

NOTICE: These drawings, specifications, or other data (1) are, and (2) remain the property of Danbury-Sigma Corporation. (3) shall be returned upon request, and (4) are confidential and are not to be disclosed to any third party without the express written consent of Danbury-Sigma Corporation. The numbering of these drawings, specifications, or other data by Danbury-Sigma Corporation, or by any other person, in excess of one number shall be the property of Danbury-Sigma Corporation, and no other person, shall have the right to use, copy, or otherwise, that may in any way be related to or disclosed by these drawings, specifications, or other data.

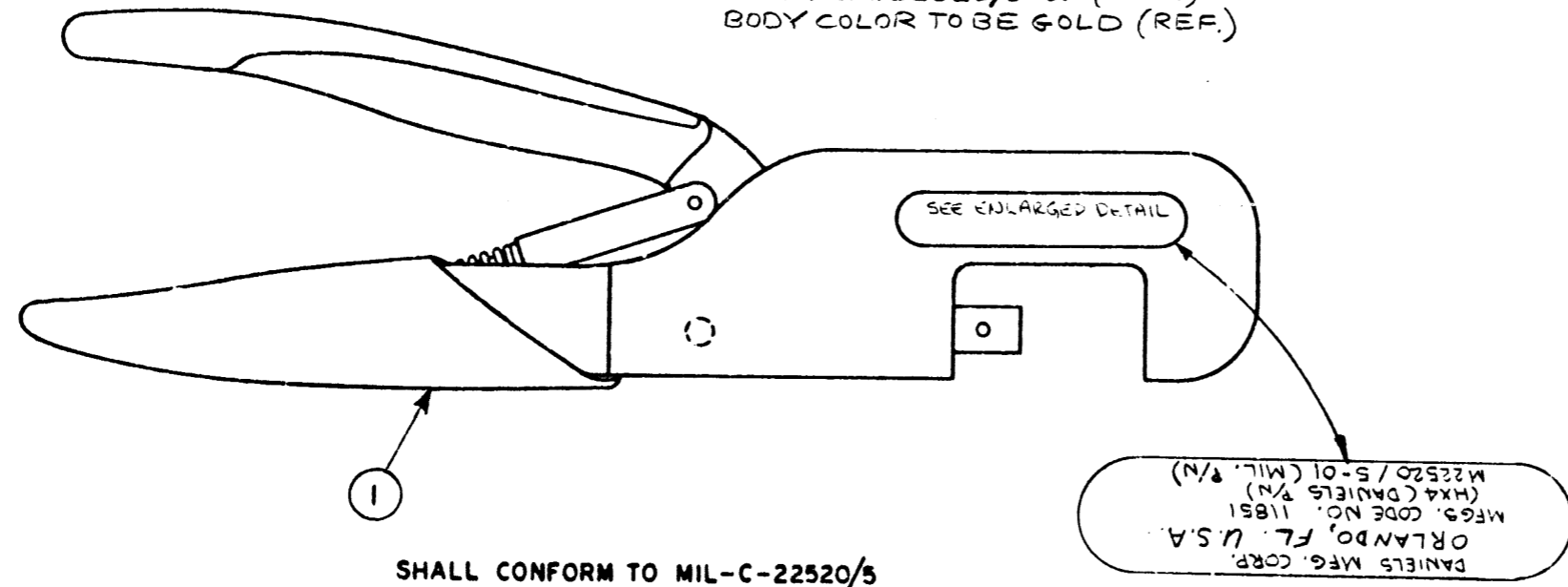
DO NOT SCALE THIS DRAWING

REMOVE ALL BURRS, BREAK CORNERS AND SHARP EDGES .005 MAXIMUM UNLESS OTHERWISE SPECIFIED.

NOTES:
 1. MAY BE PURCHASED FROM:
DANIELS TOOL CO.
 ORLANDO, FL. U.S.A.
 AS DANIELS TOOL FRAME HX4

PART NO. M22520/5-01 (REF.)
 BODY COLOR TO BE GOLD (REF.)

REVISIONS				
ZONE	SYM.	DESCRIPTION	DATE	ECO NO. / APPR.
	A	ADDED COLOR SPEC.	1-3-74	20138 OR
	B	REVISED ENLARGED LABEL	1-27-77	24971 <i>ttt</i>
	C	DEL ITEM 2; UPDATE ADDRESS	1/23/79	42004 <i>cpm</i>



SHALL CONFORM TO MIL-C-22520/5

2. FRAME TO BE PACKAGED IN A CARDBOARD BOX WITH DIE INSTALLATION INSTRUCTIONS, BOTH SUPPLIED BY DANIELS MFG. CORP. AMPHENOL PART NO. MUST APPEAR ON TOP SIDE OF BOX.
 SIZE: 11 1/2" LGH. X 3" WIDE X 1 1/8" HT.

227-944
 DRAWING NUMBER *C*

OFFICIAL ENG. REL. 20037

UNLESS OTHERWISE SPECIFIED DIMENSIONS ARE IN INCHES TOLERANCES NOT OTHERWISE SPECIFIED ARE:		
FRACTIONS	DECIMALS	ANGLES
± 1/16"	± .005	± 1°
MATERIAL		
SPECIFICATION		
FINISH		
NEXT ASSY:	USED ON	APPLICATION

REQ'D ITEM	PART NO.	DESCRIPTION	CODE	FINISH
1	227-943	CRIMP TOOL FRAME	203	

LIST OF MATERIAL				
DRAWN BY <i>H. C. ...</i>	DATE <i>8-18-74</i>	TITLE	AMPHENOL AMPHENOL RF DIVISION 33 East Franklin St. Danbury, Conn. 06810	
CHECKED <i>H. C. ...</i>	DATE <i>8-20-74</i>	CRIMP TOOL FRAME (PACKAGED)		
ENGINEER <i>H. C. ...</i>	DATE <i>8-20-74</i>			
APPROVED <i>H. C. ...</i>	DATE <i>8-20-74</i>			
REFERENCE DRAWING NO.	CODE IDENTIFICATION	DRAWING SIZE	DRAWING NO.	ISSUE
		C	227-944	C