

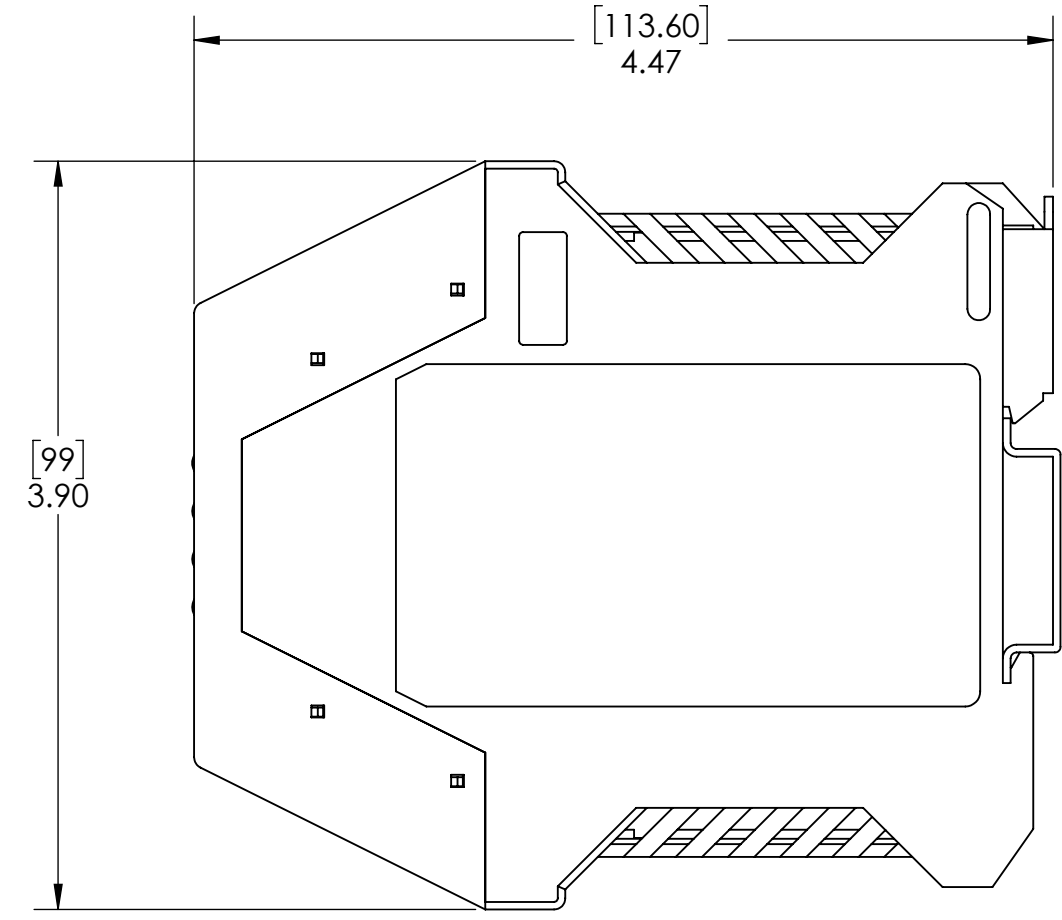
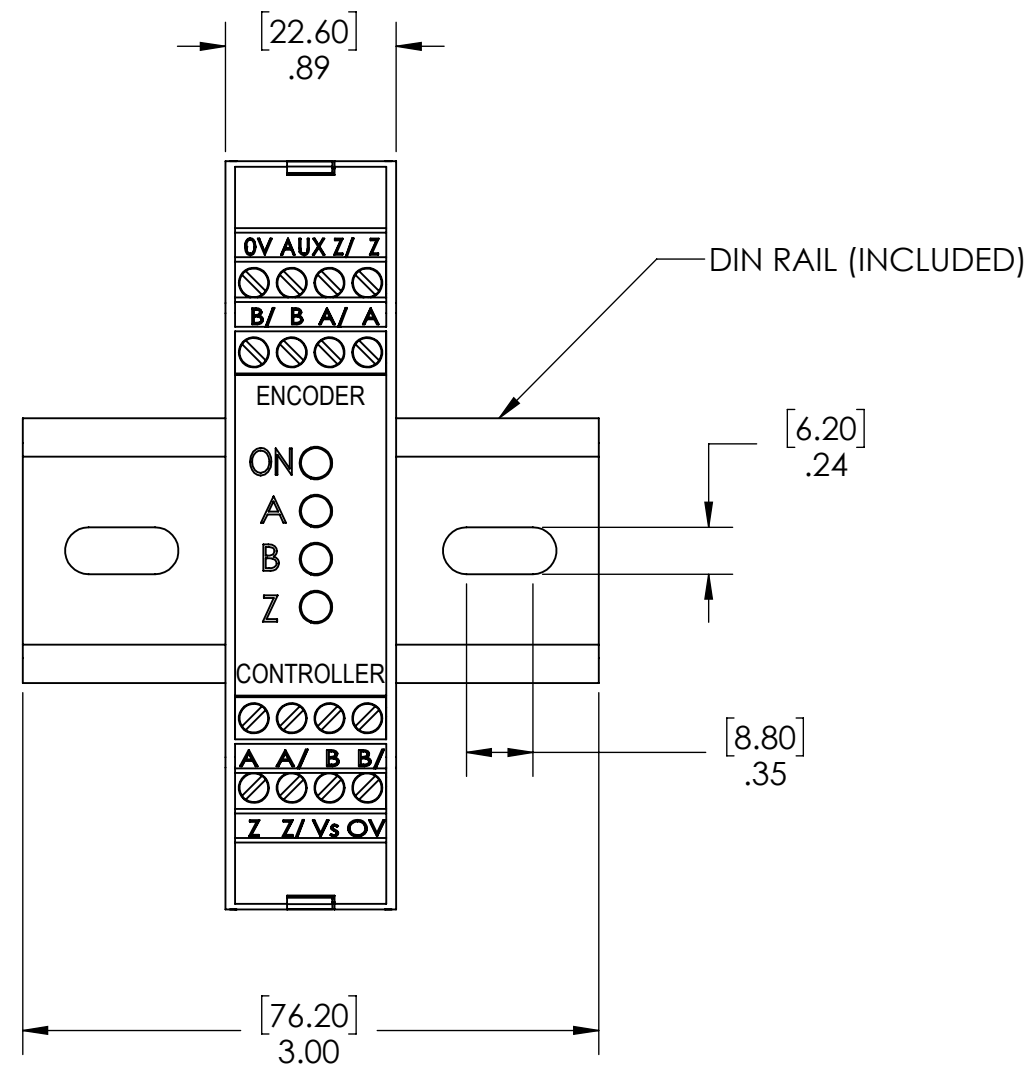
4

3

2


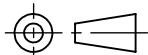
1

ZONE	REV.	REVISION DESCRIPTION	ECN NO.	DATE



NOTES (UNLESS OTHERWISE INDICATED)

MODULE TYPE	PART NO.	DATA SHEET
OPTICAL ISOLATOR MODULE	60001-TAB	02125-001
ANTI-DITHER MODULE	60003-TAB	02125-003
DIVIDE-BY MODULE	60016-TAB	09166-016

UNCONTROLLED COPY		 BEI SENSORS 1461 LAWRENCE DRIVE THOUSAND OAKS, CA 93120
FIRST ISSUE DATE: 05/07/19 DRAWN: DRC APPROVED: MFB DATE: 05/07/19	SENSATA TECHNOLOGIES PROPRIETARY AND CONFIDENTIAL. NEITHER THIS PRINT NOR THE INFORMATION CONTAINED HEREON IS TO BE USED AGAINST THE INTERESTS OF SENSATA TECHNOLOGIES OR AGAINST THE INTERESTS OF ANY OF ITS AFFILIATED COMPANIES OR WHOLLY OWNED SUBSIDIARIES.	
ECN: DATE:	INTERPRET DIMENSIONING AND TOLERANCING PER ASME Y14.5-2009. UNLESS OTHERWISE SPECIFIED DIMENSIONS ARE IN INCHES [MILLIMETERS] AND ARE INTENDED AS NOMINAL SEE PRODUCT SPECIFICATIONS FOR MORE DETAILS.	TITLE ELECTRONIC MODULE OPTICAL ISOLATOR, ANTI-DITHER, DIVIDE-BY
MATERIAL: GLASS EPOXY, POLY-PLASTIC, STEEL	DO NOT SCALE DRAWING	THIRD ANGLE PROJECTION 
		SIZE B DWG NO. 09920-001 REV. .
		SCALE 1:2 SOLIDWORKS SHEET 1 OF 1

4

3

2

1

DEVICE: PROJECT: