

# Crydom

*See full Datasheet below...*

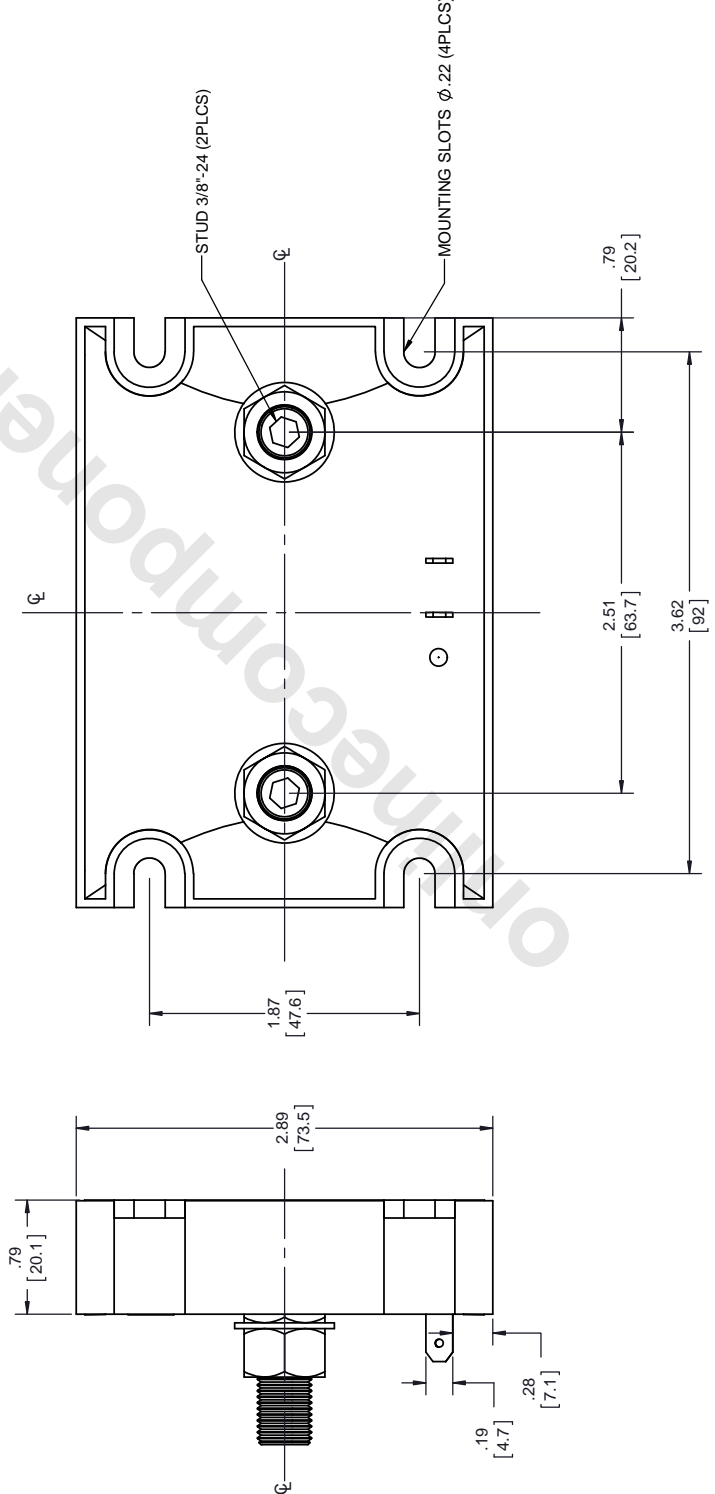
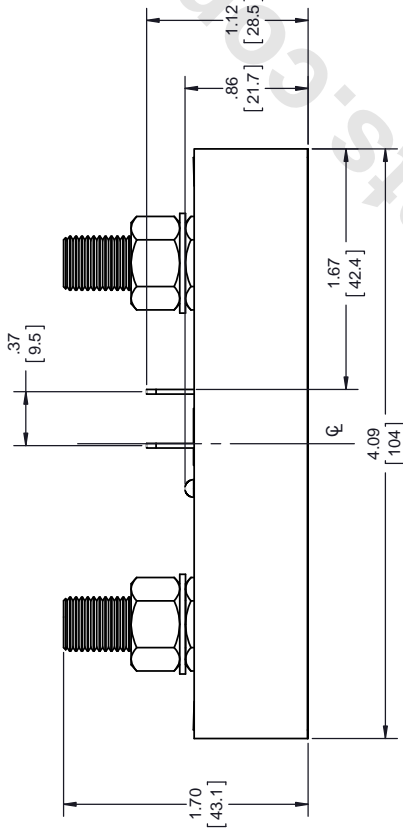
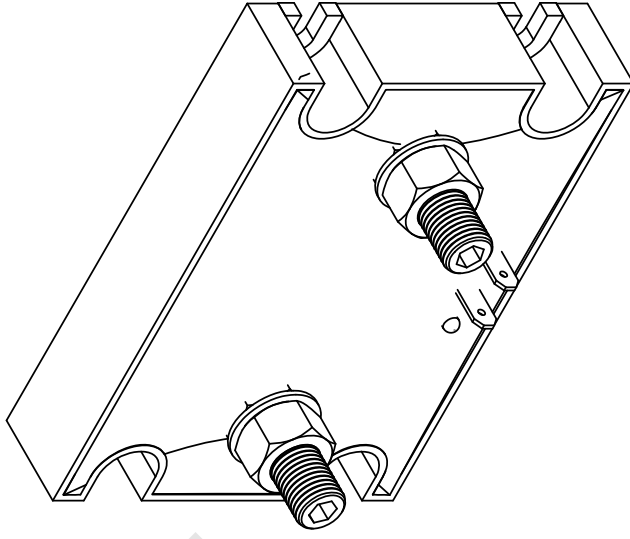
**onlinecomponents.com**  
*THE ONLINE DISTRIBUTOR OF ELECTRONIC COMPONENTS*

**BUY NOW**

 **MASTER**<sup>TM</sup>  
ELECTRONICS

**BUY NOW**

masterelectronics.com & onlinecomponents.com  
are **authorized** e-commerce distributors  
of electronic components.



Tolerances: ± 0.02 in / 0.5 mm. All dimensions are in: inches [millimeters]

onlinecomponents.com