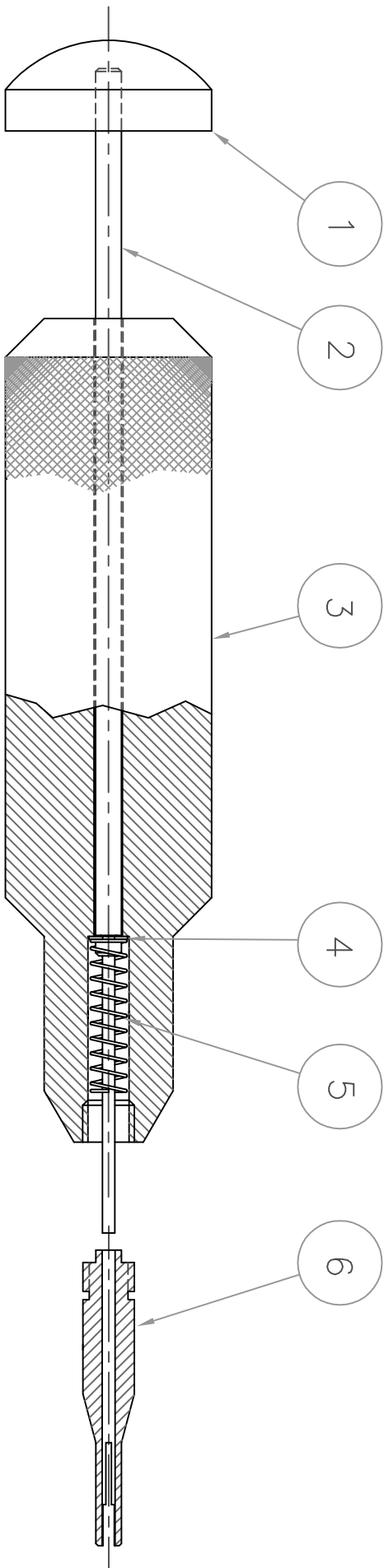


THIS IS A C.A.D. GENERATED DRAWING
DO NOT MAKE MANUAL REVISIONS TO MASTER.



ISSUE NUMBER	ORIGINAL
	①
RE-DESIGN	
F.BRIONES	AUG.12/98
	⑫



6	516-280-300-001	GUIDE FORK
5	516-280-301-005	SPRING (.180 O.D.X.75LG. .018 DIA. WIRE)
4	516-280-301-004	EXTERNAL RETAINER RING (3/16 O.D.x.015 THICK)
3	516-280-301-003	HANDLE
2	516-280-301-002	CENTER ROD
1	516-280-301-001	KNOB
ITEM	PART NUMBER	DESCRIPTION

PART NUMBER 516-280-300

516 CONTACT REMOVAL TOOL

EDAC INC
EDAC INC
TORONTO, ONTARIO
CANADA
YOUR CONNECTION TO QUALITY & SERVICE

THESE DRAWINGS AND SPECIFICATIONS
ARE THE PROPERTY OF EDAC INC. AND
SHALL NOT BE REPRODUCED, OR COPIED
OR USED AS THE BASIS FOR THE
MANUFACTURE OR SALE OF APPARATUS
WITHOUT WRITTEN PERMISSION.

ACAD REFERENCE NO. 516283

DRAWN: F.BRIONES DATE: NOV.14/97

CHECKED: DATE:

SCALE: (IN C.A.D. 1:1) SHEET 1 OF 1

DRAWING NUMBER ISSUE
516-280-300 12