

# HONEYWELL

*See full Datasheet below...*

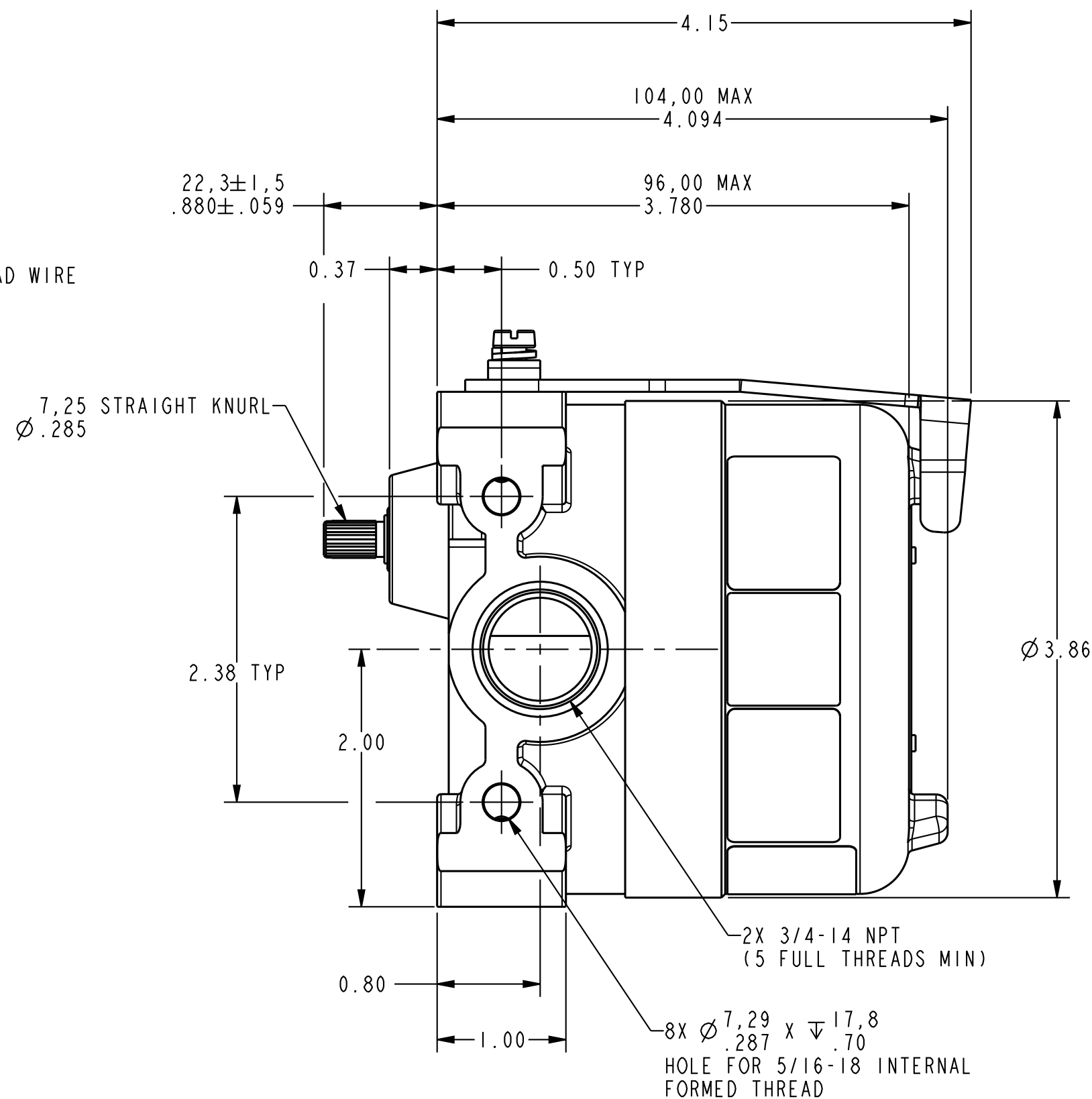
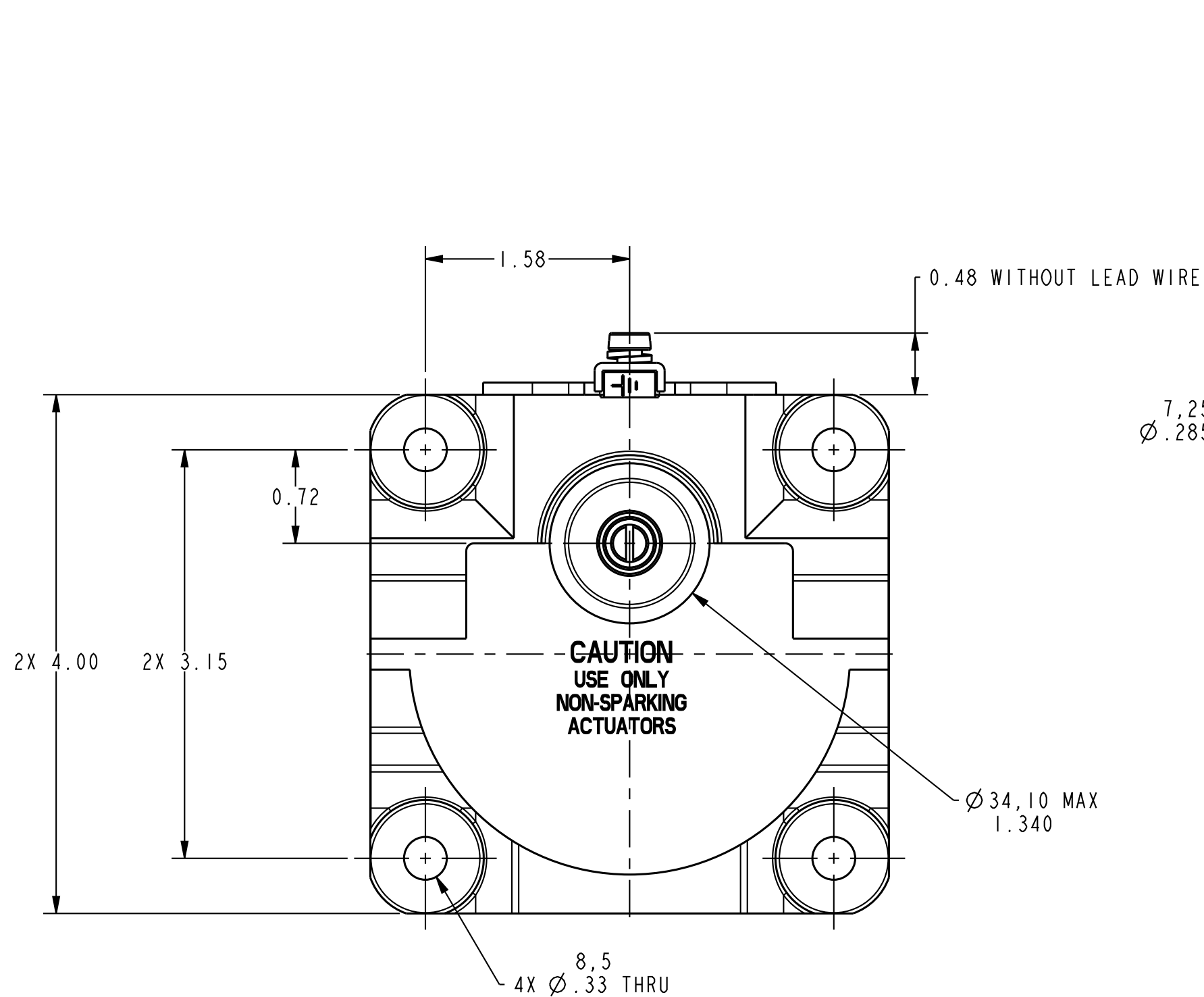
**onlinecomponents.com**  
*THE ONLINE DISTRIBUTOR OF ELECTRONIC COMPONENTS*

**BUY NOW**

 **MASTER**<sup>TM</sup>  
E L E C T R O N I C S

**BUY NOW**

masterelectronics.com & onlinecomponents.com  
are **authorized** e-commerce distributors  
of electronic components.



NOTES

- 1 - EXPLOSION PROOF - UNDERWRITERS LAB INC LISTING FOR HAZARDOUS LOCATIONS CLASS 1, GROUPS B,C AND D; CLASS 2 GROUPS E, F AND G
- 2 - EUROPEAN HAZARDOUS LOCATIONS DESIGNATION: EExd IIC T6 CATEGORY II 2 GD
- 3 - ALUMINUM ENCLOSURE FINISHED WITH BLUE AND BLACK EPOXY PAINT
- 4 - 6-32 UNC X (4.75) (.188) PAN HEAD TERMINAL SCREW (6 PER BASIC) (SEMS TERMI-LOX) (3 PER BASIC)
- 5 - CAMS MAY BE REPOSITIONED IN 7° 20' INCREMENTS
- 6 - 1 BASIC; OPERATES CLOCKWISE AND COUNTER CLOCKWISE
- 7 - FOR USE IN TEMPERATURES UP TO 85°C
- 8 - SEE 7CX CHARTS 1 AND 2 (1 DRAWING) FOR LEVER ACTUATORS
- 9 - WEIGHT: 2.49 LB (1.13 Kg) APPROX
- 10 - BRAZILIAN HAZARDOUS LOCATION DESIGNATION : Ex d IIC T6 Gb Ex tb IIIC T85°C Db IP66/67

CHARACTERISTICS	ELECTRICAL DATA
OPERATING TORQUE----- .922 LB FT (1.25 Nm) MAX	CONTACT ARRANGEMENT D P D T
RELEASE TORQUE----- .083 LB FT (0.113 Nm) MIN	L159
PRETRAVEL----- 30° MAX	10A-125 OR 250 VAC
DIFFERENTIAL TRAVEL----- 25° MAX	0.3A-125 VDC; 0.15A-250 VDC
OVERTRAVEL----- 75° MIN	

UNLESS OTHERWISE SPECIFIED TOLERANCES ARE:  US (inch) CUSTOMARY  SI (mm) METRIC

NO PLACE	X	±.040	±1
ONE PLACE	.X	±.030	±0.4
TWO PLACE	.XX	±.015	±0.15
THREE PLACE	.XXX	±.005	±
ANGLES		±	±
RAW MATERIAL-COMMERCIAL STANDARD			

THIRD ANGLE PROJECTION

Ex CE UL TMMETRO

DRAWN	DVM	17MAY04
CHECK	AK	17MAY04
THIS DRAWING COVERS A PROPRIETARY ITEM AND IS THE PROPERTY OF HONEYWELL. THIS DRAWING IS NOT TO BE COPIED OR USED WITHOUT THE PERMISSION OF HONEYWELL.		
DIMENSIONS ARE TO BE MET BEFORE PROTECTIVE COATINGS ARE APPLIED		
3D PTC	ASME Y14.5M-1994	

<b>Honeywell</b>			
TITLE <b>SWITCH, ENCLOSED</b>			
SIZE	DWG TYPE	DRAWING NAME	REV
<b>C</b>	<b>I</b>	<b>14CXIE</b>	<b>B</b>
SCALE	FULL	WEIGHT	SHEET 1 OF 1