

# HONEYWELL

*See full Datasheet below...*

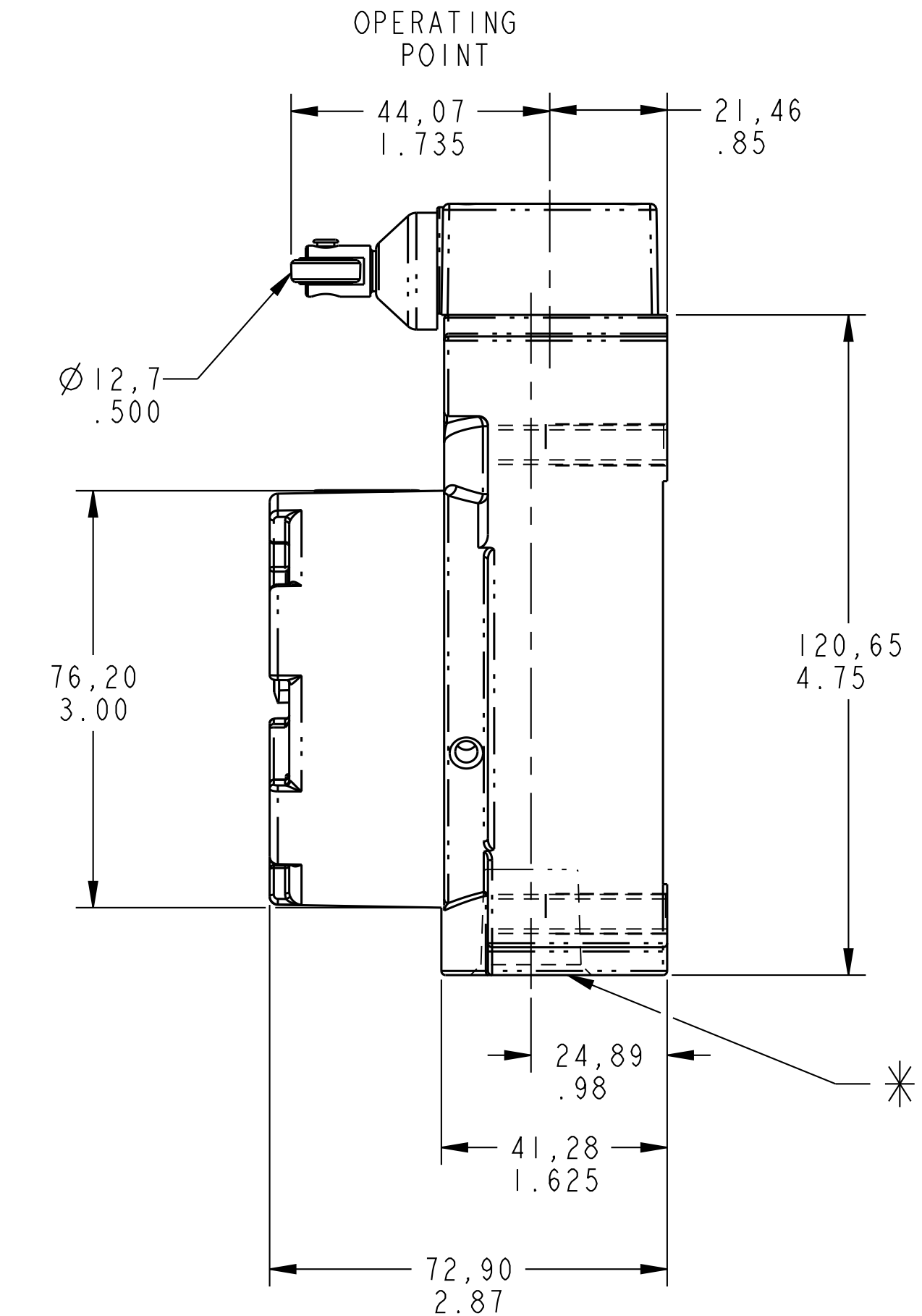
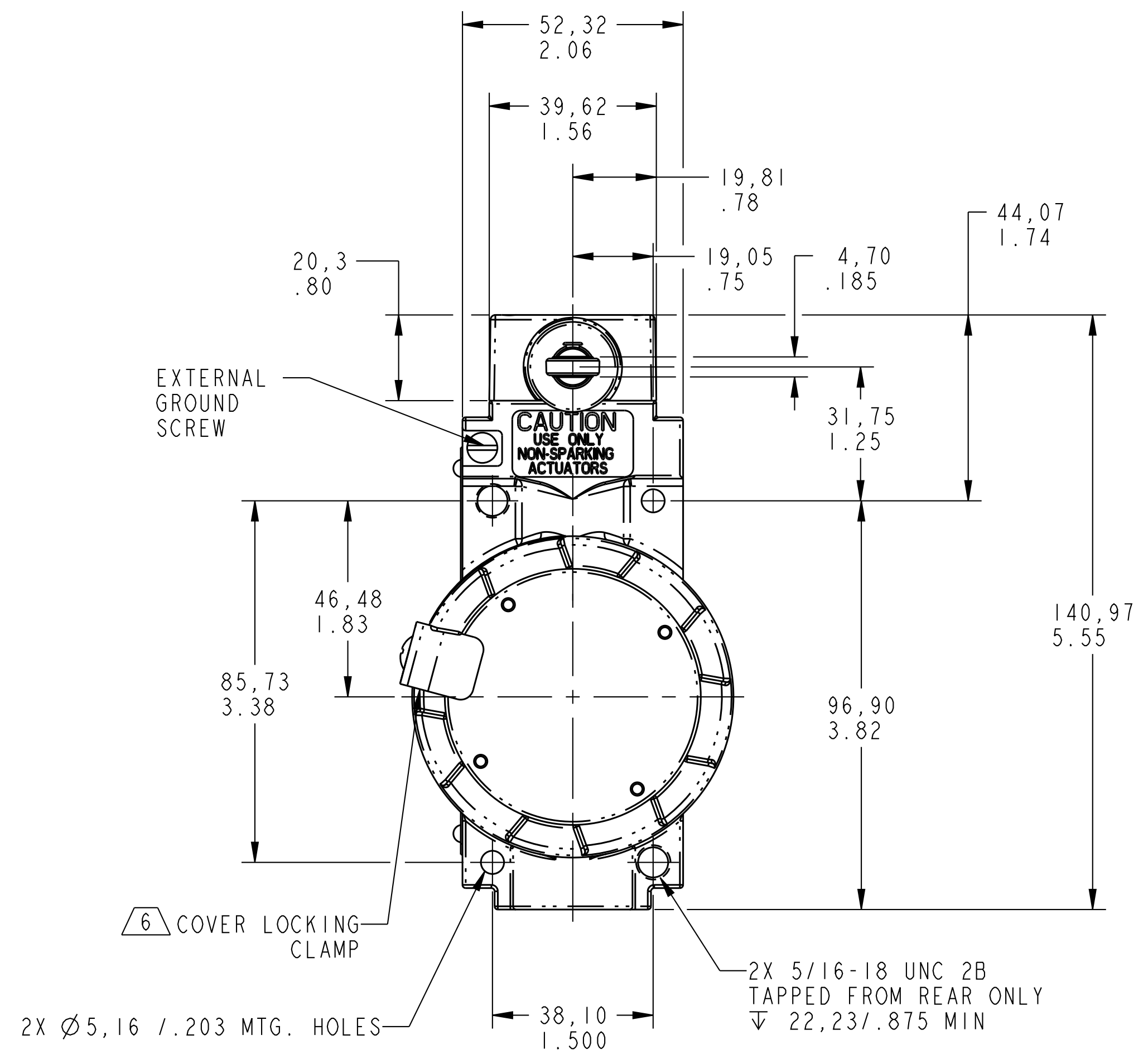
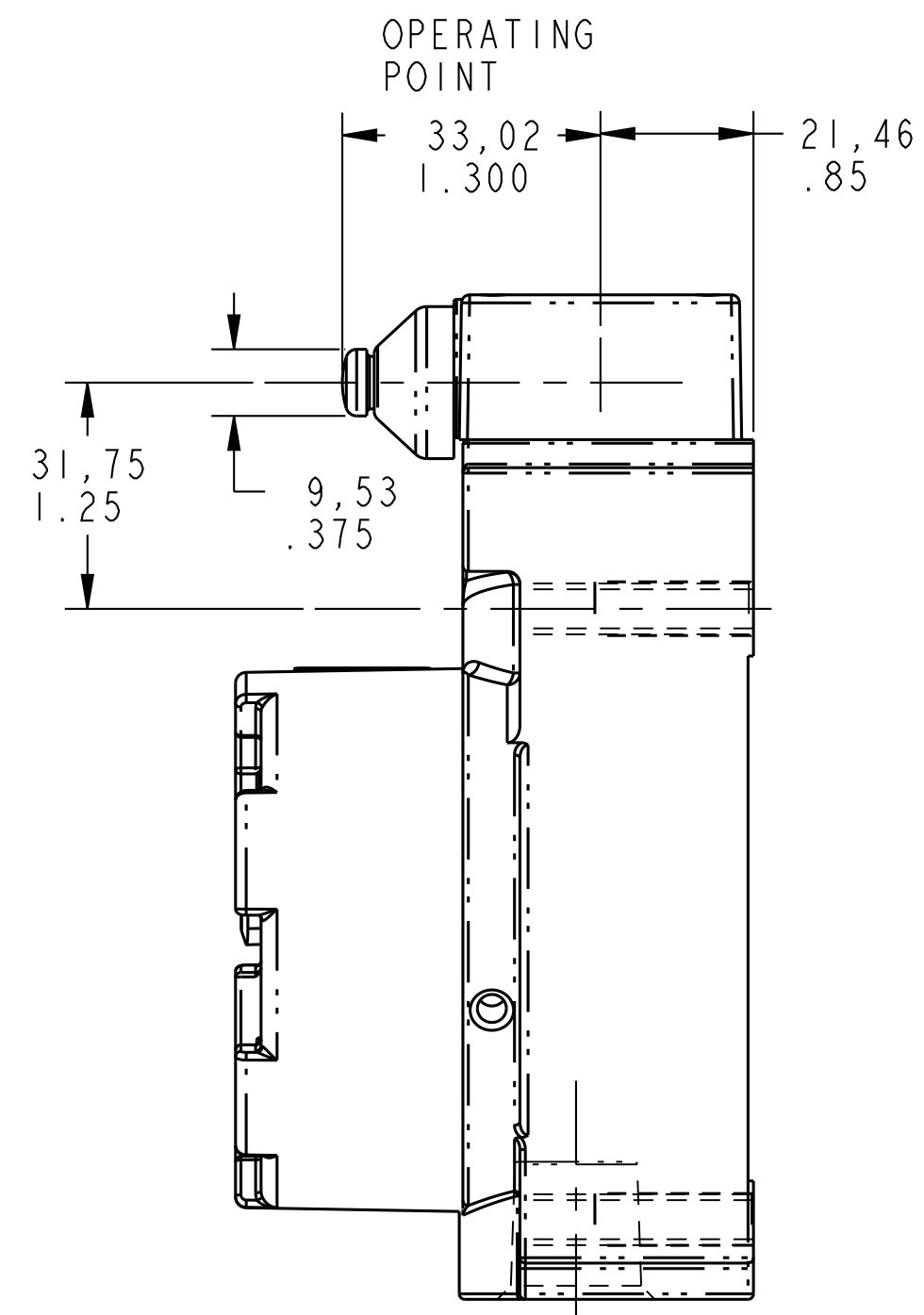
**onlinecomponents.com**  
*THE ONLINE DISTRIBUTOR OF ELECTRONIC COMPONENTS*

**BUY NOW**

 **MASTER**<sup>TM</sup>  
E L E C T R O N I C S

**BUY NOW**

masterelectronics.com & onlinecomponents.com  
are **authorized** e-commerce distributors  
of electronic components.

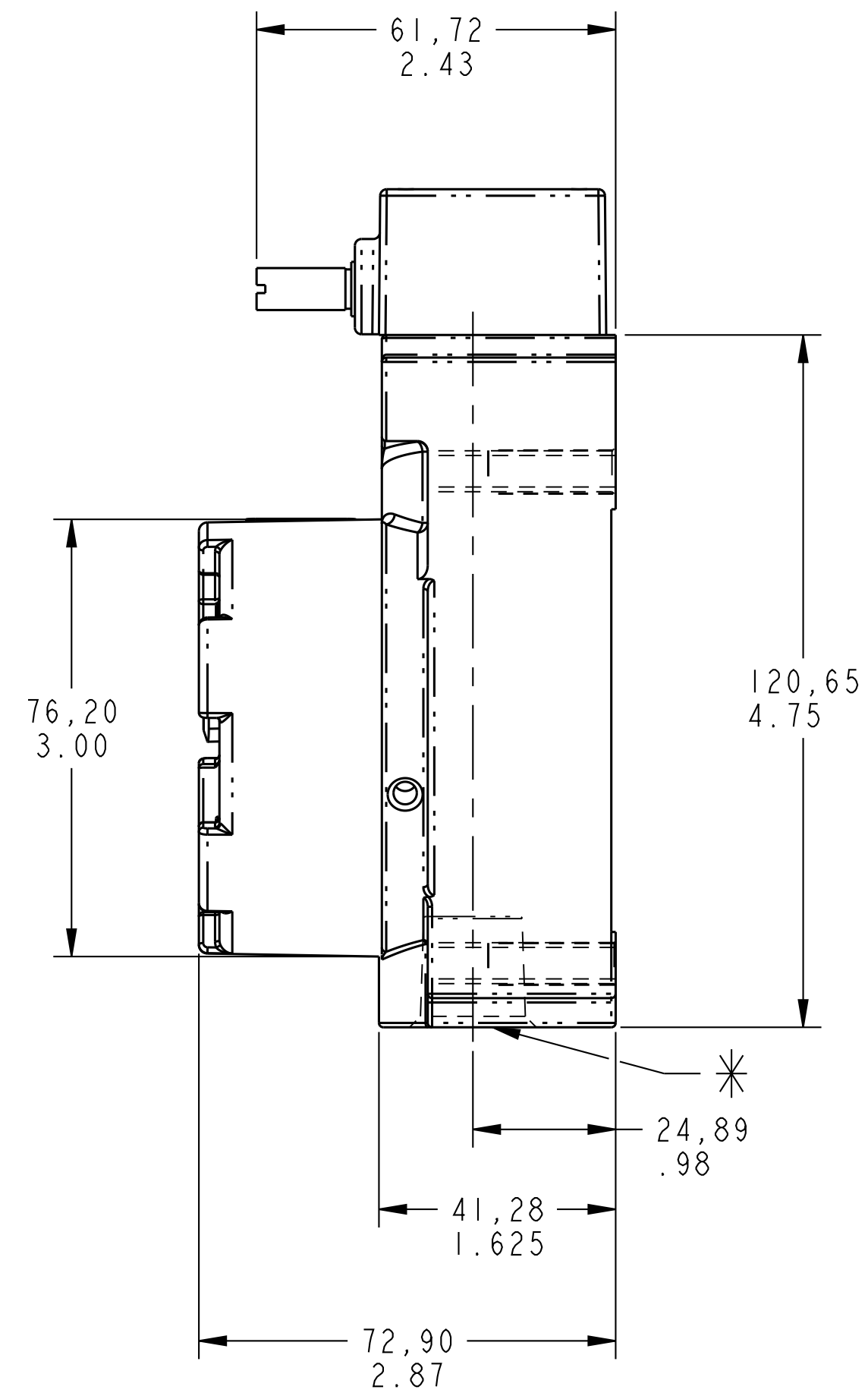
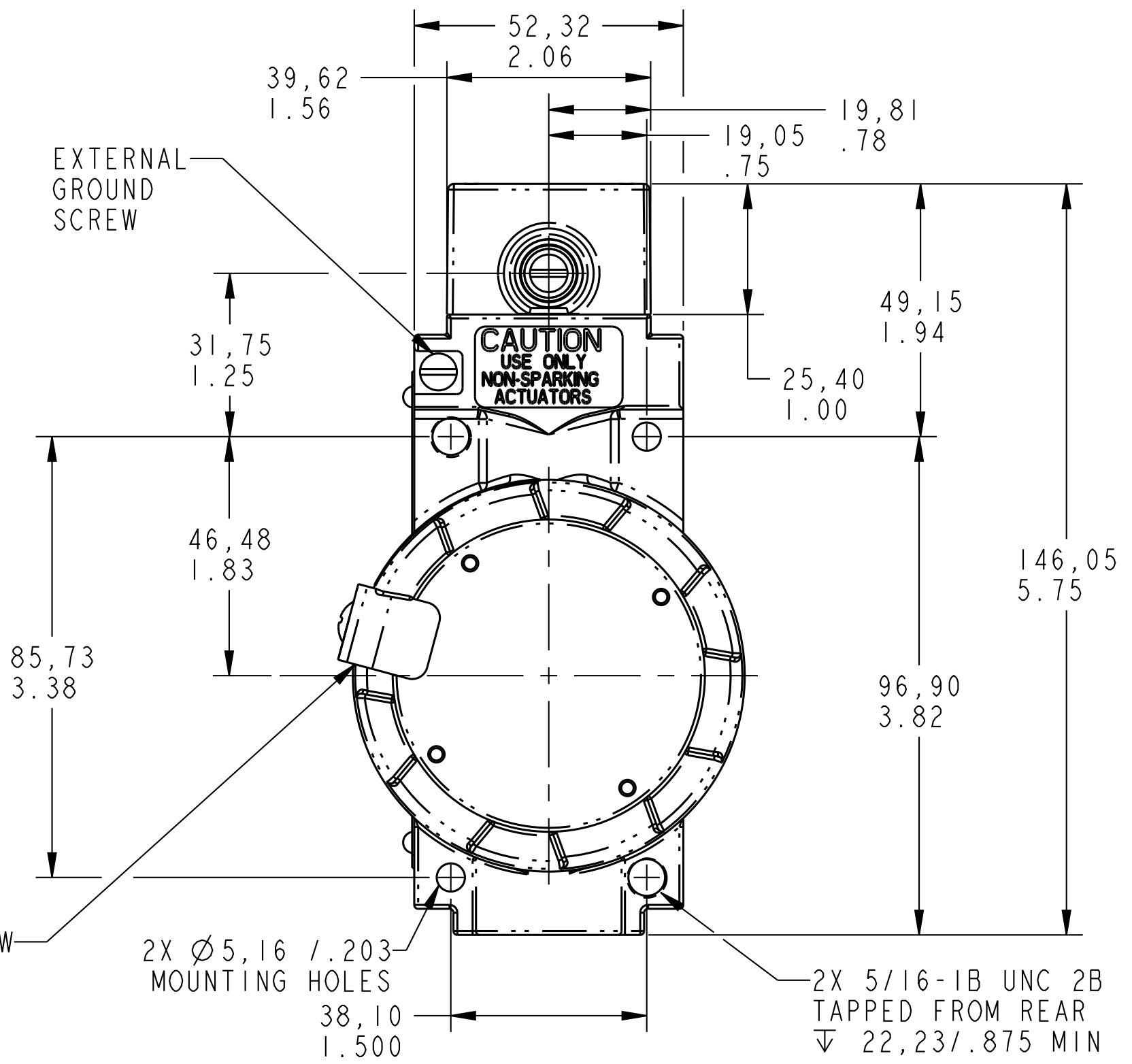
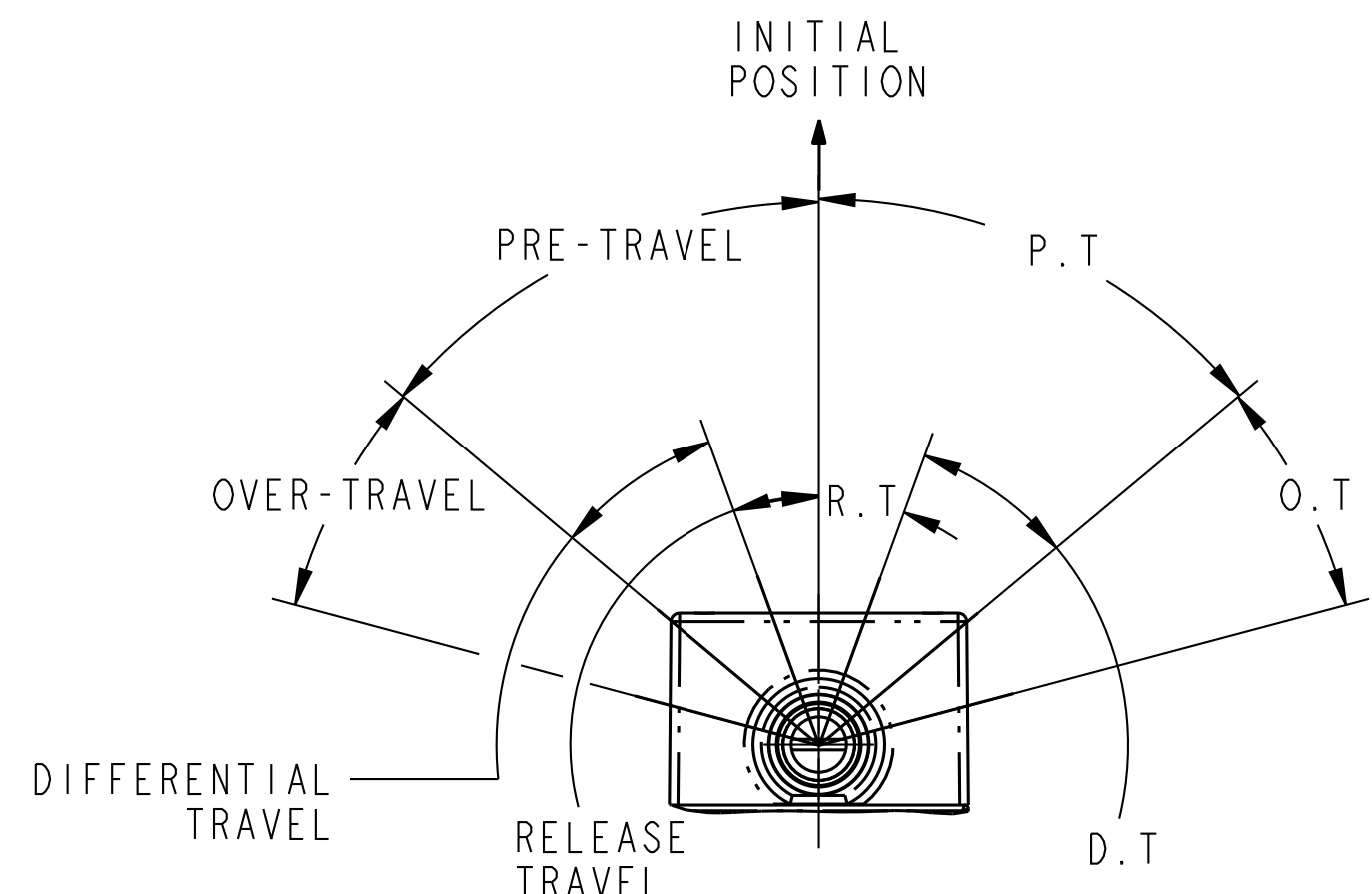


\* TYPE BX2E (3&7) 1/2 -14 NPT CONDUIT  $\frac{3}{3}$   
 TYPE BX2E(1&4) 3/4 - 14 NPT CONDUIT  $\frac{3}{3}$   
 TYPE BX24E(1 THRU 4) 20MM CONDUIT  $\frac{3}{3}$

\* TYPE BX2E (3&7) 1/2 -14 NPT CONDUIT  $\frac{3}{3}$   
 TYPE BX2E(1&4) 3/4 - 14 NPT CONDUIT  $\frac{3}{3}$   
 TYPE BX24E(1 THRU 4) 20MM CONDUIT  $\frac{3}{3}$

- NOTES
- CONSTRUCTED IN ACCORDANCE WITH EN-50014 / EN - 50018 GROUP II C
  - VOLUME 27 CU.IN(442 CU.CM) APPROX.
  - EXPLOSION PROOF - UNDER WRITERS LAB INC. LISTED FOR HAZARDOUS LOCATIONS CLASS I, GROUPS B,C AND D; CLASS II GROUPS E,F, AND G.
  - SIRA CERTIFIED PRODUCTS. NO MODIFICATIONS PERMITTED WITHOUT REFERENCE TO SIRA.
  - CONFORMS TO Ex d IIC T6 Gb Ex tb IIIC T85°C Db  
 CE 0518  
 SIRA 00ATEX1037X  
 CAT 112 GD.
  - PART FURNISHED UNASSEMBLED
  - APPROVED FOR INMETRO CERTIFICATION PER TÜV 14.0556 X CONFORMS TO  
 Ex d IIC T6 Gb  
 Ex tb IIIC T85 C Db  
 IP6X
  - APPROVED FOR RUSSIAN CUSTOM UNION CERTIFICATION PER НАННО <<ЦСВЭ>> РОСС RU.0001.11ГБ05  
 A. CONFORMS TO  
 IEx d IIC T6 Gb X  
 Ex tb IIIC T85°C Db  
 B. APPLICABLE HEALTH AND SAFETY STANDARDS  
 GOCT P MЭК 60079-0-2011  
 GOCT IEC 60079-1-2011  
 GOCT P MЭК 60079-31 2010

DESIGN UNITS: MM INCH	DRAWN	KRB	07 AUG 09	<b>Honeywell</b>
TOLERANCES UNLESS NOTED: FOR INCH UNITS	CHECK	RJ	07 AUG 09	
NO PLACES .x ± .400	THIS DRAWING COVERS A PROPRIETARY ITEM AND IS THE PROPERTY OF HONEYWELL. THIS DRAWING IS NOT TO BE COPIED OR USED WITHOUT THE PERMISSION OF HONEYWELL.			TITLE
ONE PLACE .xx ± .030				<b>SWITCH, EXPLOSION PROOF</b>
TWO PLACE .xxx ± .015				SIZE TYPE CAGE CODE DRAWING NAME
THREE PLACE .xxx ± .005				<b>D I - BX SERIES CHART 4</b>
ANGLES x ± 3°				REV
THIRD ANGLE PROJECTION	INTERPRET PER ASME Y14.5M-1994 OTHER HONEYWELL ENGINEERING STANDARDS MAY APPLY			<b>E</b>
	Pro/ENGINEER 3D SCALE 1:1			SHEET 1 OF 3



16 AMP CONT. ELECTRICAL RATINGS

A.C VOLTAGE					POWER FACTOR
	SINGLE POLE		DOUBLE POLE		
	MAKE	BREAK	MAKE	BREAK	
120	60	6	30	3	.35
240	30	3	15	1.5	.35
480	15	1.5	7.5	.75	.35
600	12	1.2	6	.6	.35
A300/120V	N/A	N/A	60	6	.30
A300/240V	N/A	N/A	30	3	.30

D.C VOLTAGE	MAKE & BREAK INDUCTIVE	RESISTIVE
120	0.25	0.80
240	0.15	0.40
Q300/125V	0.55	N/A
Q300/250V	0.27	N/A

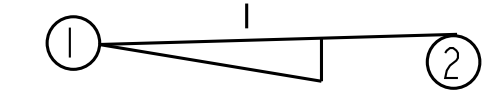
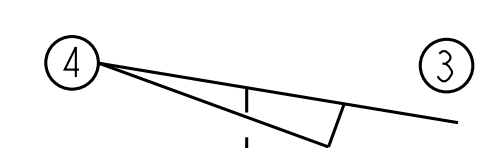
6 COVER CLAMPING SCREW

2X Ø5.16 / .203 MOUNTING HOLES 38.10 (1.500)  
 2X 5/16-18 UNC 2B TAPPED FROM REAR 22,23/.875 MIN

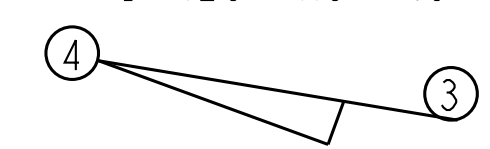
\* TYPE BX2(A,H,L,M,N,P OR R) (3&7) 1/2 - 14 NPT CONDUIT  
 TYPE BX2(A,H,L,M,N,P OR R) (1&4) 3/4 - 14 NPT CONDUIT  
 TYPE BX24(A,H,L,M,N,P OR R) (1 THRU 4) 20MM CONDUIT

WIRING BASIC SWITCH SAME POLARITY MUST BE OBSERVED( NOT APPLICABLE TO 3Y/1X CIRCUIT)

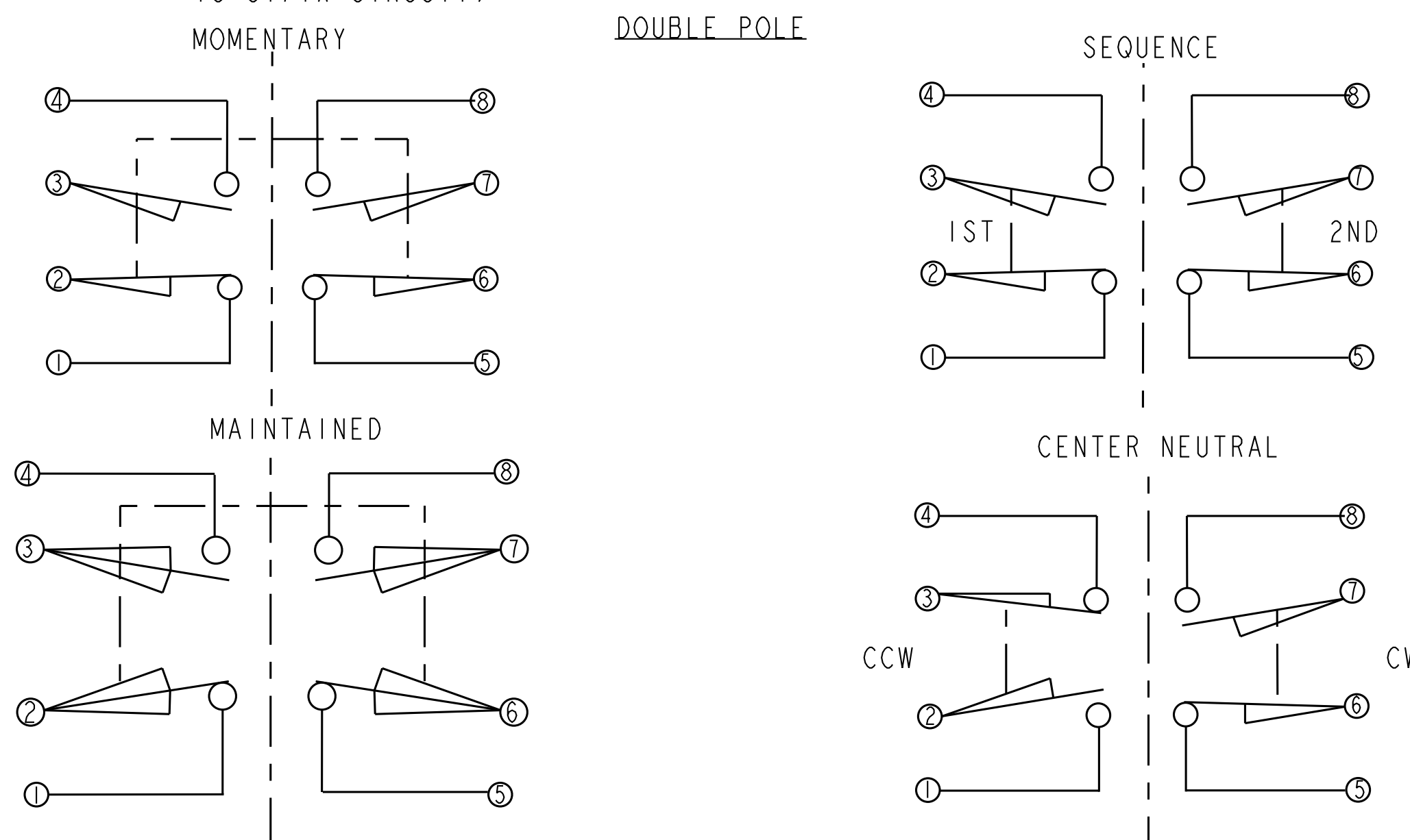
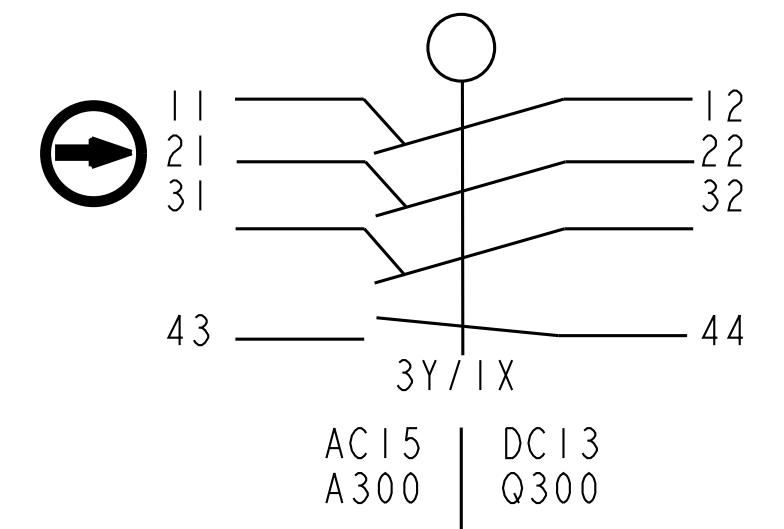
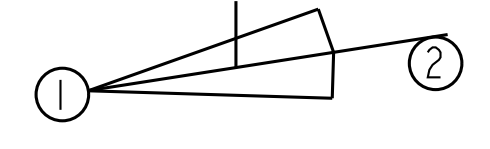
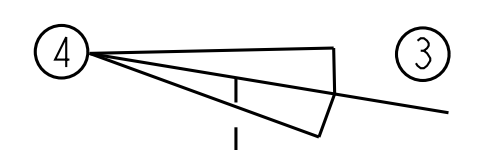
SINGLE POLE MOMENTARY



DIRECT ACTING



MAINTAINED



NOTES

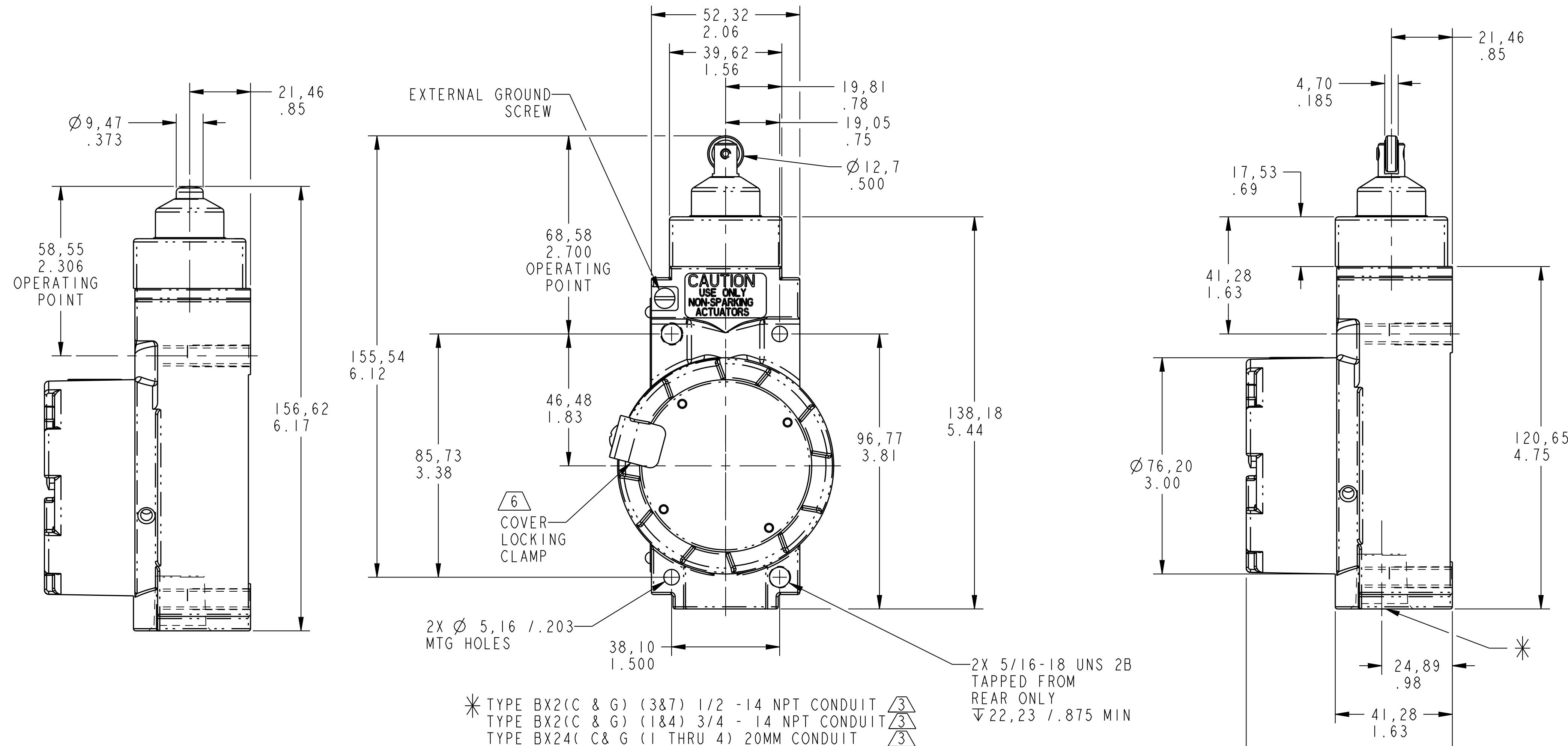
- CONSTRUCTED IN ACCORDANCE WITH EN-50014 / EN - 50018 GROUP II C
- VOLUME 27 CU.IN(442 CU.CM) APPROX. TOP AND SIDE PLUNGER.
- EXPLOSION PROOF - UNDER WRITERS LAB INC. LISTED FOR HAZARDOUS LOCATIONS CLASS I, GROUPS B,C AND D, CLASS II GROUPS E,F, AND G.
- SIRA CERTIFIED PRODUCTS. NO MODIFICATIONS PERMITTED WITHOUT REFERENCE TO SIRA.
- CONFORMS TO Ex d IIC T6 Gb Ex tb IIIC T85°C Db
- CE 0518 SIRA 00ATEX1037X CAT 112 GD.
- PART FURNISHED UNASSEMBLED
- APPROVED FOR INMETRO CERTIFICATION PER TÜV 14.0556 X CONFORMS TO Ex d IIC T6 Gb Ex tb IIIC T85 C Db IP6X
- APPROVED FOR RUSSIAN CUSTOM UNION CERTIFICATION PER НАННО <<УСБЭ>> РОСС RU.0001.11Г505
  - CONFORMS TO IEx d IIC T6 Gb X Ex tb IIIC T85°C Db
  - APPLICABLE HEALTH AND SAFETY STANDARDS GOCT P M3K 60079-0-2011 GOCT IEC 60079-1-2011 GOCT P M3K 60079-31 2010

OPERATING CHARACTERISTICS	BXA MOMENTARY		BXR MOMENTARY LOW TORQUE		BXN MAINTAINED	BXP MOMENTARY LOW PRE TRAVEL & DIFFERENTIAL TRAVEL		BXH MOMENTARY LOW PRE TRAVEL & LOW TORQUE		BXL SEQUENCE DOUBLE POLE ONLY	BXM CENTER NEUTRAL DOUBLE POLE ONLY
	SINGLE POLE 5°	DOUBLE POLE 7°	SINGLE POLE 5°	DOUBLE POLE 7°		SINGLE POLE 3°	DOUBLE POLE 4°	SINGLE POLE 3°	DOUBLE POLE 4°		
PRE-TRAVEL (MAX)	15°		15°		65°	9°		9°		1ST STEP 15° 2ND STEP 10° ADDITIONAL	18°
OVERTRAVEL (MIN)	60°		60°		20°	68°		68°		48°	57°
DIFFERENTIAL TRAVEL (MAX)	75°		75°		40°	75°		75°		5°	10°
TOTAL TRAVEL (REF)	75°		75°		90°	75°		75°		75°	75°
OPERATING TORQUE (MAX)	.454 N/M 4 IN LBS		.193 N/M 4 IN LBS		.454 N/M 4 IN LBS	.454 N/M 4 IN LBS		.193 N/M 1.7 IN LBS		.454 N/M 4 IN LBS	.454 N/M 4 IN LBS
FULL TRAVEL TORQUE (MAX)	.454 N/M 4 IN LBS		.193 N/M 1.7 IN LBS		-	.454 N/M 4 IN LBS		.193 N/M 1.7 IN LBS		.454 N/M 4 IN LBS	.454 N/M 4 IN LBS

THIS DRAWING COVERS A PROPRIETARY ITEM AND IS THE PROPERTY OF HONEYWELL. THIS DRAWING IS NOT TO BE COPIED OR USED WITHOUT THE PERMISSION OF HONEYWELL.

**Honeywell**

SIZE	TYPE	CAGE CODE	DRAWING NAME	REV
D	I	-	BX SERIES CHART 4	E
SCALE 1:1				SHEET 2 OF 3



\* TYPE BX2(C & G) (3&7) 1/2 -14 NPT CONDUIT  $\Delta 3$   
 TYPE BX2(C & G) (1&4) 3/4 - 14 NPT CONDUIT  $\Delta 3$   
 TYPE BX24(C & G (1 THRU 4) 20MM CONDUIT  $\Delta 3$

OPERATING POINTS GIVEN IN RELATION TO MOUNTING HOLES

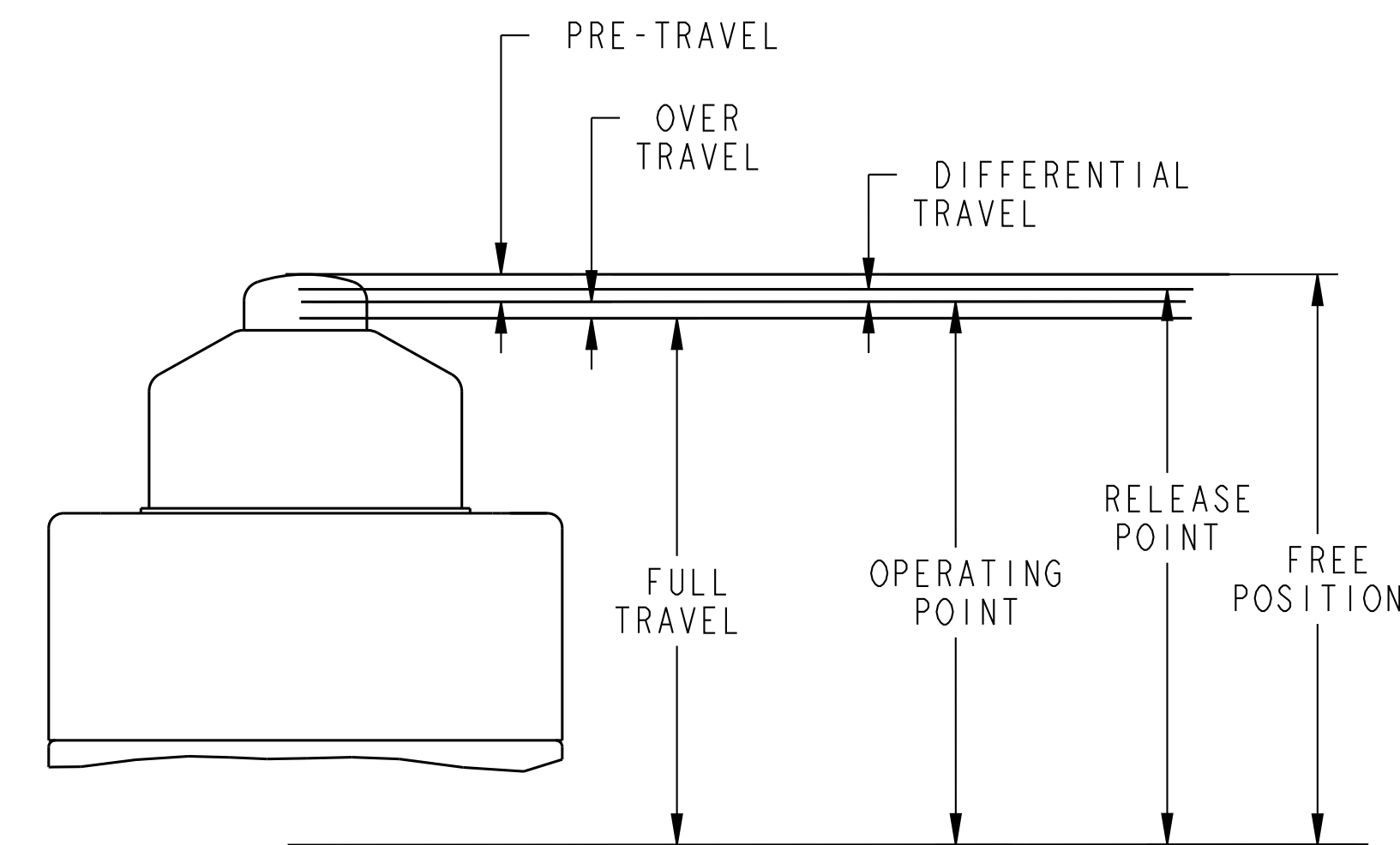
**TOP PLUNGER TYPES**

OPERATING CHARACTERISTICS	BXC PLUNGER		BXD ROLLER PLUNGER		SEQUENCE BASIC BXC & BXD		BXG
	SINGLE POLE	DOUBLE POLE	SINGLE POLE	DOUBLE POLE	0,38/.015 EACH STEP		
PRE-TRAVEL(MAX)	1,79 / .07		1,79 / .07		1ST STEP 1,79/.070 2ND STEP 0,41/.015 MIN ADDITIONAL.		1,79 / .070
OVERTRAVEL(MIN)	4,83 / .190		4,83 / .190		4,32 / .170		4,83 / .190
DIFFERENTIAL TRAVEL(MAX)	SINGLE POLE 0,38 / .015	DOUBLE POLE 0,51 / .020	SINGLE POLE 0,38/.015	DOUBLE POLE 0,51 / .020	0,38/.015 EACH STEP		0,51 / .020
OPERATING POINT	58,55 $\pm 0,76$ / 2.305 $\pm 0.030$		68,58 $\pm 1,02$ / 2.700 $\pm 0.040$		46,10 $\pm 0,76$ / 1.815 $\pm 0.030$ 53,21 / 2.095 MIN. 56,13 $\pm 1,02$ / 2.210 $\pm 0.040$ 59,56 / 2.345 MAX.		58,55 $\pm 0,76$ / 2.305 $\pm 0.030$
OPERATING FORCE(MAX)	17.86 N 4 LBS		17.86 N 4 LBS		17.86 N 4 LBS		17.86 N 4 LBS
FULL OVERTRAVEL FORCE(MAX)	31.25 N 7 LBS		31.25 N 7 LBS		31.25 N 7 LBS		31.25 N 7 LBS

OPERATING POINT GIVEN IN RELATION TO CENTER OF HEAD

**SIDE PLUNGER TYPES**

OPERATING CHARACTERISTICS	BXE PLUNGER		BXF ROLLER PLUNGER		SEQUENCE BASIC	
	BXE	BXF	BXE	BXF	BXE	BXF
PRE-TRAVEL(MAX)	2,54 / .100		2,54 / .100		1ST STEP 2,54 / .100 2ND STEP 0,51 / .020 MIN ADDITIONAL.	
OVERTRAVEL(MIN)	4,83 / .190		4,83 / .190		4,32 / .170	
DIFFERENTIAL TRAVEL(MAX)	1,14 / .045		1,14 / .045		0,64 / .025 EACH STEP	
OPERATING POINT	33,02 $\pm 0,76$ / 1.300 $\pm 0.030$		44,07 $\pm 1,02$ / 1.735 $\pm 0.040$		33,27 $\pm 0,76$ / 1.310 $\pm 0.030$ 44,32 $\pm 1,02$ / 1.745 $\pm 0.040$	
OPERATING FORCE(MAX)	26.79 N 6 LBS		26.79 N 6 LBS		26.79 N / 6 LBS	
FULL OVERTRAVEL FORCE(MAX)	26.79 N 6 LBS		26.79 N 6 LBS		26.79 N / 6 LBS	



**NOTES**

- CONSTRUCTED IN ACCORDANCE WITH EN-50014 / EN - 50018 GROUP II C
- VOLUME 27 CU.IN(442 CU.CM) APPROX. TOP AND SIDE PLUNGER
- EXPLOSION PROOF - UNDER WRITERS LAB INC. LISTED FOR HAZARDOUS LOCATIONS CLASS I, GROUPS B,C AND D, CLASS II GROUPS E,F, AND G.
- SIRA CERTIFIED PRODUCTS. NO MODIFICATIONS PERMITTED WITHOUT REFERENCE TO SIRA.
- CONFORMS TO Ex d IIC T6 Gb Ex tb IIIC T85°C Db  
**CE 0518**  
 SIRA 00ATEX1037X  
 CAT II 2 GD.
- PART FURNISHED UNASSEMBLED
- APPROVED FOR INMETRO CERTIFICATION PER TÜV 14.0556 X CONFORMS TO  
 Ex d IIC T6 Gb  
 Ex tb IIIC T85 C Db  
 IP6X
- APPROVED FOR RUSSIAN CUSTOM UNION CERTIFICATION PER НАИИО <<ЦБЭ>> РОСС RU.0001.11ГБ05  
 A. CONFORMS TO  
 IEx d IIC T6 Gb X  
 Ex tb IIIC T85°C Db  
 B. APPLICABLE HEALTH AND SAFETY STANDARDS  
 ГОСТ P M3K 60079-0-2011  
 ГОСТ IEC 60079-1-2011  
 ГОСТ P M3K 60079-31 2010

THIS DRAWING COVERS A PROPRIETARY ITEM AND IS THE PROPERTY OF HONEYWELL. THIS DRAWING IS NOT TO BE COPIED OR USED WITHOUT THE PERMISSION OF HONEYWELL.

**Honeywell**

SIZE	TYPE	CAGE CODE	DRAWING NAME	REV
D	I	-	BX SERIES CHART 4	E
SCALE 1:1				SHEET 3 OF 3