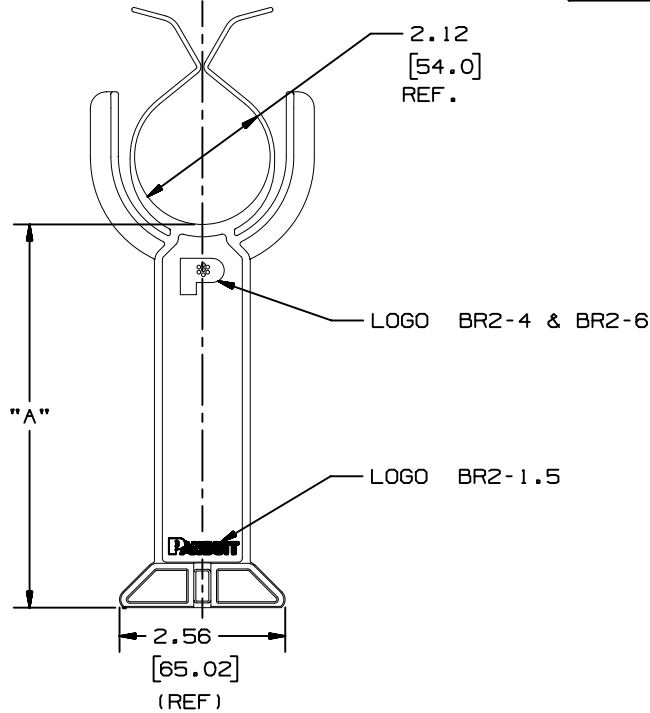
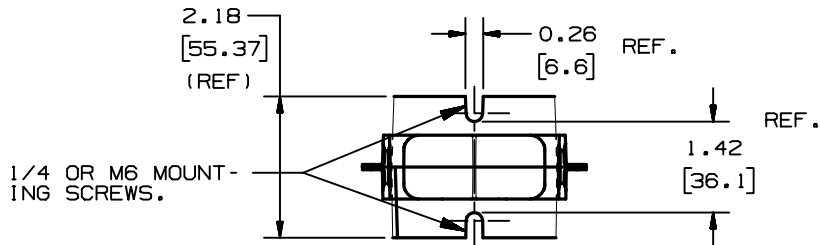


THIS COPY IS PROVIDED ON A RESTRICTED BASIS AND IS NOT TO BE USED IN ANY WAY DETRIMENTAL TO THE INTERESTS OF PANDUIT CORP.



PANDUIT PART NUMBER*	"A" IN. / (MM)	WEIGHT lbs/10 pcs (g)/10 pcs	MAXIMUM CABLE DIA. IN. (MM)
BR2-1.5-X	1.59 (40.4)	1.56 (707)	2.00 (50.8)
BR2-4-X	4.06 (103.1)	2.08 (943)	
BR2-6-X	6.02 (152.9)	2.34 (1060)	

NOTES:

- SEE CURRENT PRICE SHEET FOR PART NUMBER SUFFIX DESIGNATION FOR PACKAGE SIZE.
- PART COLOR: BLACK

DIMENSIONS IN BRACKETS ARE METRIC [mm]	
C/D FILENAME/LAYER: G00239C0_PB_BR2_05	
CORP. TINLEY PARK, ILLINOIS	
BR2-__-X BUNDLE RETAINER	
UNLESS OTHERWISE SPECIFIED, DIMENSIONAL TOLERANCES ARE: (.X) ±0.05 (1.3) (.XX) ±0.010 (0.25) (.XX) ±0.02 (0.5) ANGLES ± 5°	UNLESS OTHERWISE SPECIFIED, ALL DIMENSIONS ARE GIVEN IN INCHES, THIRD ANGLE PROJECTION.
DRAWN BY: DWP	MAT'L: BLACK NYLON 6/6
DATE: 03/16/85	SCALE: 3/8
CW'D	DRAWING NO. GB0239C0
	DWG SIZE: A

REV	DATE	BY	CHK	DESCRIPTION	ECN - R	CUST	SUP
5	3/30/04	JAD		UPDATE DIMENSION 'A' ON BR2-4 AND BR2-6	3B0239C0	5	
4	7/21/03	JAD		REVISED MATERIAL	GB0239C0	4	
3	11/14/01	JAD		ADDED 2.56 AND 2.18 REF DIMENSIONS	GB0239C0	3	