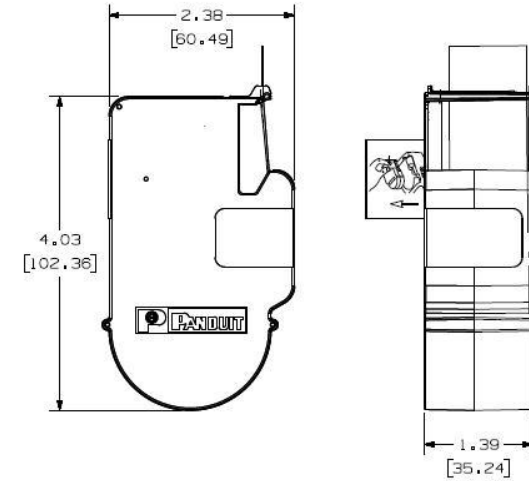
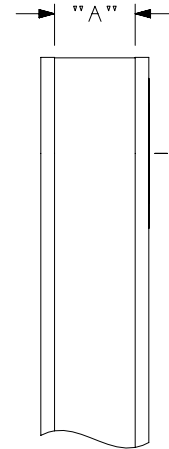


THIS COPY IS PROVIDED ON A RESTRICTED BASIS AND IS NOT TO BE USED IN ANY WAY DETRIMENTAL TO THE INTERESTS OF PANDUIT CORP.

PART NO.	PART DESCRIPTION	LABEL "A"	MATERIAL	ROLL LENGTH	
T019X000FJC-BK	BLACK ON WHITE, POLYOLEFIN TAPE	0.19 [4.83]	GMPO4	300"	
T024X000FJC-BK	BLACK ON WHITE, POLYOLEFIN TAPE	0.24 [6.10]	GMV14		
T024X000YKC-BK	BLACK ON CLEAR, POLYESTER TAPE		GMV15		
T024X000VPC-BK	BLACK ON WHITE, VINYL TAPE		GMV14		
T024X000VYC-WH	WHITE ON BLACK, VINYL TAPE	0.31 [7.87]	GMV15		
T031X000FJC-BK	BLACK ON WHITE, POLYOLEFIN TAPE		GMPO4		
T038X000FJC-BK	BLACK ON WHITE, POLYOLEFIN TAPE		GMV14		
T038X000VPC-BK	BLACK ON WHITE, VINYL TAPE				
T038X000VQC-BK	BLACK ON BLUE, VINYL TAPE		0.38 [9.65]		GMV15
T038X000VQC-WH	WHITE ON BLUE, VINYL TAPE				
T038X000VSC-BK	BLACK ON GREEN, VINYL TAPE				
T038X000VSC-WH	WHITE ON GREEN, VINYL TAPE				
T038X000VUC-BK	BLACK ON ORANGE, VINYL TAPE				
T038X000VUC-WH	WHITE ON ORANGE, VINYL TAPE				
T038X000VWC-BK	BLACK ON RED, VINYL TAPE	GMV14			
T038X000VWC-WH	WHITE ON RED, VINYL TAPE				
T038X000VXC-BK	BLACK ON YELLOW, VINYL TAPE	GMV14			
T038X000VYC-WH	WHITE ON BLACK, VINYL TAPE	GMV15			
T038X000YKC-BK	BLACK ON CLEAR, POLYESTER TAPE	GMV15			
			GMV14		



1 OF 3



NOTES:
1. DIMENSIONS IN [] ARE IN MILLIMETERS.

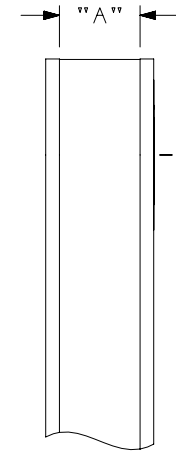
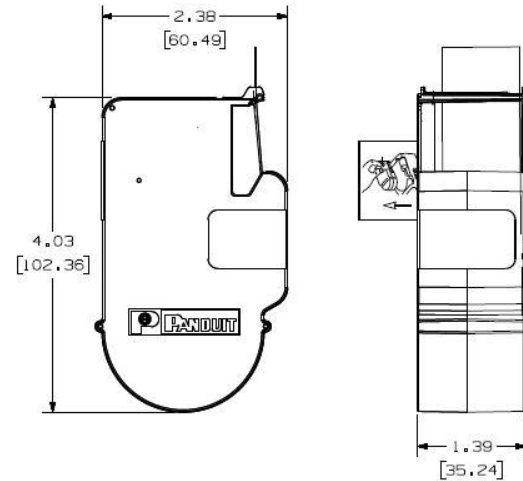
5	7/12/18	RVU	JW	JHAC	GMRS1 WAS GMRS. Remove T100X000YKC-WH and T050X000YKC-WH.	GAECN04617
4	10/3/14	RVU	SEWH	MSAD	T038X000VXC-BK, T050X000VXC-BK, T075X000VXC-BK AND T100X000VXC-BK, MATERIAL: GMV14 WAS GMV15. REMOVE NOTE 2. COMBINE OTHER DWG., C10866, & C10867.	GAECN02340
3	10/12/12	RVU	SEWH	MSAD	T024X000VPC-BK, T038X000VPC-BK, T050X000VPC-BK, T075X000VPC-BK, T100X000VPC-BK, MATERIAL: GMV14 WAS GMV15.	GAECN00369
2	10/19/10	RVU			UPDATE ALL TABLE FROM THE NEW PART NO.	6195
1	4/14/09	LDG			ADDED T050X000VPC-RD, T100X000VPC-RD.	5702

REV	DATE	BY	CHK	APR	DESCRIPTION	ECN

TITLE						
P1 T***X*** CASSETTE CONTINUOUS TAPE LABEL						
CUSTOMER DRAWING						
ITEM REVISION NAME				10074380/27		
DATASET FILE NAME				10074380_DC_C10695/24F		
UNLESS OTHERWISE SPECIFIED, DIMENSIONAL TOLERANCES ARE: IN [mm]				MATERIAL: SEE TABLE		
.x ± .03 [.762]		.xxx ± .025 [.635]				
THIRD ANGLE PROJECTION				SCALE		
DRAWN BY	DATE	CHK	SCALE	SHT 1 OF 1		SIZE
RVU	4/30/08	MSAD	NTS			A

THIS COPY IS PROVIDED ON A RESTRICTED BASIS AND IS NOT TO BE USED IN ANY WAY DETRIMENTAL TO THE INTERESTS OF PANDUIT CORP.

P1 CASSETTE PART NO.	PART DESCRIPTION	LABEL "A"	MATERIAL	ROLL LENGTH	
T050X000VPC-BK	BLACK ON WHITE, VINYL TAPE	0.50 [12.70]	GMV14	300"	
T050X000VPC-RD	RED ON WHITE, VINYL TAPE		GMV15		
T050X000YKC-BK	BLACK ON CLEAR, POLYESTER TAPE		GMV4-C		
T050X000VXC-BK	BLACK ON YELLOW, VINYL TAPE		GMV14		
T050X000VUC-BK	BLACK ON ORANGE, VINYL TAPE		GMV15		
T050X000VWC-BK	BLACK ON RED, VINYL TAPE				
T050X000VSC-BK	BLACK ON GREEN, VINYL TAPE				
T050X000VQC-BK	BLACK ON BLUE, VINYL TAPE				
T050X000VYC-WH	WHITE ON BLACK, VINYL TAPE				
T050X000VQC-WH	WHITE ON BLUE, VINYL TAPE				
T050X000VSC-WH	WHITE ON GREEN, VINYL TAPE				
T050X000VWC-WH	WHITE ON RED, VINYL TAPE				
T075X000VPC-BK	BLACK ON WHITE, VINYL TAPE	0.75 [19.05]			GMV14
T075X000VQC-BK	BLACK ON BLUE, VINYL TAPE				GMV15
T075X000VQC-WH	WHITE ON BLUE, VINYL TAPE				
T075X000VSC-BK	BLACK ON GREEN, VINYL TAPE				
T075X000VSC-WH	WHITE ON GREEN, VINYL TAPE				
T075X000VUC-BK	BLACK ON ORANGE, VINYL TAPE				
T075X000VWC-BK	BLACK ON RED, VINYL TAPE				
T075X000VWC-WH	WHITE ON RED, VINYL TAPE				
T075X000VXC-BK	BLACK ON YELLOW, VINYL TAPE		GMV14		
T075X000VYC-WH	WHITE ON BLACK, VINYL TAPE		GMV15		
T075X000YKC-BK	BLACK ON CLEAR, POLYESTER TAPE		GMV4-C		



2 OF 3

NOTES:
1. DIMENSIONS IN [] ARE IN MILLIMETERS.

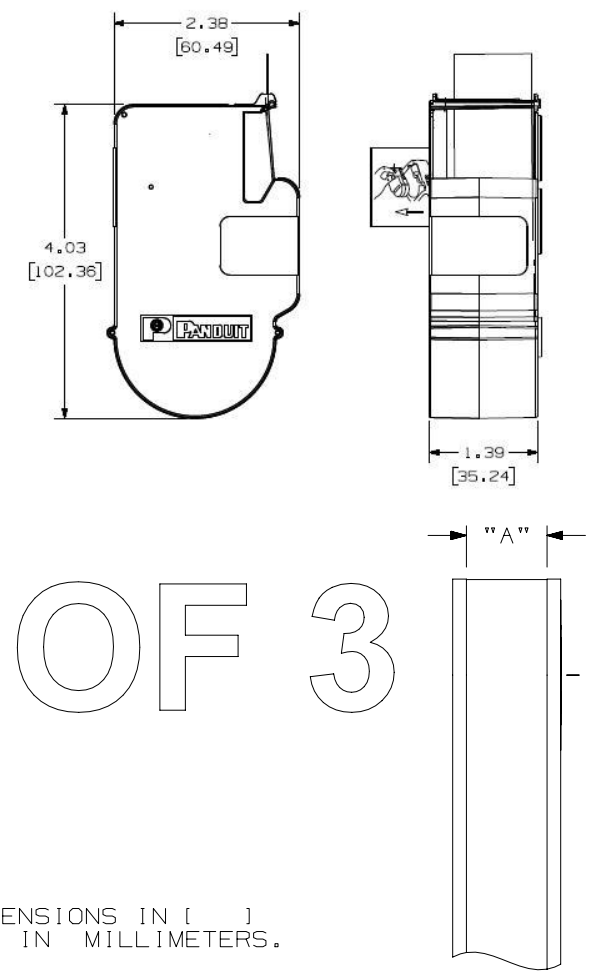
5	7/12/18	RVU	JW	JHAC	GMRS1 WAS GMRS. Remove T100X000YKC-WH and T050X000YKC-WH.	GAECN04617
4	10/3/14	RVU	SEWH	MSAD	T038X000VXC-BK, T050X000VXC-BK, T075X000VXC-BK AND T100X000VXC-BK, MATERIAL: GMV14 WAS GMV15. REMOVE NOTE 2. COMBINE OTHER DWG., C10866, & C10867.	GAECN02340
3	10/12/12	RVU	SEWH	MSAD	T024X000VPC-BK, T038X000VPC-BK, T050X000VPC-BK, T075X000VPC-BK, T100X000VPC-BK, MATERIAL: GMV14 WAS GMV15.	GAECN00369
2	10/19/10	RVU			UPDATE ALL TABLE FROM THE NEW PART NO.	6195
1	4/14/09	LDG			ADDED T050X000VPC-RD, T100X000VPC-RD.	5702

TITLE				
P1 T***X*** CASSETTE CONTINUOUS TAPE LABEL				
CUSTOMER DRAWING				
ITEM REVISION NAME		10074380/27		
DATASET FILE NAME		10074380_DC_C10695/24F		
UNLESS OTHERWISE SPECIFIED, DIMENSIONAL TOLERANCES ARE: IN [mm]				PANDUIT
.x ± .03 [.762]		.xxx ± .025 [.635]		
ANGLES ±				SEE TABLE
DRAWING NUMBER:				C10695
DRAWN BY	DATE	CHK	SCALE	SIZE
RVU	4/30/08	MSAD	NTS	A

REV	DATE	BY	CHK	APR	DESCRIPTION	ECN

THIS COPY IS PROVIDED ON A RESTRICTED BASIS AND IS NOT TO BE USED IN ANY WAY DETRIMENTAL TO THE INTERESTS OF PANDUIT CORP.

P1 CASSETTE PART NO.	PART DESCRIPTION	LABEL "A"	MATERIAL	ROLL LENGTH	
T100X000VPC-BK	BLACK ON WHITE, VINYL TAPE	1.00 [25.40]	GMV15	300"	
T100X000VPC-RD	RED ON WHITE, VINYL TAPE		GMV14		
T100X000YKC-BK	BLACK ON CLEAR, POLYESTER TAPE		GMV4-C		
T100X000VXC-BK	BLACK ON YELLOW, VINYL TAPE		GMV14		
T100X000VUC-BK	BLACK ON ORANGE, VINYL TAPE		GMV15		300"
T100X000VWC-BK	BLACK ON RED, VINYL TAPE				
T100X000VSC-BK	BLACK ON GREEN, VINYL TAPE				
T100X000VQC-BK	BLACK ON BLUE, VINYL TAPE				
T100X000VYC-WH	WHITE ON BLACK, VINYL TAPE				
T100X000VXC-WH	WHITE ON YELLOW, VINYL TAPE				
T100X000VUC-WH	WHITE ON ORANGE, VINYL TAPE				
T100X000VWC-WH	WHITE ON RED, VINYL TAPE		GMRS1	216"	
T100X000VSC-WH	WHITE ON GREEN, VINYL TAPE				
T100X000VQC-WH	WHITE ON BLUE, VINYL TAPE				
T100X000RXC-BK	BLACK ON YELLOW, REFLECTIVE VINYL				
T100X000RUC-BK	BLACK ON ORANGE, REFLECTIVE VINYL				
T100X000RPC-BK	BLACK ON WHITE, REFLECTIVE VINYL				



NOTES:
1. DIMENSIONS IN [] ARE IN MILLIMETERS.

- 5
- 5
- 5
- 5

REV	DATE	BY	CHK	APR	DESCRIPTION	ECN
5	7/12/18	RVU	JW	JHAC	GMRS1 WAS GMRS. Remove T100X000YKC-WH and T050X000YKC-WH.	GAECN04617
4	10/3/14	RVU	SEWH	MSAD	T038X000VXC-BK, T050X000VXC-BK, T075X000VXC-BK AND T100X000VXC-BK, MATERIAL: GMV14 WAS GMV15. REMOVE NOTE 2. COMBINE OTHER DWG., C10866, & C10867.	GAECN02340
3	10/12/12	RVU	SEWH	MSAD	T024X000VPC-BK, T038X000VPC-BK, T050X000VPC-BK, T075X000VPC-BK, T100X000VPC-BK, MATERIAL: GMV14 WAS GMV15.	GAECN00369
2	10/19/10	RVU			UPDATE ALL TABLE FROM THE NEW PART NO.	6195
1	4/14/09	LDG			ADDED T050X000VPC-RD, T100X000VPC-RD.	5702

TITLE					
P1 T***X*** CASSETTE CONTINUOUS TAPE LABEL					
CUSTOMER DRAWING					
ITEM REVISION NAME			10074380/27		
DATASET FILE NAME			10074380_DC_C10695/24F		
UNLESS OTHERWISE SPECIFIED, DIMENSIONAL TOLERANCES ARE: IN [mm]			PANDUIT		
.x ± .xxx ± .025 [.635] .xx ± .03 [.762] ANGLES ±					
DRAWING NUMBER: C10695			SEE TABLE		
DRAWING NUMBER: C10695					
DRAWN BY	DATE	CHK	SCALE	DRAWING NUMBER:	
RVU	4/30/08	MSAD	NTS	SHT 1 OF 1	
REV					SIZE
					A