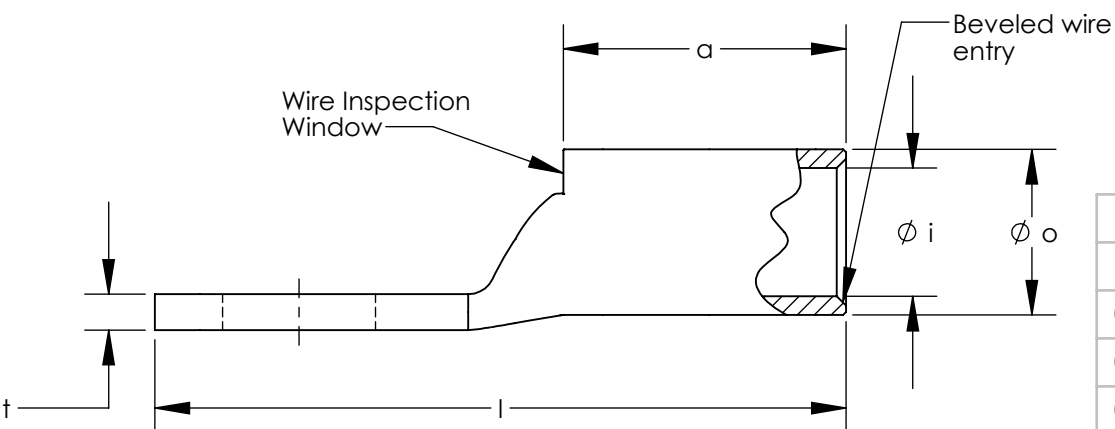
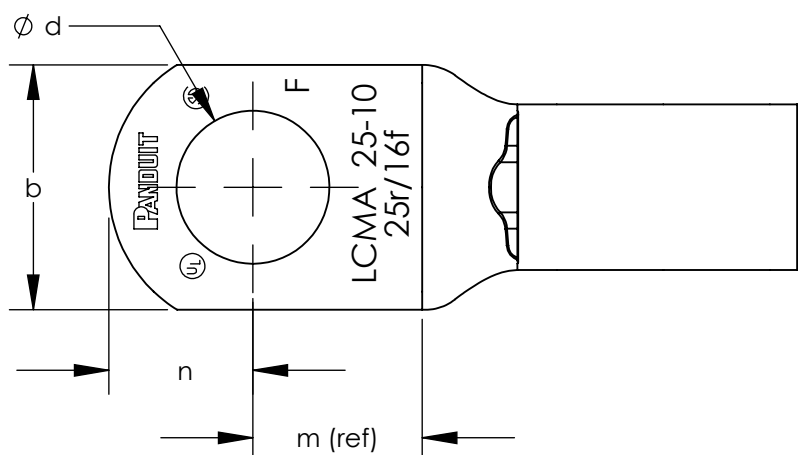


ALL DIMENSIONS IN mm																
Part Number	Class 2r Wire Size	Class 5f & 6f Wire Size	Stud Size	Wire Strip Length	Panduit Die Index No. For Class 2r Wire Circumferential Dies	Panduit Die Index No. For Class 5f & 6f Wire Circumferential Dies	Panduit Die Index No. For Class 5f & 6f Wire Nest/Indenter Dies	$l \pm 2.76$	$o \pm .50$	$i \pm .50$	$a \pm 2.25$	m (ref)	$n \pm 1.25$	$d \pm .50$	$b \pm 1.25$	$t \pm .70$
**LCMA2.5-4-C	1.5-2.5mm	1.5-2.5mm	M4	8.0	P10	---	---	18.0	4.00	2.40	7.0	5.0	4.0	4.20	8.0	1.17
LCMA6-5-C	*4-6mm	*4-6mm	M5	11.0	P10	---	---	27.5	5.50	3.80	9.5	8.3	6.2	5.50	10.0	1.17
LCMA6-6-C	*4-6mm	*4-6mm	M6	11.0	P10	---	---	27.5	5.50	3.80	9.5	7.8	6.2	6.60	10.8	1.17
LCMA6-8-C	*4-6mm	*4-6mm	M8	11.0	P10	---	---	30.5	5.50	3.80	11.0	8.0	8.0	9.00	13.0	0.96
**LCMA6-10-C	*4-6mm	*4-6mm	M10	11.0	P10	---	---	34.5	6.00	3.80	11.0	11.0	9.0	11.00	15.0	1.00
LCMA10-5-C	10mm	*10mm	M5	12.5	P21	P21	P21/1	30.8	6.20	4.50	11.0	9.8	6.0	5.50	11.0	1.20
LCMA10-6-C	10mm	*10mm	M6	12.5	P21	P21	P21/1	30.8	6.20	4.50	11.0	9.8	6.0	6.60	11.0	1.20
LCMA10-8-C	10mm	*10mm	M8	12.5	P21	P21	P21/1	33.5	6.20	4.50	11.5	11.2	8.0	9.00	13.0	1.05
LCMA10-10-C	10mm	*10mm	M10	12.5	P21	P21	P21/1	33.5	7.14	4.36	11.5	11.2	8.0	11.00	14.5	1.65
**LCMA10-12-C	10mm	*10mm	M12	12.5	P21	P21	P21/1	40.5	7.14	4.36	11.5	13.0	10.5	14.00	20.0	1.27
LCMA16-5-C	16mm	10mm	M5	16.0	P21	P21	P29/1	34.5	7.20	5.50	14.5	10.3	6.5	5.50	13.0	1.26
LCMA16-6-C	16mm	10mm	M6	16.0	P21	P21	P29/1	34.5	7.20	5.50	14.5	10.3	6.5	6.60	13.0	1.26
LCMA16-8-C	16mm	10mm	M8	16.0	P21	P21	P29/1	34.5	7.20	5.50	14.5	10.3	6.5	9.00	13.0	1.20
LCMA16-10-C	16mm	10mm	M10	16.0	P21	P21	P29/1	36.7	7.20	5.50	14.5	10.2	8.0	11.00	15.0	1.10
**LCMA25-5-C	25mm	16mm	M5	16.5	P29	P21	P29/1	37.0	8.80	6.90	15.0	10.0	8.0	5.50	14.0	1.60
LCMA25-6-C	25mm	16mm	M6	16.5	P29	P21	P29/1	37.0	8.80	6.90	15.0	10.0	8.0	6.60	14.0	1.60
LCMA25-8-C	25mm	16mm	M8	16.5	P29	P21	P29/1	37.0	8.80	6.90	15.0	10.0	8.0	9.00	15.5	1.60
LCMA25-10-C	25mm	16mm	M10	16.5	P29	P21	P29/1	37.0	8.80	6.90	15.0	10.0	8.0	11.00	15.5	1.50

*Class 5f only
**cULus LISTED WIRE CONNECTOR



- NOTES:
1. Material: High conductivity seamless copper tube.
 2. Plating: Parts are annealed and tin plated.
 3. Wire Type: Class 2r, 5f & 6f Stranded Copper per DIN VDE 0295, IEC 60228 and HD 383.
 4. UL Listed Wire Connector: Yes, for applications up to 35kv. Consult cable manufacturer for voltage stress relief instructions with applications greater than 2000 volts.
 5. UL Temperature Rating: 90° C
 6. C.S.A. Certified Wire Connector: Yes
 7. Parts are CE and tested per EN 61238-1:2003/IEC 61238-1:2003 Class B, with Class 2r wire 4mm² - 25mm².
 8. LCMA2.5-4-C not offered with wire inspection window.



LISTED Wire Connector



LISTED Wire Connector



CERTIFIED

REV	DATE	BY	CHK	APR	DESCRIPTION	ECN
04	2/17	JHNU	JHNU	RGB	REVISED TONGUE THICKNESS DIMENSION	13J059BE-JC
03	11/16	JHNU	TLCO	RGB	ADDED LCMA2.5-4-C, LCMA6-10-c, LCMA10-12-C	13J059BE-JC
02	7/15	JHNU	TLCO	RGB	ADDED LCMA25-5-C	13J059BE-JC
01	6/14	JHNU	TLCO	RGB	REVISED I DIM: LCMA10-8,LCMA10-10 WAS 30.8 REVISED m DIM: LCMA6-5 WAS 7.8, LCMA10-8, LCMA10-10 WAS 8.5	13J059BE-JC
00	4/14	JHNU	TLCO	RGB	DRAWING RELEASED	

TITLE METRIC LUGS - LCMA ONE HOLE SERIES 6-25mm STANDARD BARREL CUSTOMER DRAWING						
ITEM REVISION NAME		12J059BE/04				
DATASET FILE NAME		12J059BE-JC/04.SLDDRW				
UNLESS OTHERWISE SPECIFIED, DIMENSIONAL TOLERANCES ARE: IN [mm]						
.X ±		.XXX ±				
.XX ±		ANGLES ±				
DRAWN BY JHNU		DATE 4/14		CHK TLCO		SCALE NONE
DRAWING NUMBER 12J059BE-JC						SHEET 1 OF 1
						SIZE B