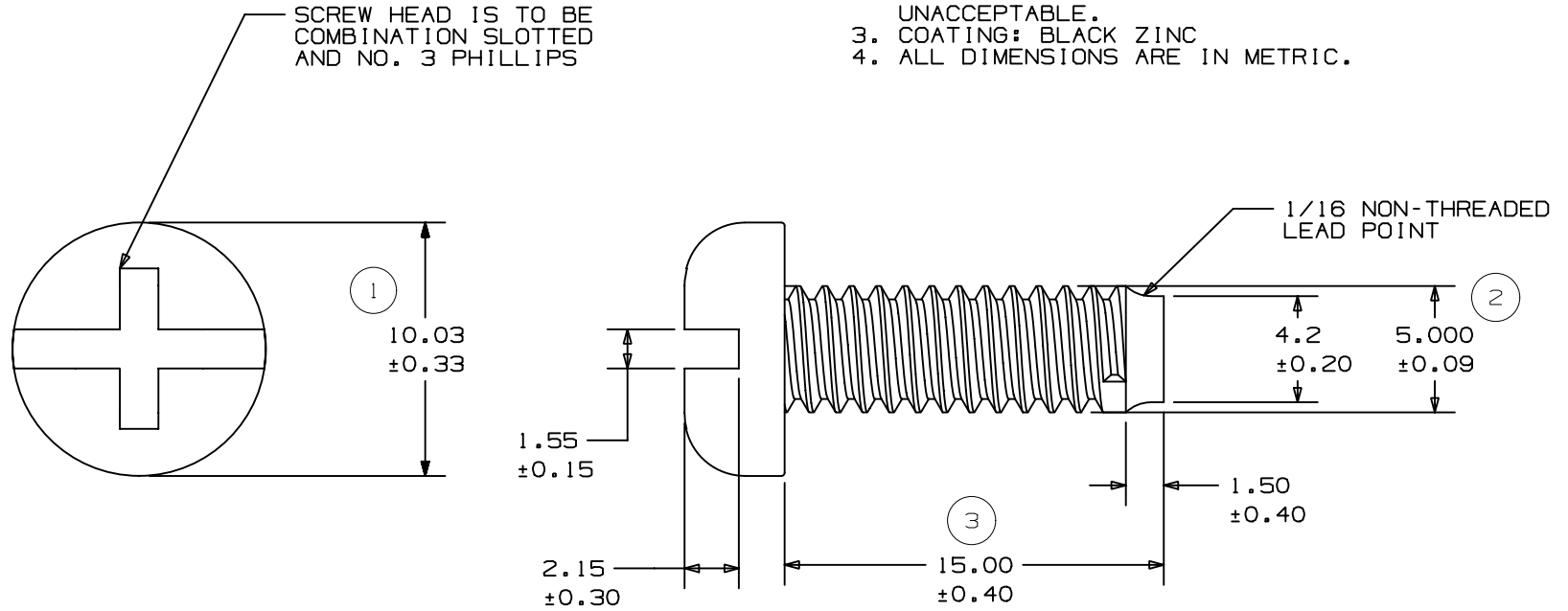


THIS COPY IS PROVIDED ON A RESTRICTED BASIS AND IS NOT TO BE USED IN ANY WAY DETRIMENTAL TO THE INTERESTS OF PANDUIT CORP.

1. PANDUIT PART #10029-04.
2. THE PART SHALL BE CONDITIONED FOR HANDLING. BURRS AND CHIPS ARE UNACCEPTABLE.
3. COATING: BLACK ZINC
4. ALL DIMENSIONS ARE IN METRIC.



										MODEL FILENAME	V10029BD_M5X8X15_00.PRT		
										CAD FILENAME/LAYERS	V10029BD_DS_00A.PRT		
										<b>PANDUIT</b> CORP. TINLEY PARK, ILLINOIS			
										M5X.8X15mm ROUND HEAD SCREW CUSTOMER DRAWING			
										UNLESS OTHERWISE SPECIFIED, DIMENSIONAL TOLERANCES ARE: (.X) ±                   (.XXX) ± (.XX) ±                 ANGLES ± 1°	UNLESS OTHERWISE SPECIFIED, ALL DIMENSIONS ARE GIVEN IN INCHES, THIRD ANGLE PROJECTION.		
										DRAWN BY ADP	MAT'L:	SCALE 4X	
										DATE 2-05-03	1022 STEEL CASE HARDEN C45 MINIMUM	DRAWING NO.	DWG
REV	DATE	BY	CHK	DESCRIPTION	ECN	CHK	CUST	SUP	SUP	CHECKED BY GM		10029-04	A
R	2-05-03	ADP		RELEASED TO PRODUCTION	10029-04	JWI		JWI	JWI				

THIS COPY IS PROVIDED ON A RESTRICTED BASIS AND IS NOT TO BE USED IN ANY WAY DETRIMENTAL TO THE INTERESTS OF PANDUIT CORP.

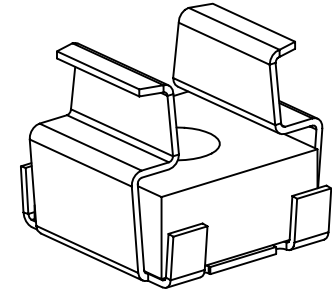
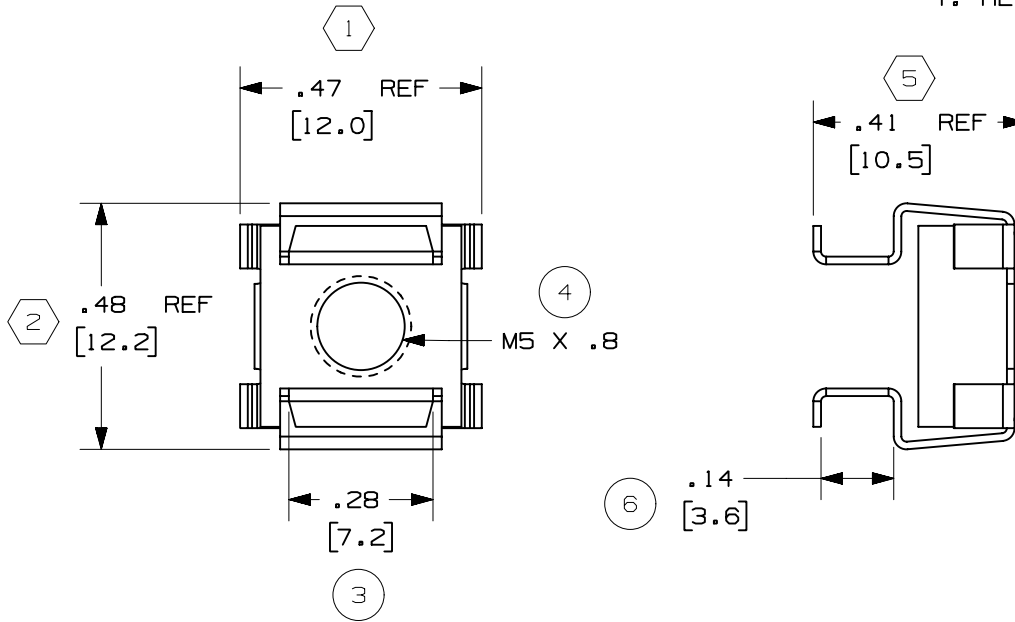


NOTES:

1. IDENTIFICATION: M5 CAGENUT

PART NO. 00001-06 COLOR ZINC

2. PARTS SHALL BE CONDITIONED FOR HANDLING. BURRS AND CHIPS ARE UNACCEPTABLE.
3. REFERENCE CMI-03004 FOR PACKAGING INFORMATION.
4. HEXAGONS ARE USED FOR COMMUNICATION PURPOSES.



MODEL FILENAME M5-CAGENUT-11GA-PT.PRT

CAD FILENAME/LAYERS V00001BB\_M5\_CAGENUT\_DS\_00B.PRT

PANDUIT CORP. TINLEY PARK, ILLINOIS

M5 CAGENUT FOR 11 GA PANEL CUSTOMER DRAWING

UNLESS OTHERWISE SPECIFIED,  
DIMENSIONAL TOLERANCES ARE:  
(.X) ± .03 (.XXX) ± .005  
(.XX) ± .015 ANGLES ± 1°

UNLESS OTHERWISE SPECIFIED,  
ALL DIMENSIONS ARE GIVEN  
IN INCHES, THIRD ANGLE PROJECTION.

DRAWN BY JDWE

MAT'L:

SCALE 3X

DATE 2-6-03

CAGE: ALLOY STEEL  
NUT: STEEL

DRAWING NO.

00001-06

DWG  
A  
SIZE

R	2-6-03	JDWE	GM	RELEASED TO PRODUCTION	00001-06	JWI														
REV	DATE	BY	CHK	DESCRIPTION	ECN	R	CUST	SUP	OTH	CHK'D										
										GM										

