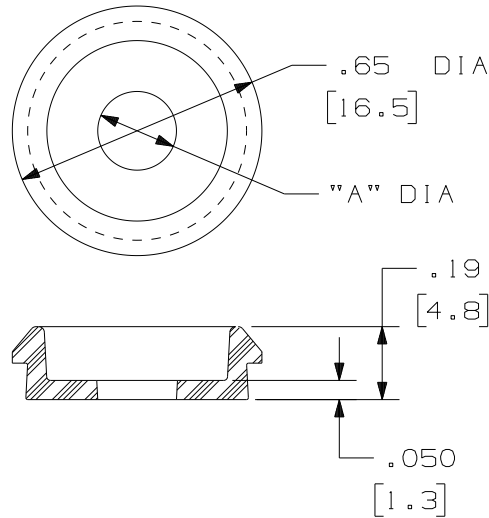


THIS COPY IS PROVIDED ON A RESTRICTED BASIS AND IS NOT TO BE USED IN ANY WAY DETRIMENTAL TO THE INTERESTS OF PANDUIT CORP.

PANDUIT PART NO. *	TO BE USED WITH:	"A" DIA.	WEIGHT
DB	U.S. F-DUCT	.205(5.2)	.123 LB/100 PCS (56 g/100 PCS)

NOTES:

- * 1. SEE CURRENT CATALOG FOR ADDITIONAL PART NUMBER SUFFIXES TO INDICATE COLOR AND OR PACKAGE QUANTITY.
- 2. DIMENSIONS IN PARENTHESES ARE IN METRIC.



CAD FILENAME/LAYERS D34301BF_DBC_01A (D)

PANDUIT CORP. TINLEY PARK, ILLINOIS

WIRING DUCT DIVIDER WALL
DB MOUNTING DISK
CUSTOMER DRAWING

UNLESS OTHERWISE SPECIFIED,
DIMENSIONAL TOLERANCES ARE:
(.X) ± (.XXX) ± .010(.3)
(.XX) ± .03(.8) ANGLES ±

UNLESS OTHERWISE SPECIFIED,
ALL DIMENSIONS ARE GIVEN
IN INCHES, THIRD ANGLE PROJECTION.

REV	DATE	BY	CHK	DESCRIPTION	ECN	R	CUST	SUP
O1	7/7/10	LEF	MKBE	REMOVED DBM REFERENCE FROM FILE	34301-09		MKBE	MKBE
R	5/11/93	DW	KRKE	RELEASED TO PRODUCTION	34301-09		CEF	CEF

DRAWN BY DW	MAT'L: POLYCARBONATE	SCALE NONE
DATE 5/11/93		DRAWING NO. 34301-09
CHK'D KRKE		DWG A SIZE