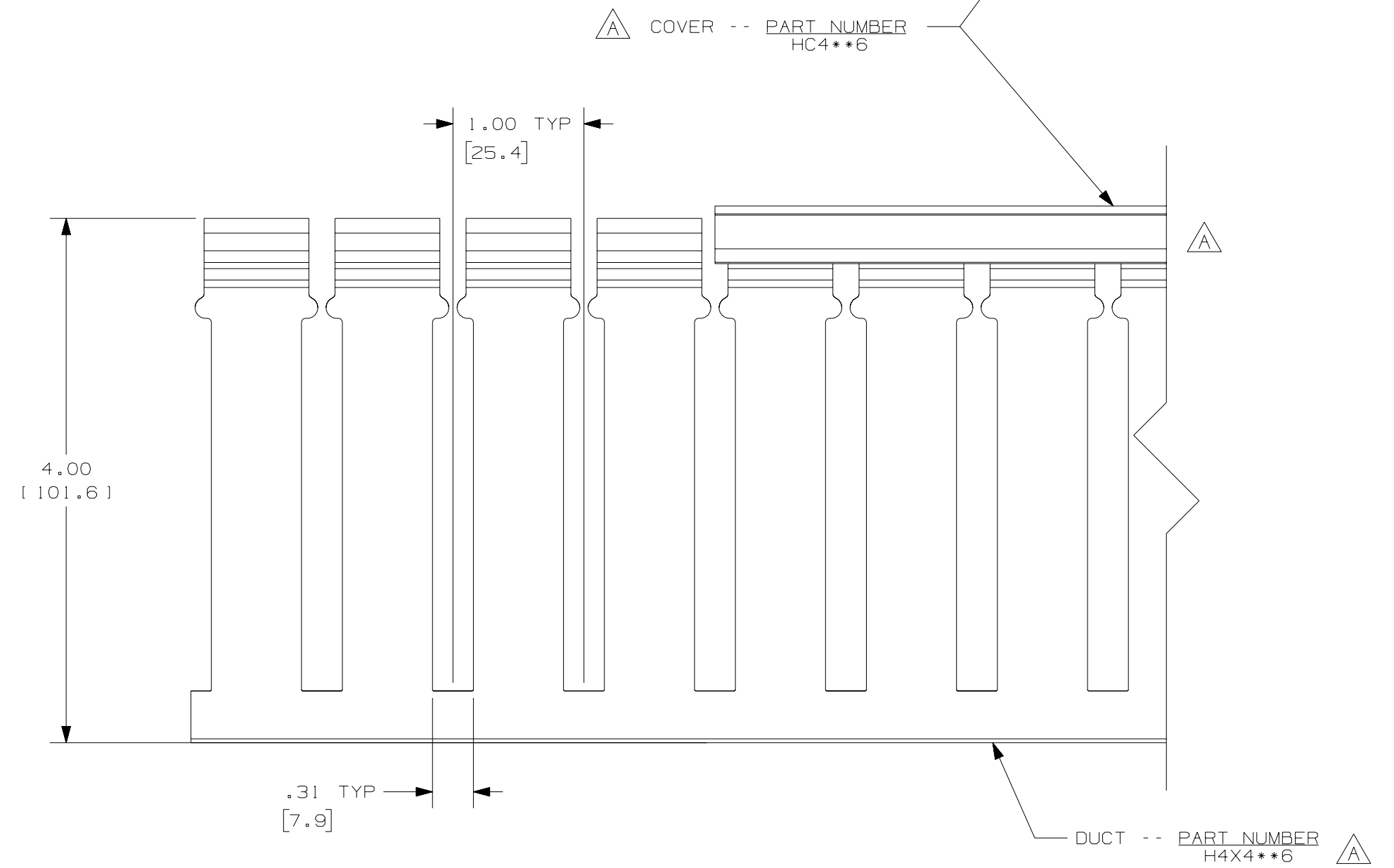
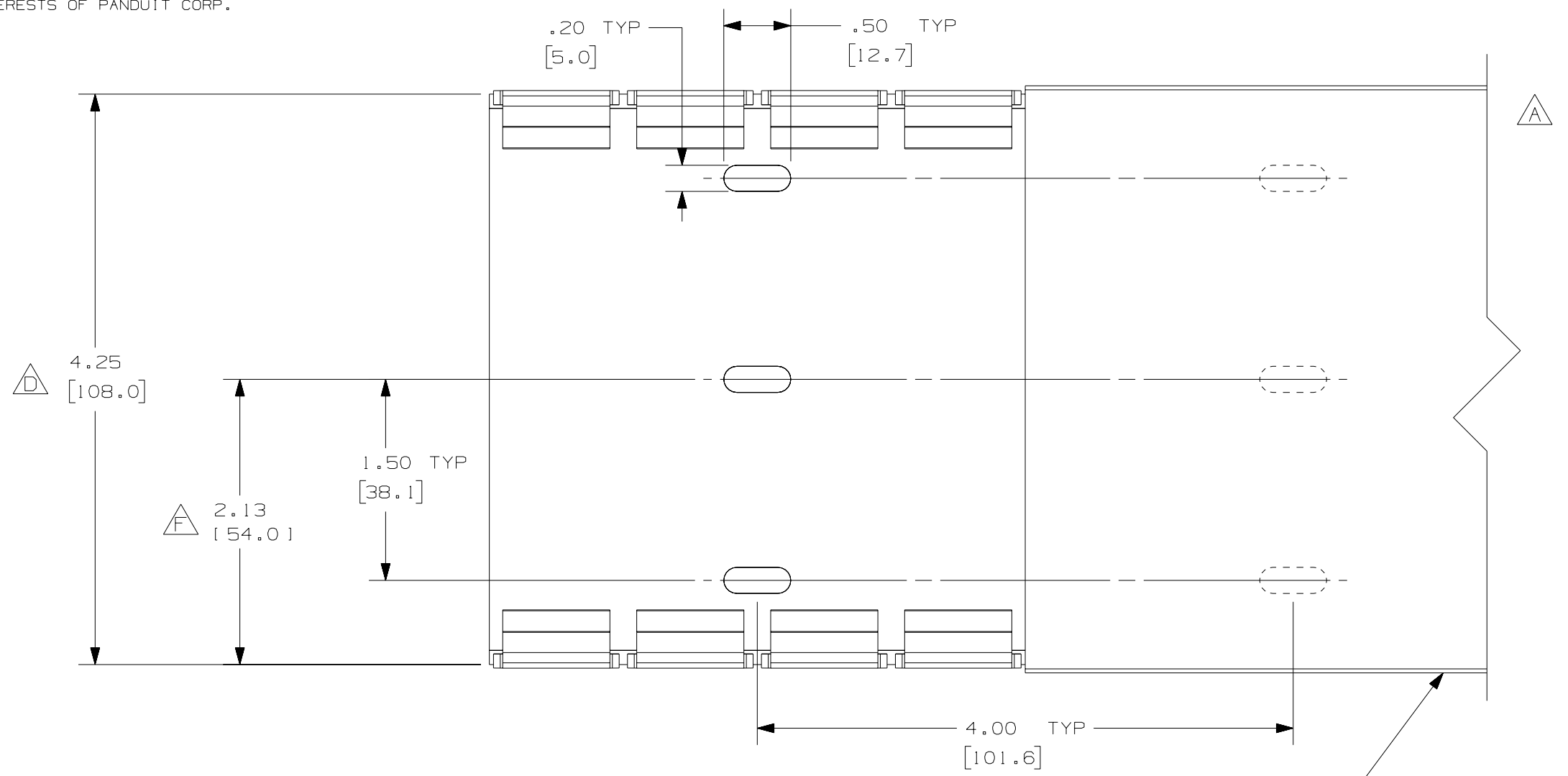
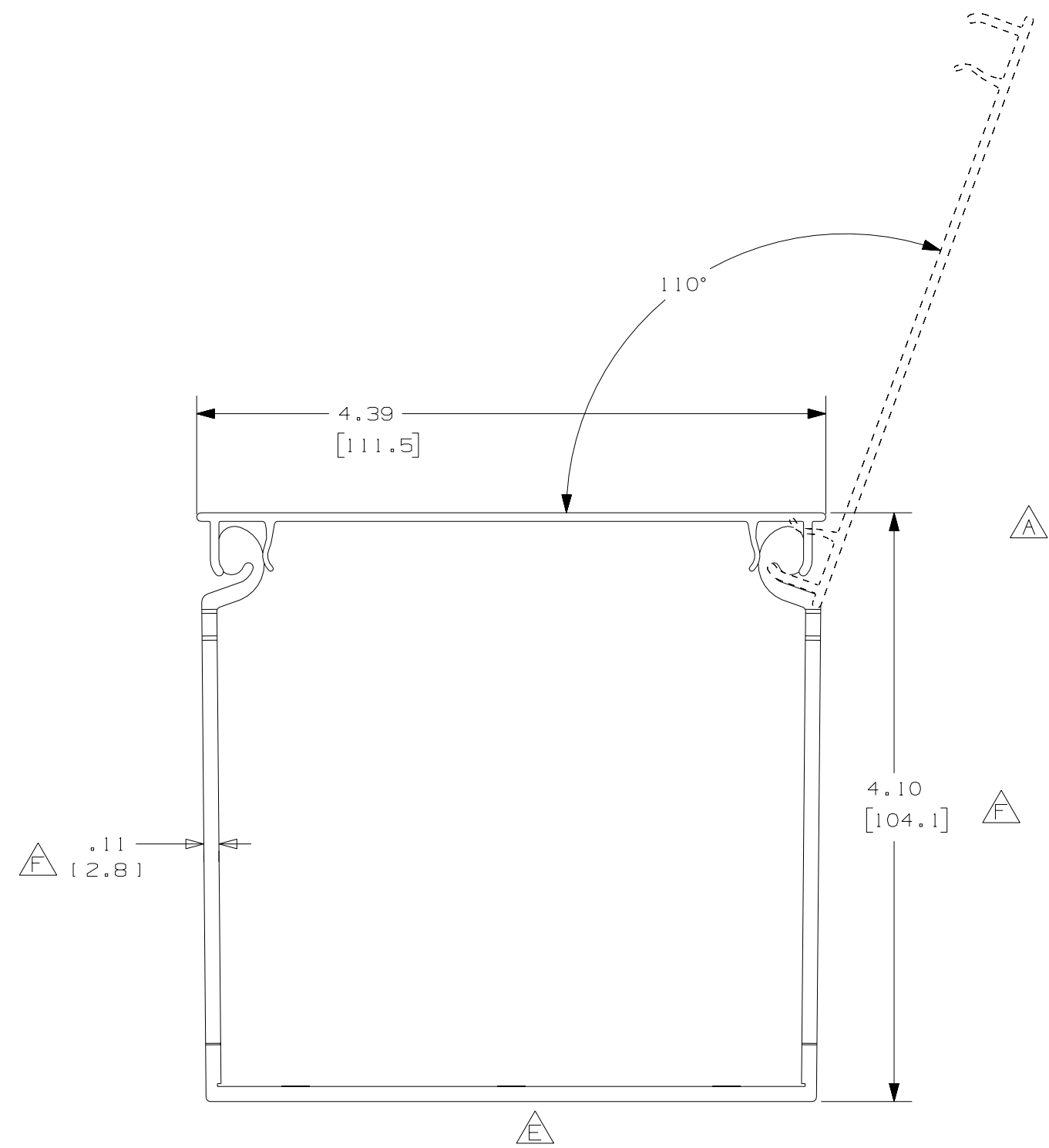


THIS COPY IS PROVIDED ON A RESTRICTED BASIS AND IS NOT TO BE USED IN ANY WAY DETRIMENTAL TO THE INTERESTS OF PANDUIT CORP.



NOTES:

1. ALL DIMENSIONS ARE REFERENCE ONLY.
2. DIMENSIONS IN PARENTHESIS ARE METRIC.
3. THE ** DENOTE COLOR.
4. DUCT AND COVER ARE AVAILABLE IN 6 FT [1828.8] LENGTHS.

| REV | DATE | BY | CHK | DESCRIPTION |
|-----|---------|------|------|---|
| 3 | 8/3/07 | JCST | MKBE | G. ADDED LENGTH NOTE F. CORRECTED DIMENSIONS |
| 2 | 4/8/05 | JCST | MKBE | E. DELETED DIMENSION D. ADDED DIMENSION |
| 1 | 7/1/04 | JCST | MKBE | C. MODIFIED DRAWING |
| R | 3/14/03 | JCST | JGG | B. CHANGED DRAWING SIZE - (WAS TWO SHEETS) A. CHANGED AND VIEWS, NOTES, AND LABELS |
| | | | | DRAWING RELEASED |

| | | | |
|--|-------------------|-----------------|------------|
| CAD FILENAME/LAYERS | | D110000T_DC-01C | |
| PANDUIT CORP. TINLEY PARK, ILLINOIS | | | |
| WIRING DUCT - TYPE H DUCT WITH COVER 4x4 MARKETING DRAWING | | | |
| DRWN BY JCST | MAT'L: PVC | SCALE FULL | DWG NO. |
| DATE 3/14/03 | CHECKED BY JGG | 36897-722 | C |
| | | | SIZE |