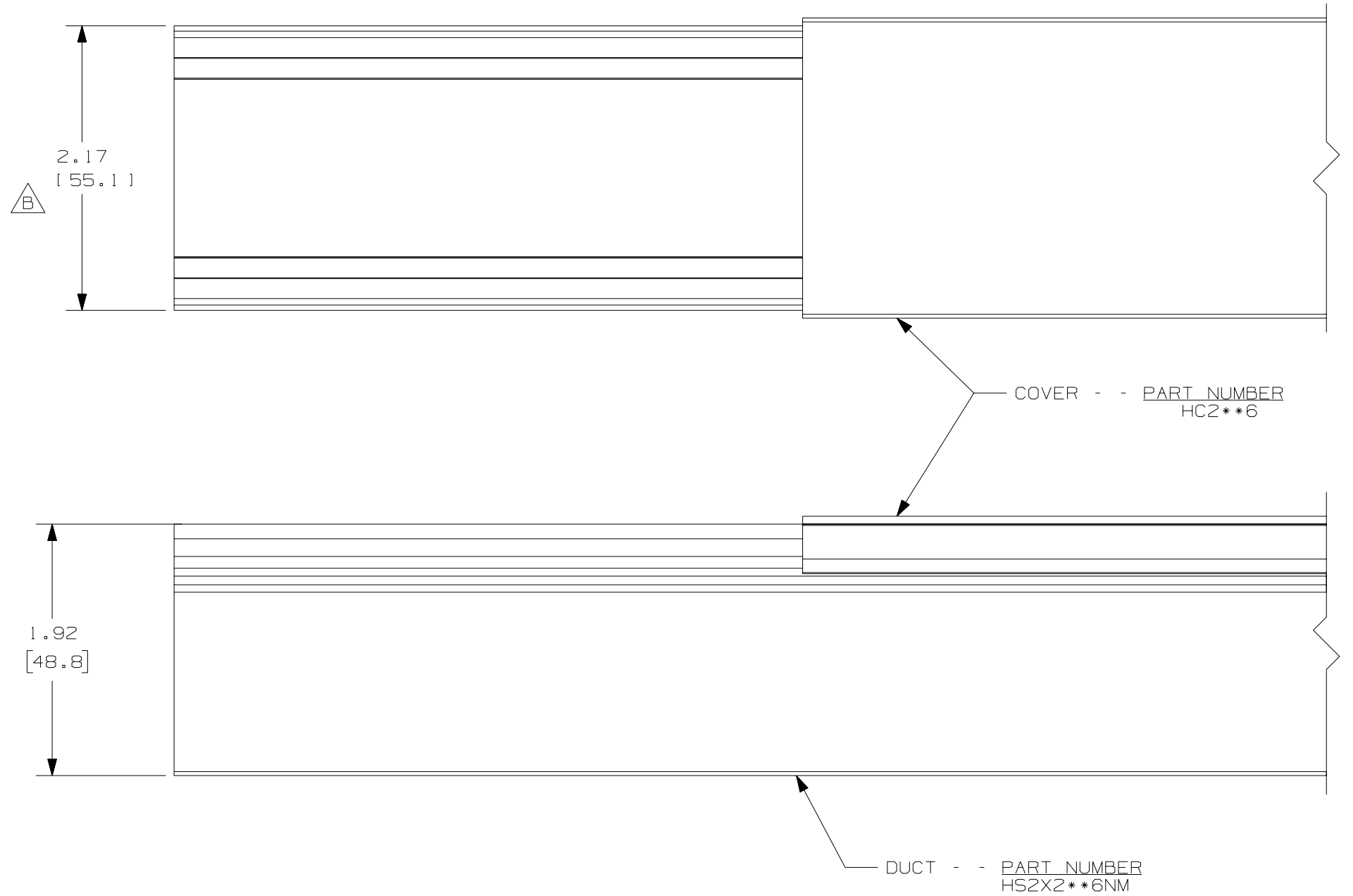
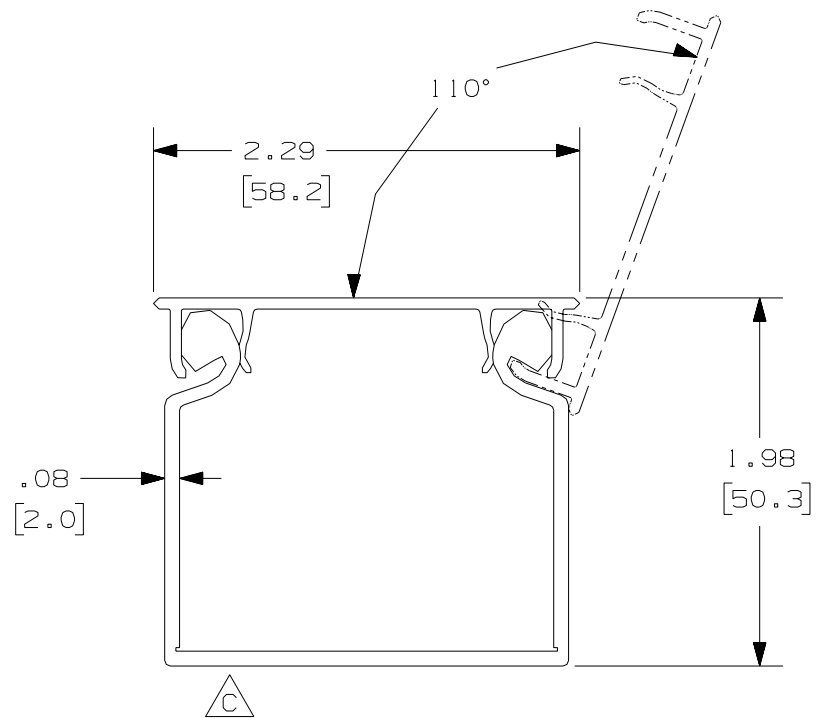


THIS COPY IS PROVIDED ON A RESTRICTED BASIS AND IS NOT TO BE USED IN ANY WAY DETRIMENTAL TO THE INTERESTS OF PANDUIT CORP.



D

NOTES:

1. ALL DIMENSIONS ARE REFERENCE ONLY.
2. DIMENSIONS IN PARENTHESIS ARE METRIC.
3. THE ** DENOTE COLOR.
4. DUCT AND COVER ARE AVAILABLE IN 6 FT [1828.8] LENGTHS.

				CAD FILENAME/LAYERS D11000PA_DC_01B				
				PANDUIT CORP. TINLEY PARK, ILLINOIS				
				WIRING DUCT - TYPE HS SOLID DUCT 2 X 2 (WITH COVER) MARKETING DRAWING				
--	----	--	--	D. ADDED LENGTH NOTE C. DELETED DIMENSION		DRAWN BY JCST	MAT'L: PVC	SCALE FULL
1	8/3/07	JCST	MKBE	B. ADDED DIMENSION A. DRAWING SIZE CHANGED		DATE 8/11/05		DRAWING NO. 36897-1070
R	8/11/05	JCST	MKBE	DRAWING RELEASED		CHECKED BY MKBE		DWG SIZE B
REV	DATE	BY	CHK	DESCRIPTION				