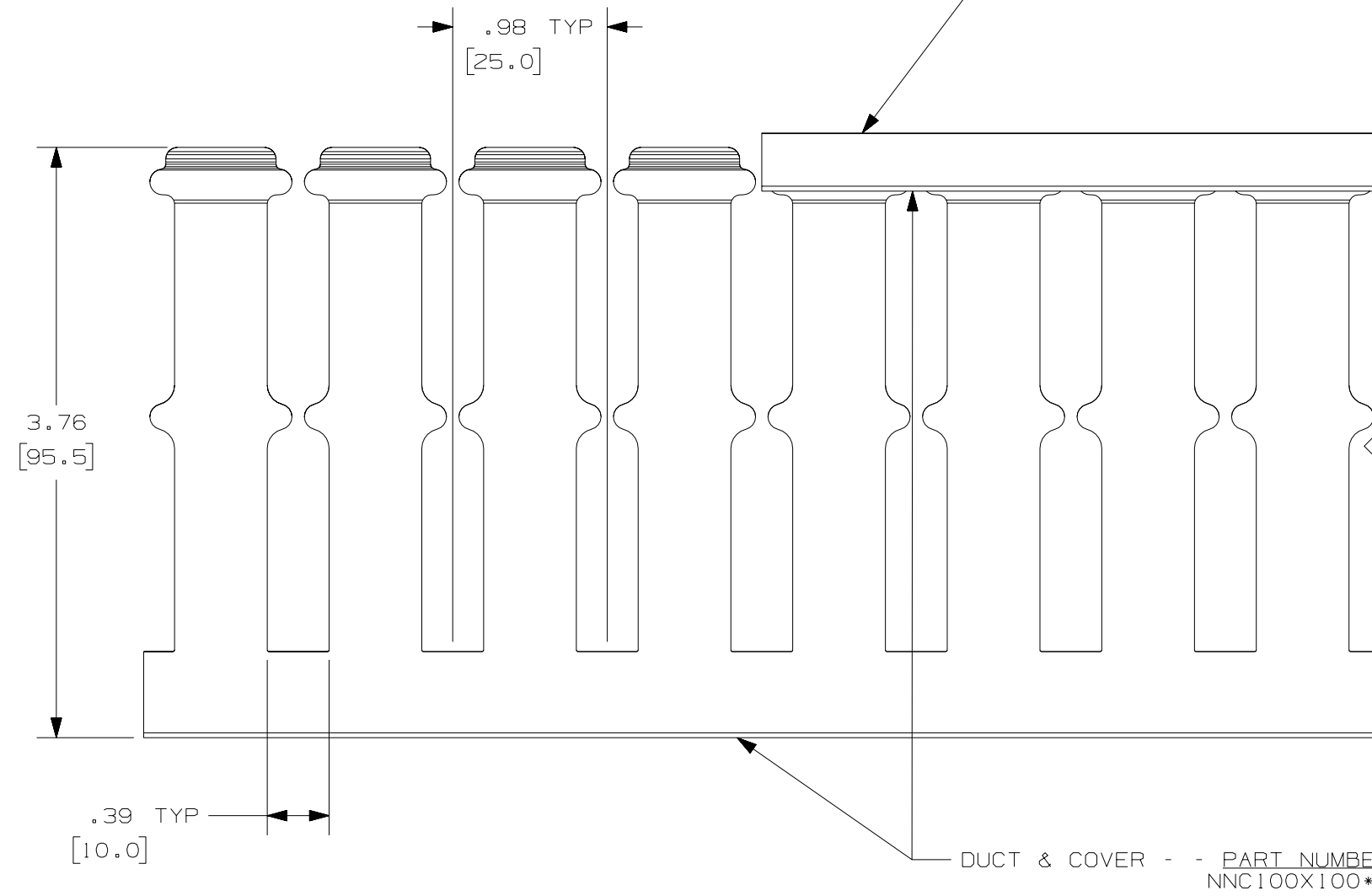
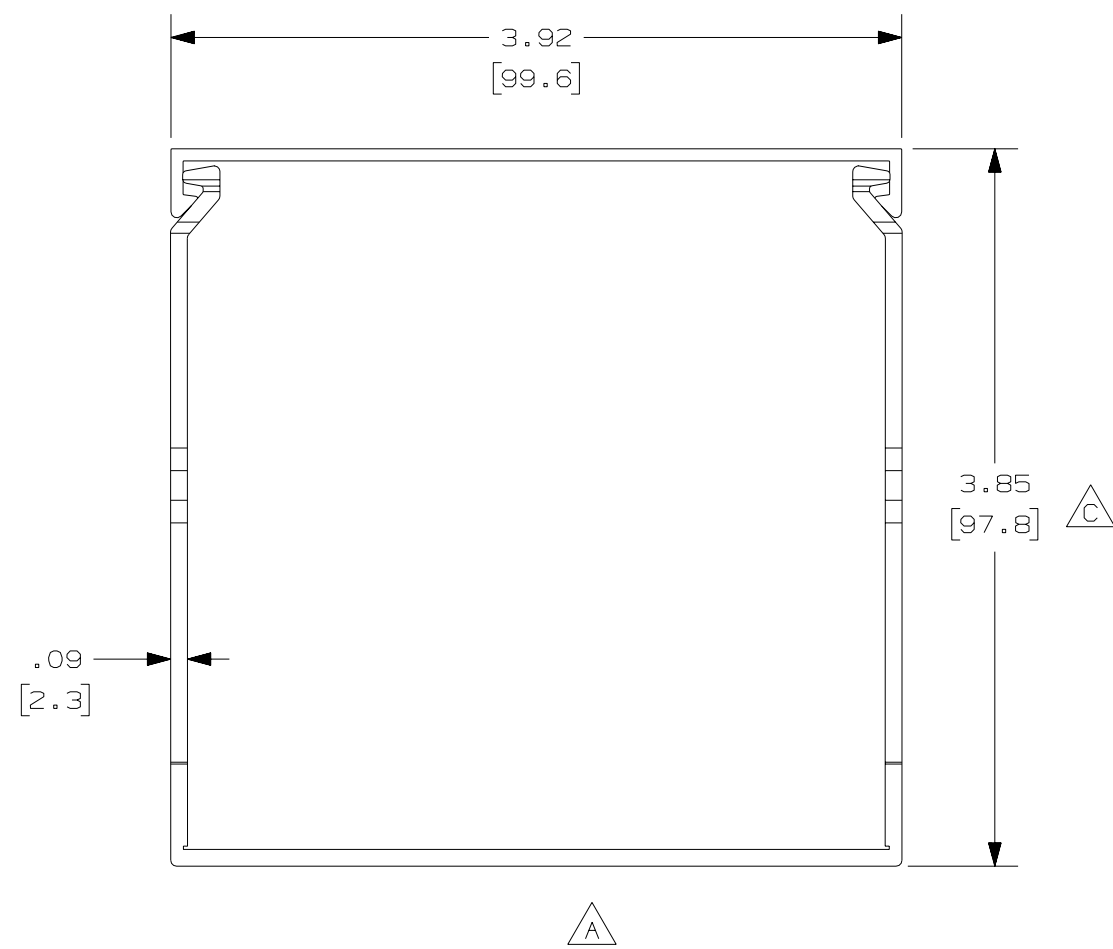
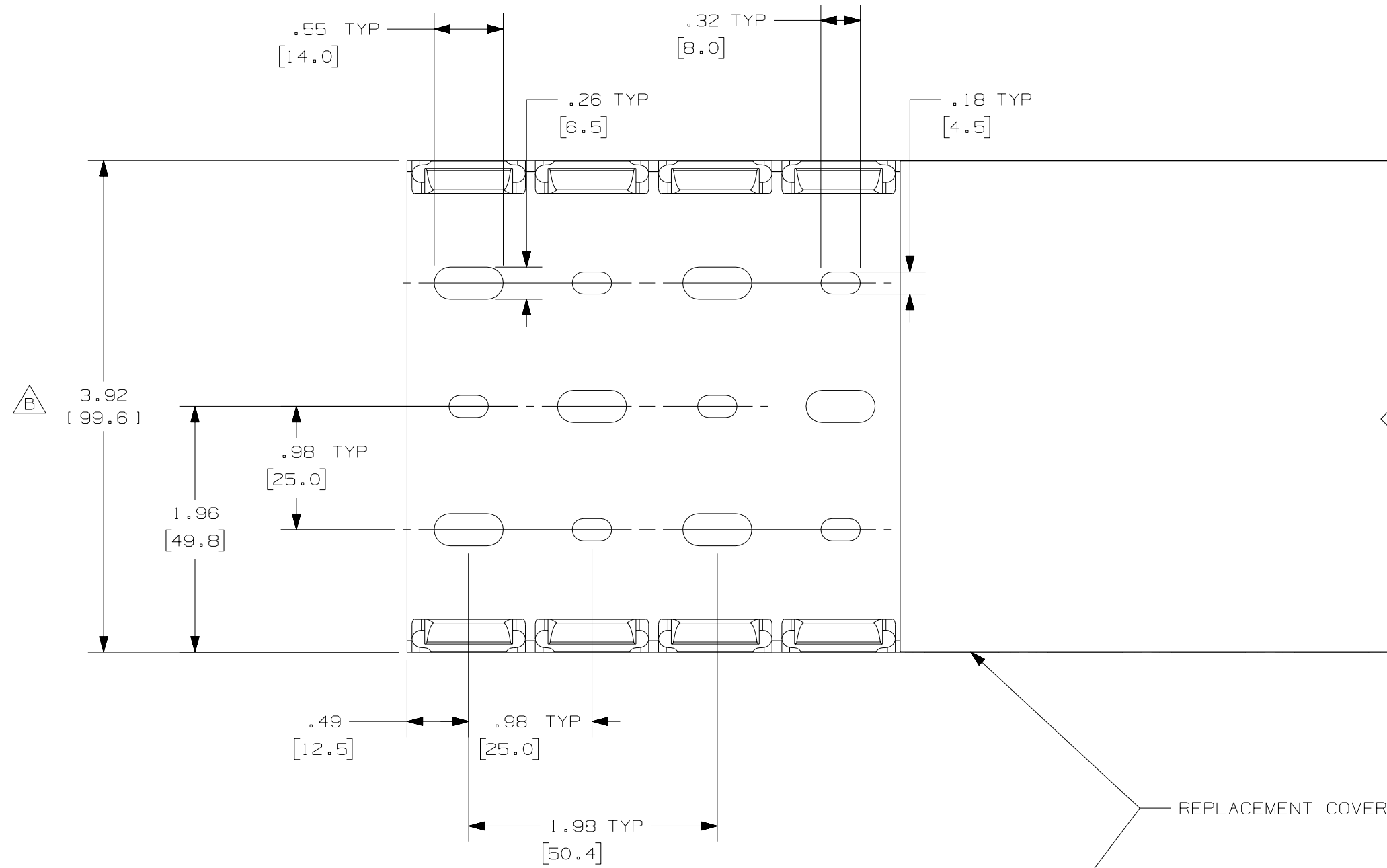


THIS COPY IS PROVIDED ON A RESTRICTED BASIS AND IS NOT TO BE USED IN ANY WAY DETRIMENTAL TO THE INTERESTS OF PANDUIT CORP.



NOTE.

1. ALL DIMENSIONS ARE REFERENCE ONLY.
2. DIMENSIONS IN PARENTHESES ARE METRIC.
3. THE ** DENOTE COLOR.
4. DUCT AND COVER ARE AVAILABLE IN 6.56 FT, 2 METER [2000.0] LENGTHS.

REV	DATE	BY	CHK	DESCRIPTION
--	-----	---	---	E. CHANGED MATERIAL - WAS PVC
--	-----	---	---	D. ADDED LENGTH NOTE C. CORRECTED DIMENSION
I	7/30/07	JCSTMKBE		B. DIMENSION ADDED A. DIMENSION DELETED
R	11/5/04	JCSTMKBE		DRAWING RELEASED

CAD FILENAME/LAYERS		D11000JM_DC_01B	
PANDUIT			
CORP. TINLEY PARK, ILLINOIS			
WIRING DUCT - TYPE NNC DUCT WITH COVER 100X100 MARKETING DRAWING			
DRWN BY JCST	MAT'L:	SCALE FULL	DWG C
DATE 11/5/04	HALOGEN FREE MODIFIED PPO	DRAWING NO. 36897-1038	SIZE C
CHECKED BY MKBE			