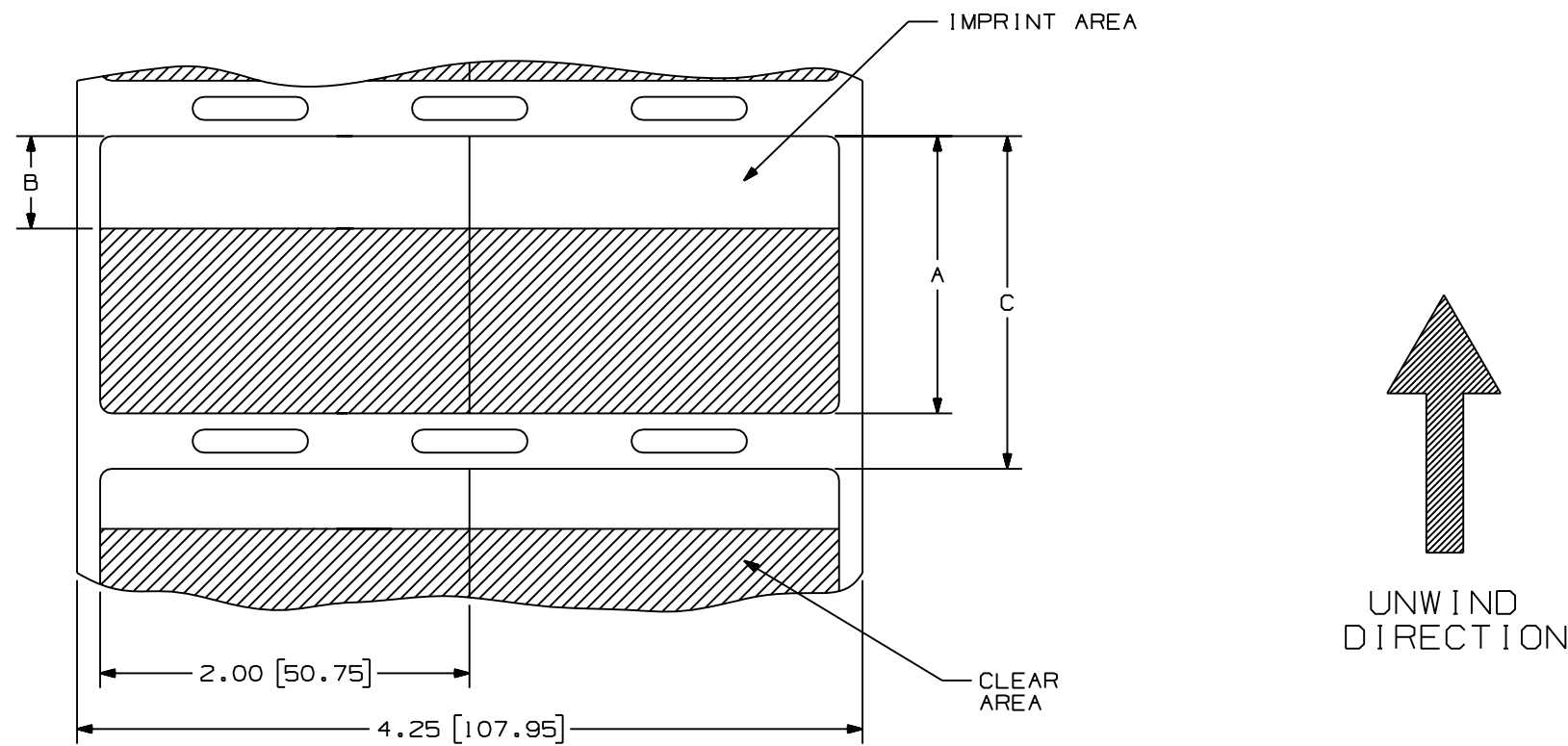


PART NUMBER	MATERIAL	A HEIGHT	IMPRINT AREA B	VERTICAL REPEAT C	LABELS PER ROW	STANDARD PKG. QTY.
S200X225VAT	GMV	2.250 [ 57.2 ]	0.75 +/- .031 [ 19.1 ]	2.500 [ 63.5 ]	2	1000
S200X400VAT	GMV	4.000 [ 101.6 ]	1.00 +/- .031 [ 25.4 ]	4.250 [ 108.0 ]	2	1000
S200X225VATY	GMV	2.250 [ 57.2 ]	0.75 +/- .031 [ 19.1 ]	2.500 [ 63.5 ]	2	1000
S200X400VATY	GMV	4.000 [ 101.6 ]	1.00 +/- .031 [ 25.4 ]	4.250 [ 108.0 ]	2	1000



NOTES:  
 1. MILLIMETERS ARE IN [ ].  
 2. SEE MFG. DWG. NO. A61157.

CAD FILENAME/LAYERS I00472DL\_C10199\_S200XNUMVAT\_00.PRT

**PANDUIT** CORP TINLEY PARK, ILLINOIS

OPTIMUM SELF-LAM. S200X\*\*\*VAT  
 THERMAL TRANSFER PRINTABLE LABELS

UNLESS OTHERWISE SPECIFIED,  
 DIMENSIONAL TOLERANCES ARE:  
 (.X) ± (.XXX) ± .010  
 (.XX) ± .03 ANGLES ±

UNLESS OTHERWISE SPECIFIED,  
 ALL DIMENSIONS ARE GIVEN IN  
 INCHES, THIRD ANGLE PROJECTION

REV	DATE	BY	CHK	DESCRIPTION	ECN	R	CUST	SUP
1	1-26-07	RVU		OBSOLETE THIS DRAWING.	4858	R		
0	9-22-04	RVU		DRAWING RELEASED.		R		

DRAWN BY RVU	MAT'L: SEE TABLE	SCALE NTS
DATE 9-22-04		DRAWING NO. C10199
CHK'D		DWG A SIZE