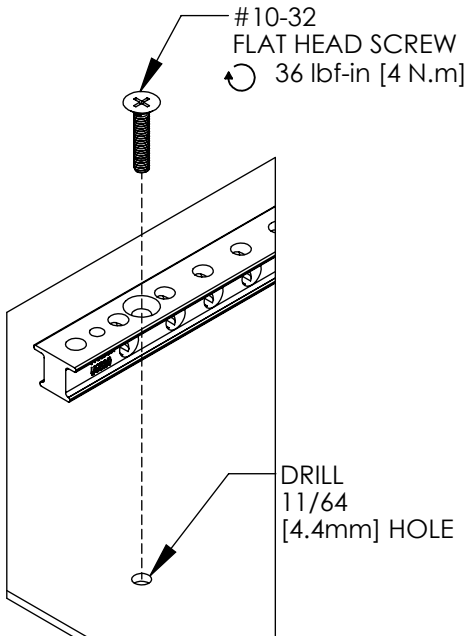
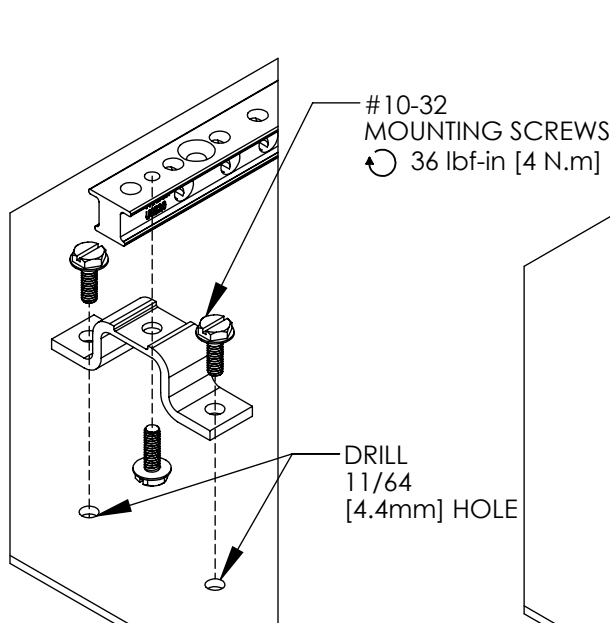


MOUNTING UNIVERSAL GROUND BAR

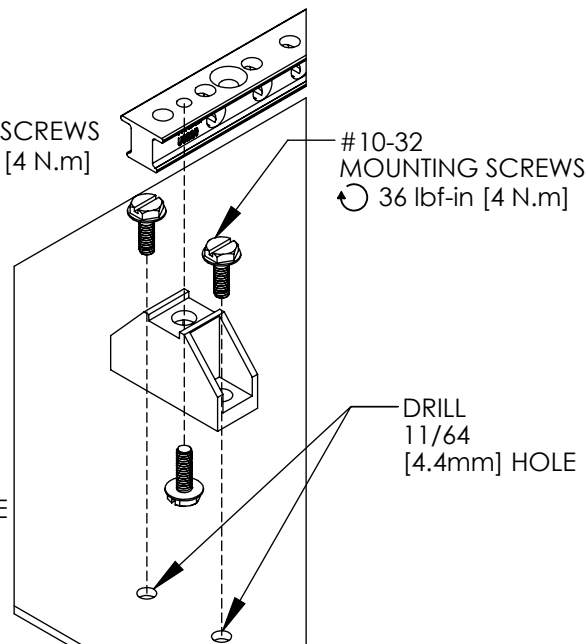
MOUNT DIRECTLY TO PANEL



MOUNT USING BONDING STAND-OFF UGB-B-SO

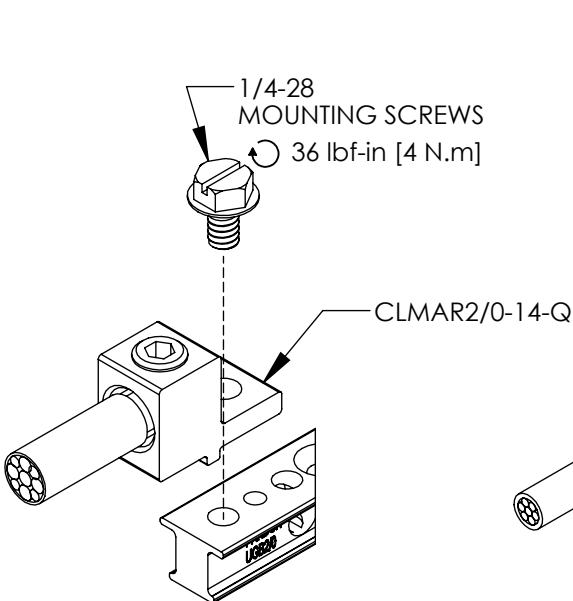


MOUNT USING ISOLATION STAND-OFF UGB-IN-SO

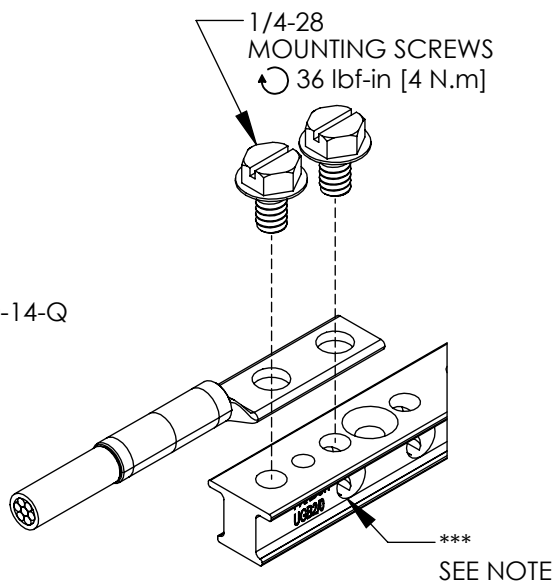


*ATTACHING "MAIN" EQUIPMENT GROUNDING CONDUCTOR TO UGB

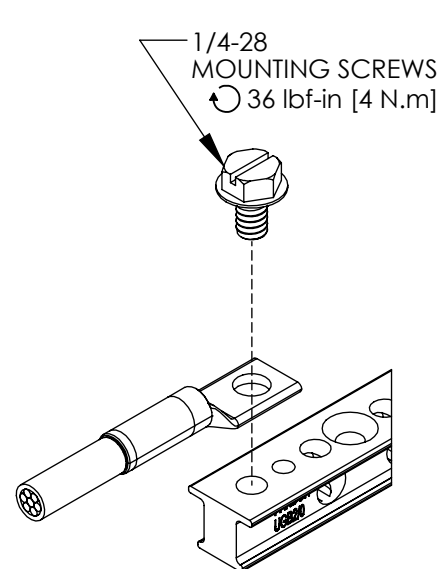
USING ANTI-ROTATIONAL CONNECTOR** CLMAR2/0-14-Q



USING 2 HOLE COPPER COMPRESSION CONNECTOR**, ***



USING 1 HOLE COPPER COMPRESSION CONNECTOR**



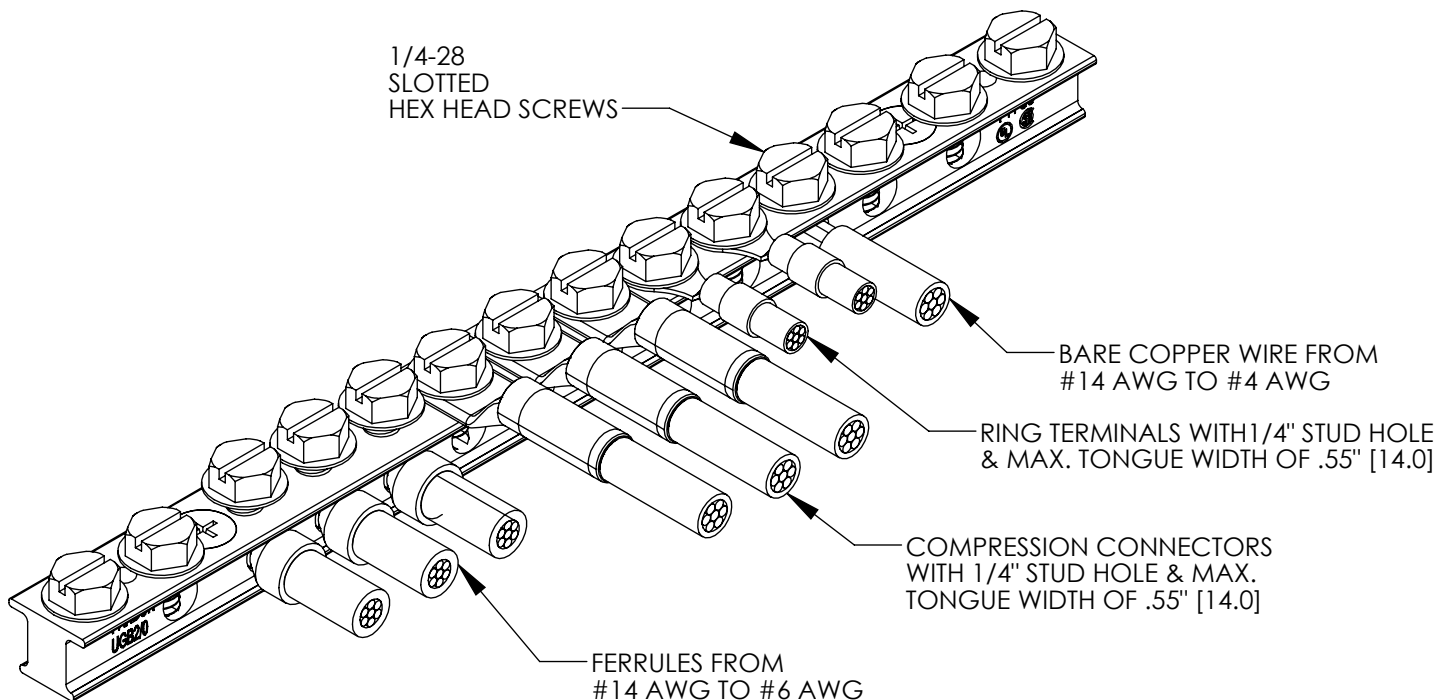
* "MAIN" EQUIPMENT GROUNDING CONDUCTOR MAXIMUM OF 2/0 AWG COPPER CONDUCTOR

** SEE PAGE 2 FOR CONNECTOR OPTIONS

*** WIRE PORT CANNOT BE USED WHEN CONNECTOR IS MOUNTED ABOVE WIRE PORT

ATTACHING WIRES TO "PORT" CONNECTIONS*

* EQUIPMENT GROUNDING CONDUCTOR MAXIMUM #4 AWG COPPER



AFFIX INCLUDED GROUNDING STICKER IN CLOSE PROXIMITY TO GROUND BAR

TIGHTENING TORQUE - IN-LBS [N.m]	
CONDUCTOR SIZE	ATTACHMENT METHOD
	BARE WIRE / TERMINAL / LUG / FERRULE
14 AWG - 10 AWG	35 [4.0]
8 AWG	40 [4.5]
6 AWG - 4 AWG	50 [5.6]

CONNECTOR OPTIONS FOR BOTH CODE AND FLEX WIRE

2 HOLE COPPER COMPRESSION CONNECTORS, 1/4" STUD HOLE WITH 5/8" SPACING:**
 PANDUIT PART SERIES: LCD, LCC, LCC-W, LCDX, LCCF, LCCX

1 HOLE COPPER COMPRESSION CONNECTORS, 1/4" STUD HOLE :**
 PANDUIT PART SERIES: LCAS, LCA, LCB, LCB-W, LCAX, LCAF, LCBX

PANDUIT ANTI-ROTATIONAL COPPER MECHANICAL CONNECTOR:
 PART # CLMAR2/0-14-Q (#14 AWG - 2/0 AWG)

TERMINALS - RING PART SERIES:
 PN-R, PN-RX, PNF-R, PV-R, PV-RX, PK-R, PH-R, PN-HDR, PV-HDR, PV-R, PV-RX, P-R, S-R, PMNF-R, PMV-R

FERRULES TYPE:
 FSD, F (12mm PIN LENGTH RECOMMENDED)

** 2 HOLE AND 1 HOLE COPPER COMPRESSION CONNECTORS AVAILABLE WITH SHORT, STANDARD, AND LONG BARREL LENGTHS. BENT TONGUE AND NARROW TONGUE OPTIONS ARE ALSO AVAILABLE.

For Instructions in Local Languages and Technical Support:



E-mail: cs@panduit.com

Fax: 708-444-6993