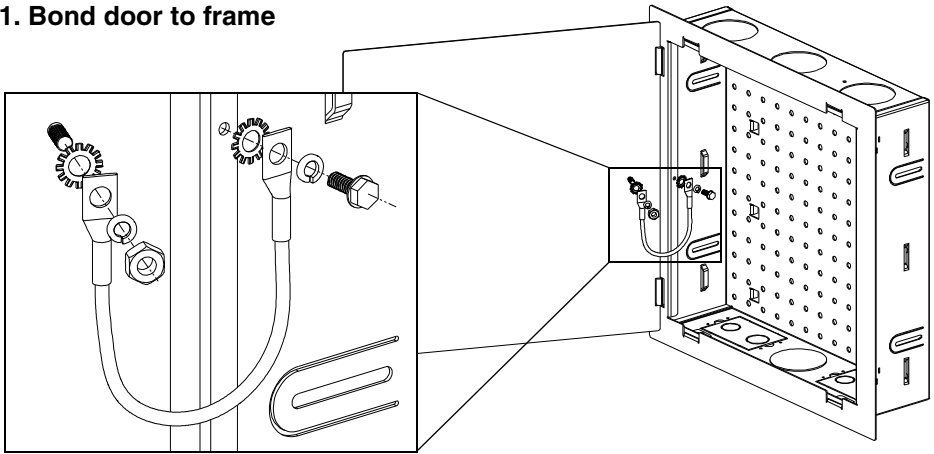
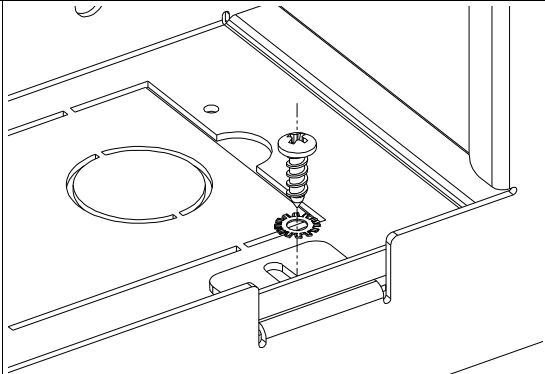


1. Bond door to frame



2. Bond frame to enclosure

Replace existing door frame screw with included thread forming screw.



3. Ground enclosure

Additional lug can be attached to free end of grounding cable as necessary.

