

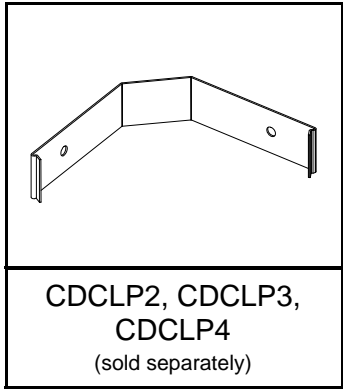
Panduct PanelMax One-Piece Corner Wiring Duct

For use with Panduit Panduct Types
F, G, FS and D Wiring Duct

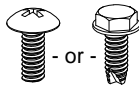
Part Numbers: CWD2**6, CWD3**6, CWD4**6, C2**6, CDCLP2, CDCLP3,
CDCLP4, CDLB3, CDLB4

Option 1 - Panduct Corner Wiring Duct Mounting Clip

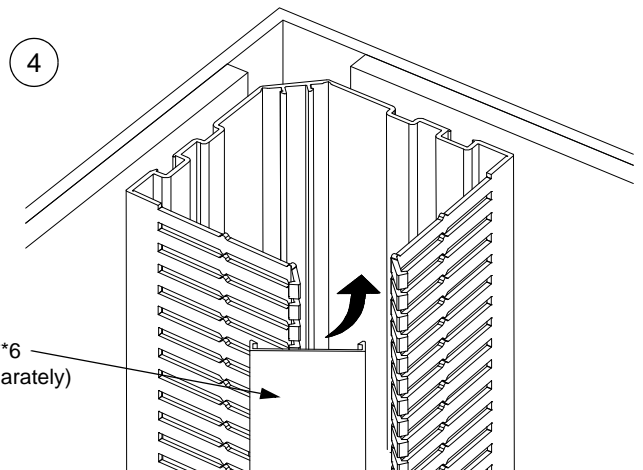
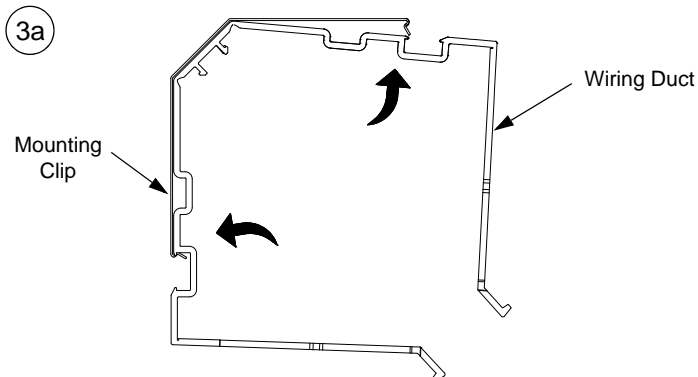
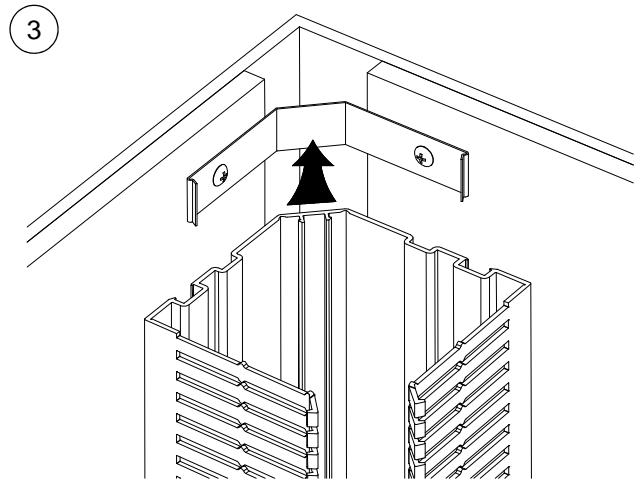
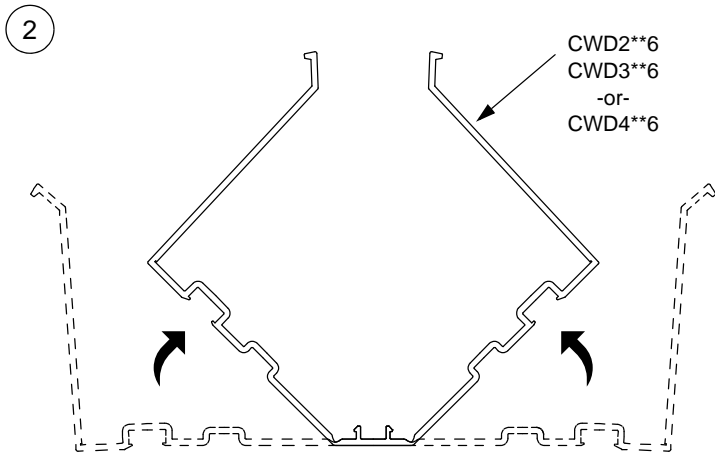
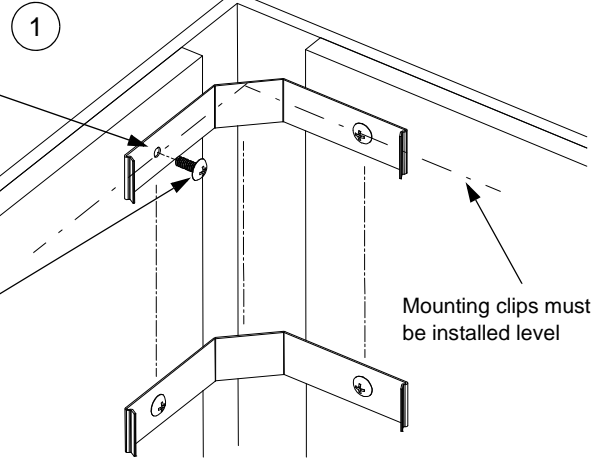
Note: Clips provide a permanent installation and are not intended to allow for product removal



Refer to chart on page 4 for
mounting hole locations

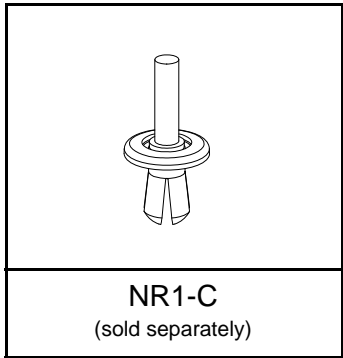


Note: #10-32 x 1/2" (or sheet metal
screw equivalent) to be supplied by
the installer/end user

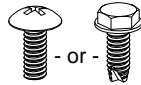


** Denotes color.

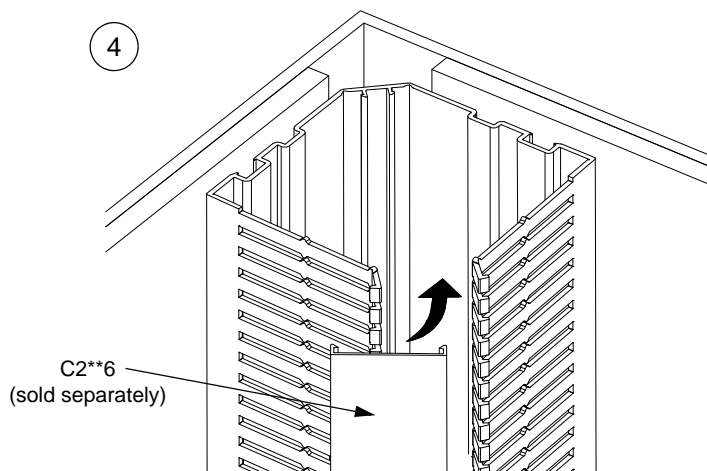
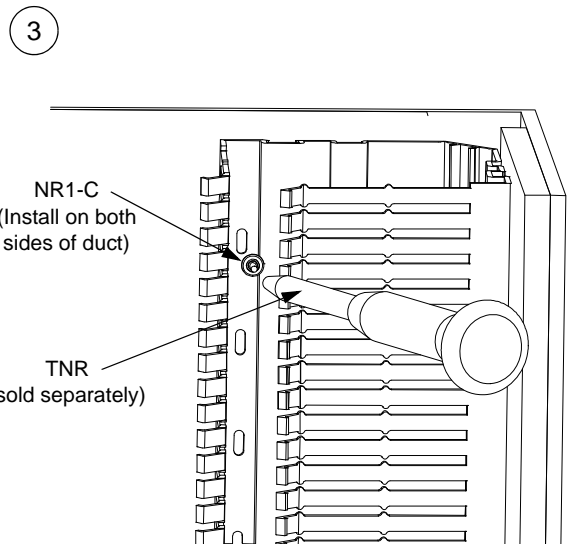
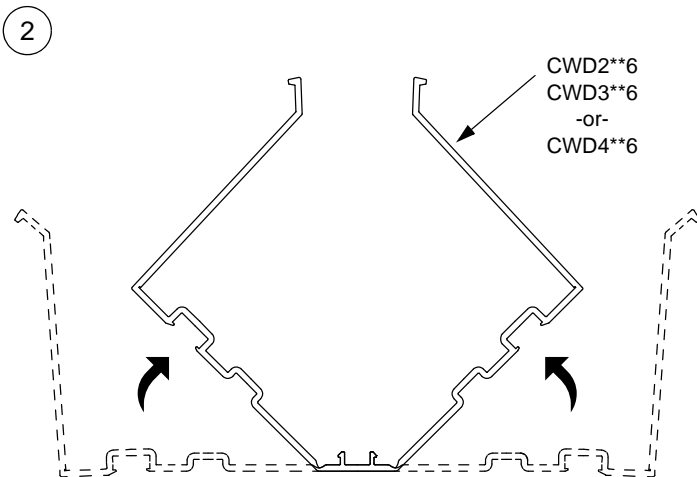
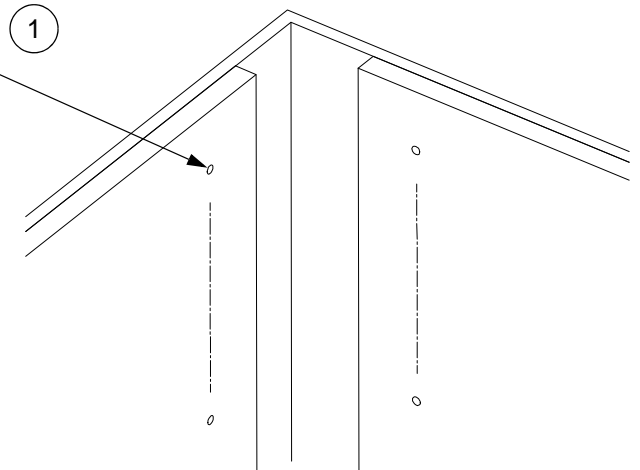
Option 2 - Panduct Nylon Rivets or Standard Fasteners



Refer to chart on page 4 for mounting hole locations

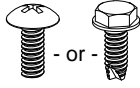
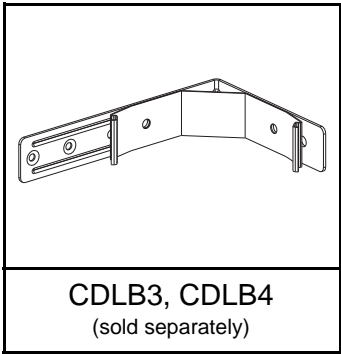


Note: #10-32 x 1/2" (or sheet metal screw equivalent) to be supplied by the installer/end user



Option 3 - Panduct Corner Wiring Duct L-Bracket Mounting

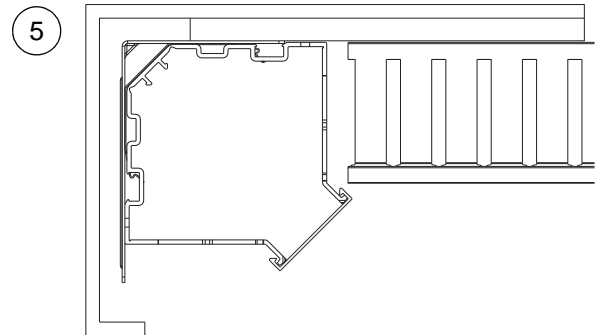
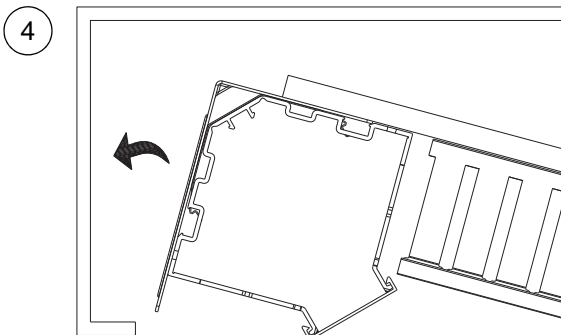
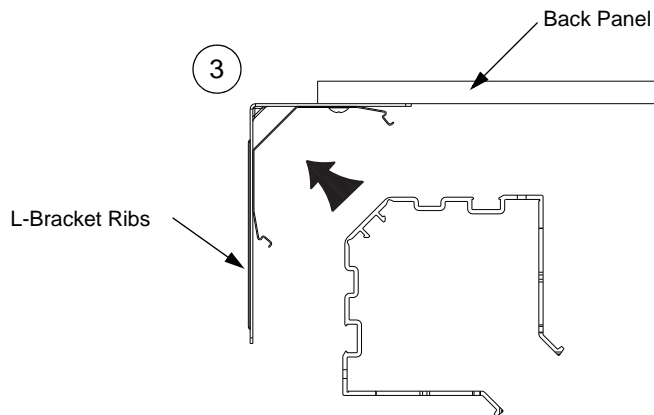
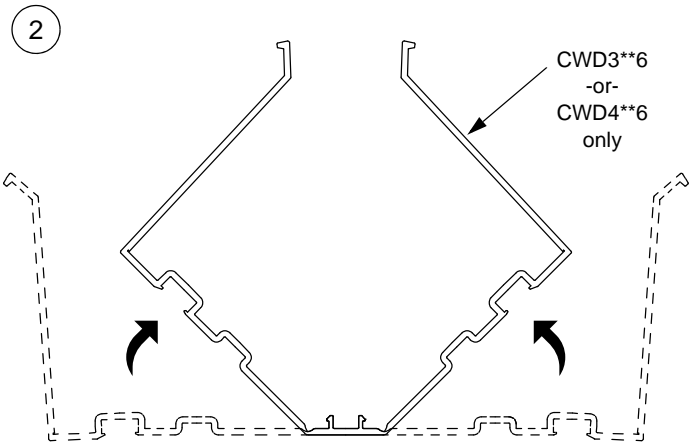
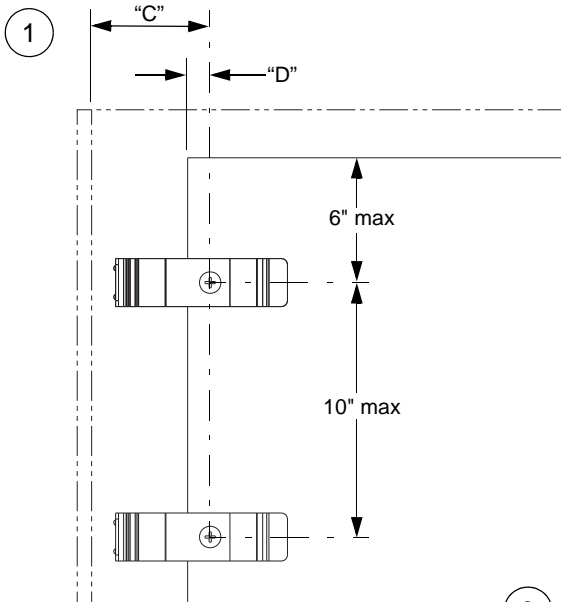
Note: For use in vertical applications only when no side panel is present.



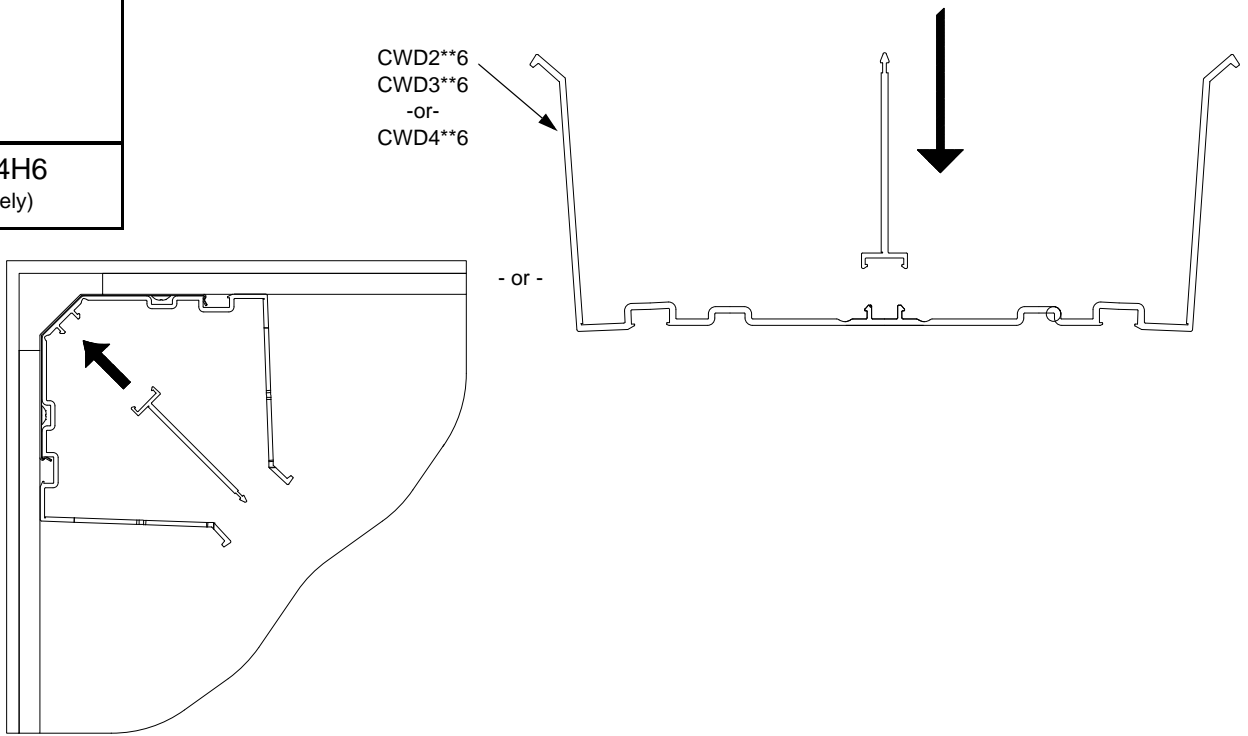
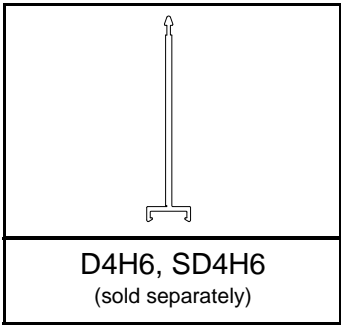
Note: #10-32 x 1/2" (or sheet metal screw equivalent) to be supplied by the installer/end user

| Corner Duct L-Bracket | "C" minimum clearance to side wall | "D" minimum distance to edge of back panel |
|-----------------------|------------------------------------|--------------------------------------------|
| CDLB3 | 2.03" (51.6) | 0.68" (17.4) |
| CDLB4 | 2.96" (75.2) | 0.68" (17.4) |

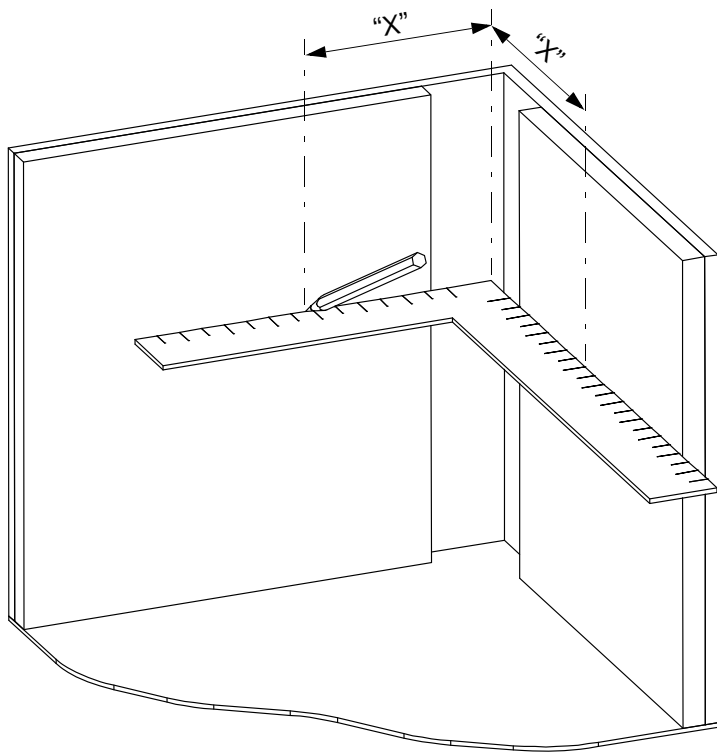
Dimensions may vary due to the depth of the side panel or due to the size of the panel opening.



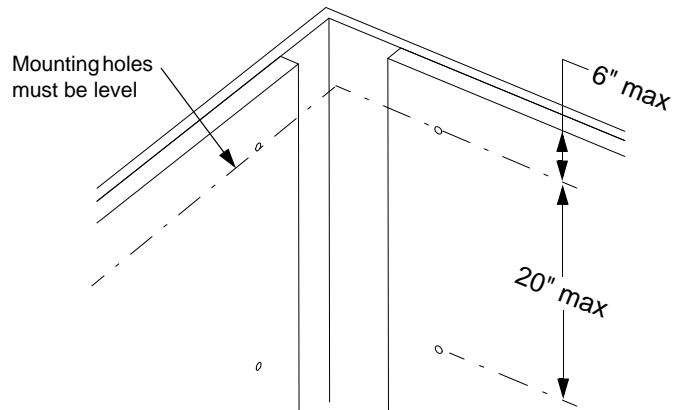
Optional Feature - Panduct Solid/Slotted Divider Wall



Mounting Hole Locations for CDCLP or Standard Fasteners (Options 1 and 2)



| Corner Duct | "X" Dimension | |
|-------------|------------------|-----------------------------|
| | CDCLP | Screws, Fasteners, or NR1-C |
| CWD2**6 | 1.60" (1 19/32") | 2.95" (2 15/16") |
| CWD3**6 | 1.91" (1 29/32") | 3.88" (3 7/8") |
| CWD4**6 | 2.84" (2 27/32") | 4.93" (4 15/16") |



| | | |
|------------------------------------------------------------------------------------------------------------------------------------------------------------------------------------------|-------------------------------------------|------------------------------------------------------------------------|
| <p>For Instructions in Local Languages and Technical Support: www.panduit.com/resources/install_maintain.asp</p> | <p>PANDUIT www.panduit.com</p> | <p>E-mail: techsupport@panduit.com Phone: 866-405-6654</p> |
|------------------------------------------------------------------------------------------------------------------------------------------------------------------------------------------|-------------------------------------------|------------------------------------------------------------------------|