

THIS COPY IS PROVIDED ON A RESTRICTED BASIS AND IS NOT TO BE USED IN ANY WAY DETRIMENTAL TO THE INTERESTS OF PANDUIT CORP.

NOTES: 1. DIMENSIONAL TOLERANCES:

.XX +/- .02 [ .5 ]

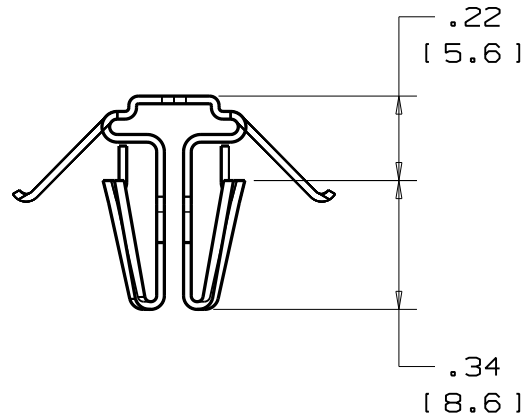
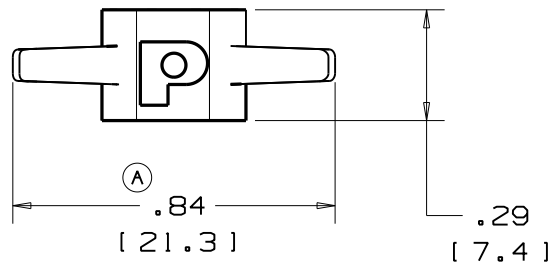
.XXX +/- .010 [ .25 ]

2. USE WITH STD AND HVY CROSS SECTION MLTs.

3. DIMENSIONS IN BRACKETS [ ] ARE MILLIMETERS

4. TO BE INSTALLED IN .31 [ 8 ] DIA HOLE.  
PLATE THICKNESS TO BE .031 - .093 [ 0.8 - 2.4 ]

5. PACKAGE QTY: Q = 25



N41077BS\_DC/03A

								<h1 style="margin: 0;">PANDUIT</h1> <p style="margin: 0;">CORP. TINLEY PARK, ILLINOIS</p>				
								<h2 style="margin: 0;">METAL PUSH WING MOUNT</h2> <h3 style="margin: 0;">MPWM-H56</h3>				
03A	4/09	JAMB	EJD	ORIGINAL CAD FILE SPEC & DWG NUMBER WAS S41077_02. ORIG REVS WERE 00,01,& 02. (A) DIM .84" [ 21.3 ] WAS .98" [ 24.9 ]				UNLESS OTHERWISE SPECIFIED, DIMENSIONAL TOLERANCES ARE: (.X) ± (.XXX) ± (.XX) ± ANGLES ±		UNLESS OTHERWISE SPECIFIED, ALL DIMENSIONS ARE GIVEN IN INCHES, THIRD ANGLE PROJECTION.		
02A	6/07	JAMB	SKB	UPDATED ALL MILLIMETER DIMENSIONS IN BRACKETS [ ]								SS00369
01A	1/01	KMD	JAC	ADDED NOTE 5 CAD FILE SPEC WAS N41077SA_PCD_00				01378	LA	GP	DRAWN BY BJO MAT'L:	
00A	11/92	BO	JAC	RELEASED				01265	LA	GP	304 STAINLESS STEEL	
REV	DATE	BY	CHK	DESCRIPTION				ECN #	CUST	PM		
										DRAWING NO. N41077BS_DC		DWG SIZE A