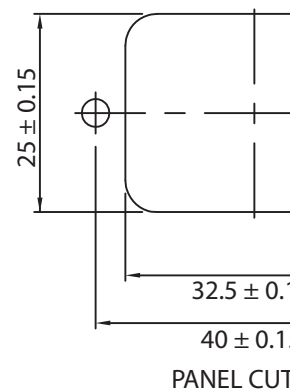
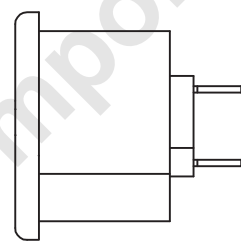
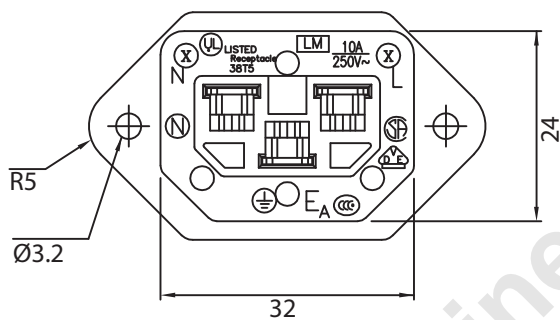
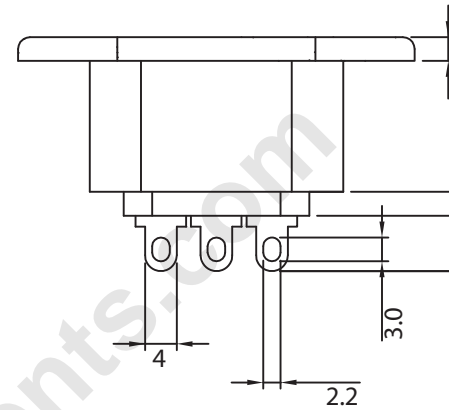
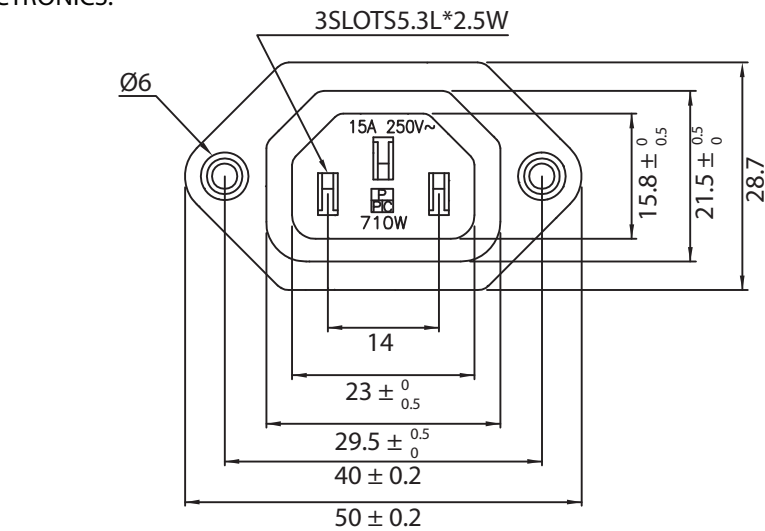


THESE DRAWINGS ARE THE PROPERTY OF QUALTEK ELECTRONICS AND NOT TO BE REPRODUCED FOR OR COMMUNICATED TO A THIRD PARTY WITHOUT THE EXPRESS WRITTEN PERMISSION OF AN OFFICER OF QUALTEK ELECTRONICS.

REV.	DESCRIPTION
B	RoHS Compliancy
C	Updated Specifications



NOTES:

MATERIAL:  
HOUSING: PBT  
TERMINAL: BRASS STRIP t=0.8mm TIN-PLATED  
RATING:  
UL, CSA: 15A 250V AC  
VDE, CCC: 10A 250V AC  
APPROVALS: UL, CSA, VDE, CCC  
RoHS COMPLIANT

Dim range (mm)	Tolerance +/- (mm)	Quality
0-1	0.40	Part Number: 71 Description: AC
1-6	0.50	
6-18	0.60	Drawn / Date B. ZHANG 01-14-05
18-50	0.70	
50-120	0.80	
120-250	0.90	
250-500	1.20	