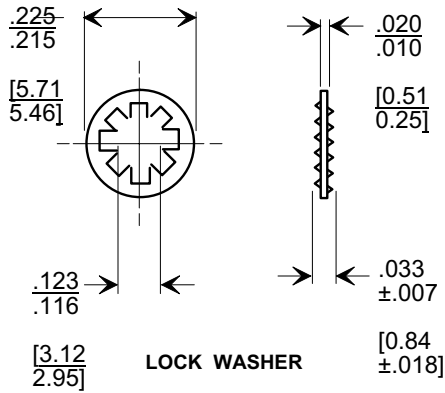
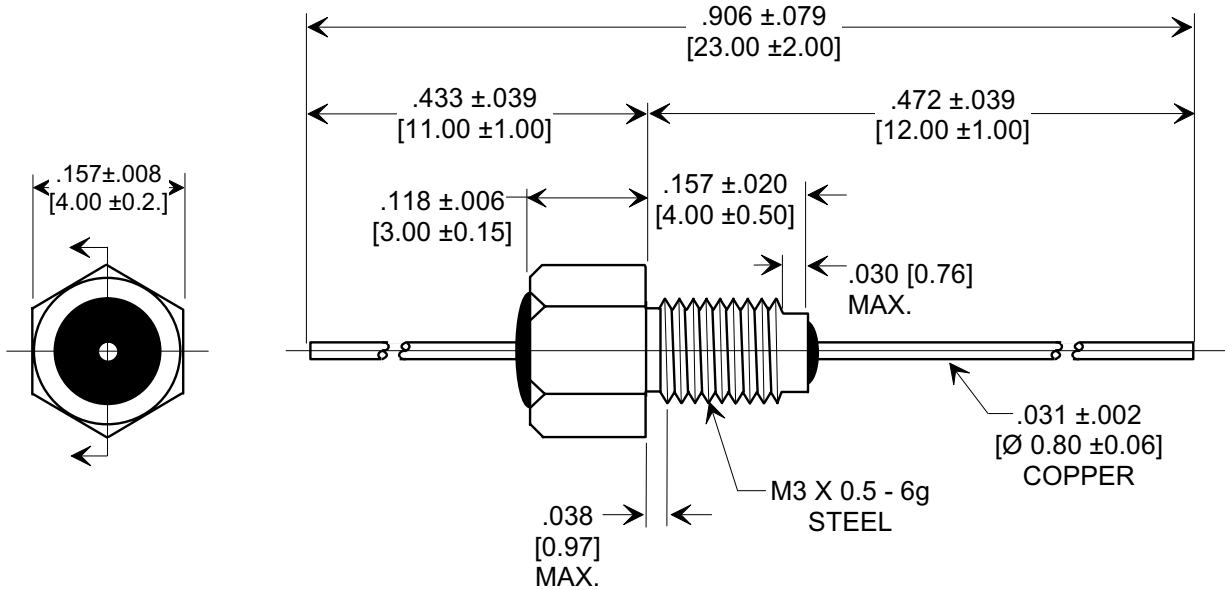
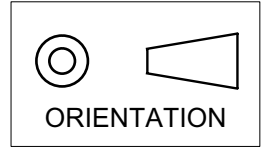
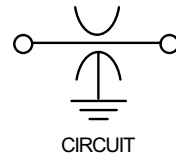


MARKETING SALES DRAWING

DIMENSIONS IN INCHES - DO NOT SCALE THIS DRAWING
DIMENSIONS IN METRIC []

This drawing is the property of Tusonix, Inc., and may not be used, reproduced, published or disclosed to others without expressed authorization by Tusonix Inc.

Electrical Testing
per Tusonix standard
test plans and Mil-Std-202
Test Methods.



NOTES:

1. OPERATING TEMP. RANGE: -55°C TO +125°C.
2. SILVER PLATED CASE, LEAD, AND MOUNTING HARDWARE.
3. MAX. RECOMMENDED MOUNTING TORQUE : 2.0 in. lb. [0.23 Nm]
4. MAX. RECOMMENDED SOLDERING TEMPERATURE : 260° C.
SEE INSTALLATION RECOMMENDATIONS.
5. LOCK WASHER INCLUDED.
6. TUSONIX STANDARD PART NUMBER: 4400-682.
TUSONIX RoHS COMPLIANT PART NUMBER: 4400-682 LF.
CUSTOMER MUST SPECIFY STANDARD OR RoHS PART NUMBER WHEN ORDERING.
7. PART MARKING: TRADEMARK AND VARIATION NUMBER ON HEX FLATS. STANDARD PART: BLACK INK. RoHS PART: DARK GREEN INK FOR IDENTIFICATION.

CAP.(pf)	TOL.	DC WORKING VOLTAGE		DC CURRENT (AMPS)	I.R. MIN. @ 100 (VDC)	DWV (VDC)	MIN. NO LOAD INSERTION LOSS (db) @ 25°C PER MIL-STD-220				
		85°C	125 °C				1 MHz	10 MHz	100 MHz	1 GHz	10 GHz
5	MAX.	300	200	10	10 G Ω	500	----	----	----	----	----

X-2015 Rev-0

REVISION RECORD	Original Release C.O.	WAS SK 7452-000. SM 03-03-98	0	ADDED & REVISED NOTES. ADDED IR & DWV. SM 03-03-98	1	TUSONIX TUCSON, ARIZONA	--TOLERANCES-- Unless Otherwise Specified	Title	
	19980224-6-02	20060123-9-03	DECIMAL ± NOTED				LINE FEED - THRU		
			ANGLES ±				Drawn	S.M. 02-23-98	
							Approved	J.Mc. 02-23-98	
			A	4400-682					