



L60 Series 0.230" (5.9mm) Watertight LED Panel Mount Indicator



L60 Series offers a robust body with drip-proof protection in a small package

Applications

- automotive
- aerospace
- industrial
- instrumentation
- medical
- military
- mining
- outdoor
- safety
- transportation
- vending & gaming machines

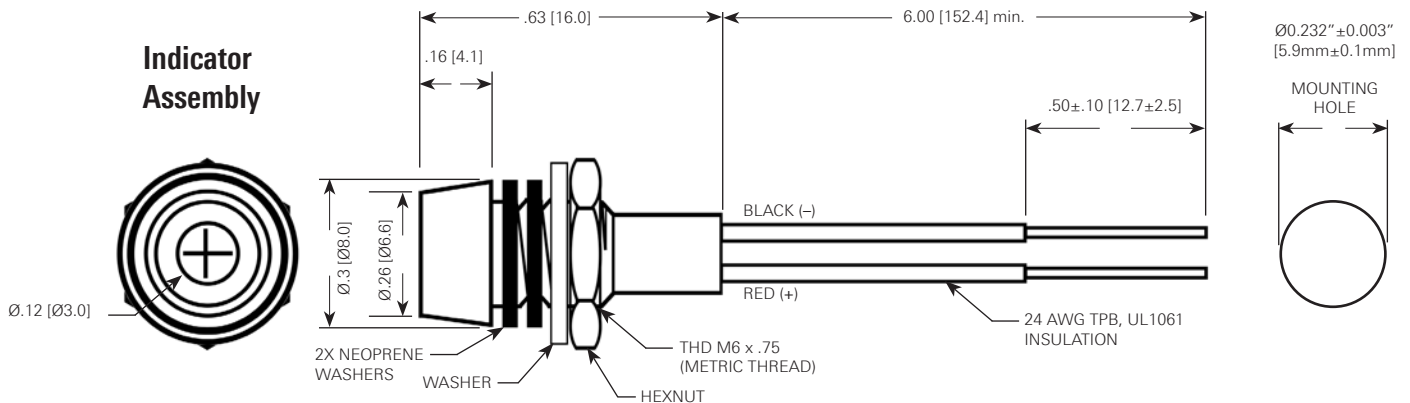
Key features

- watertight
- tinted diffused LEDs
- reflective chrome-plated body
- 45° viewing angle
- mounting hardware provided
- 6" (152.4mm) wire leads, 24 AWG
- mounting hole 0.232" ±0.003" (5.9mm ±0.1mm)
- maximum panel thickness 0.070" (1.7mm)
- RoHS compliant

Product specifications

VCC Model Number	Output Color	Design Voltage / Current (Vf/If)	Max. Voltage / Current (Vf/If)	Typical Intensity (mcd)	Peak Wavelength (nm)
L60D-R5-W	RED	5VDC / 17mA	5.5VDC / 20mA	60	635
L60D-A5-W	AMBER	5VDC / 17mA	5.5VDC / 20mA	30	583
L60D-G5-W	GREEN	5VDC / 17mA	5.5VDC / 20mA	44	565
L60D-R12-W	RED	12VDC / 16mA	14VDC / 19mA	60	635
L60D-A12-W	AMBER	12VDC / 16mA	14VDC / 19mA	30	583
L60D-G12-W	GREEN	12VDC / 16mA	14VDC / 19mA	44	565
L60D-R28-W	RED	28VDC / 15.8mA	30VDC / 17.5mA	60	635
L60D-A28-W	AMBER	28VDC / 15.8mA	30VDC / 17.5mA	30	583
L60D-G28-W	GREEN	28VDC / 15.8mA	30VDC / 17.5mA	44	565

Dimensions



engineered to light up your design

www.vcclite.com

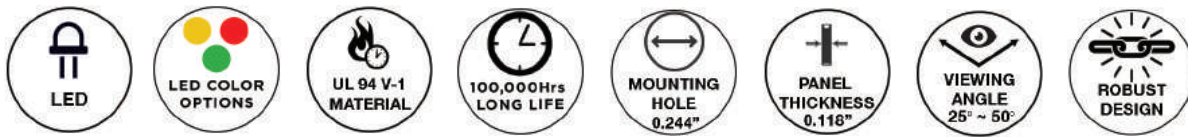
1.800.522.5546



L63 Series 3mm LED Robust Panel Mount Indicator Mounting Hole 0.244" (6.2mm)



L63 is available in a robust body and protruding LED position, supplied with lock washer and hex nut, in three different diffused LEDs colors



Applications

- Industrial
- Transportation
- Food Service
- People Movers
- Medical
- Maritime
- Oil and Gas Industry
- Manufacturing
- Automation & Control

Key Features

- Mounting Hole Size: 0.244" (6.2mm)
- Max. Panel Thickness: 0.118" (3.0mm)
- Max. Mounting Torque: 5.9 lbs-in (6.8kg-cm)
- Three colors available: Red, Green, Yellow
- Low power consumption
- Body Material: Brass, chromium plated
- Base Material: Phenolic (UL94 V-1)
- Diffused T-1 (3mm) LED
- Viewing angle: from 25° to 50°
- Straight leads terminals
- Operating Voltage of 2 ~ 3.2 VDC
- Front panel mounting
- Life expectancy of 100,000 hours
- High brightness LEDs for daylight viewing
- Mounting hardware provided. Fixing nut and washer included
- Protruding LED position
- Low power consumption
- Compliant with RoHS and REACH requirements
- Order gasket separately to provide water, oil, air and dust tight.
- For customized options, please contact us

Ordering Data

The L63 Series is available in a range of standard features and options. To specify your Panel Mount Indicator, simply choose one option from each column.

Series	LED Size	LED Type Lens	Color	Termination Style
L	63	D		L

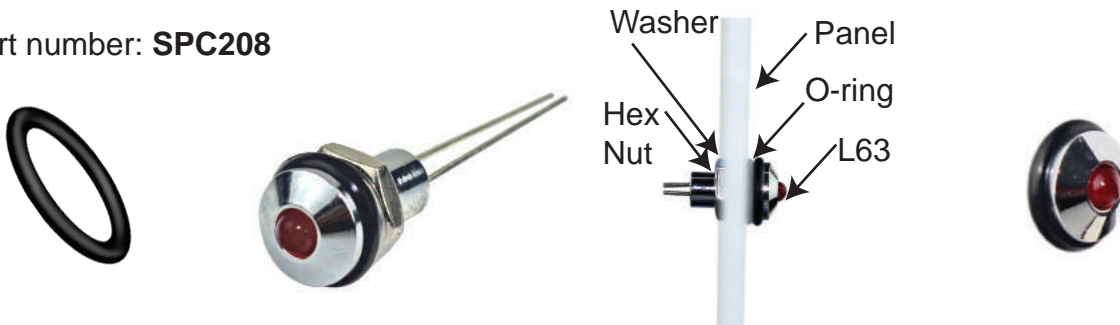
3mm LED	Diffused		Straight Leads
---------	----------	--	----------------

Color	Color Code	luminous intensity (Typ)
Green	G2	30 mcd
Red	R2	60 mcd
Yellow	Y2	30 mcd

Diffused Green	L63DG2L
Diffused Red	L63DR2L
Diffused Yellow	L63DY2L

Accessories Ordering Data [order separately]

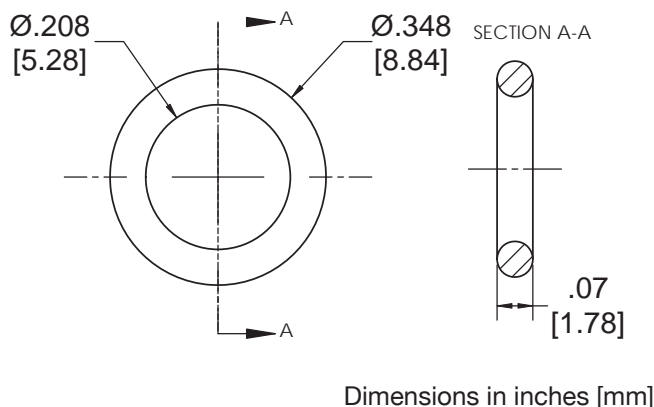
O-ring part number: **SPC208**



The Gasket O-ring SPC208 for the L63 Series is designed to seal many types of media, including water, air, dust, and oil.

The panel gasket is intended to provide a seal between the panel and the L63 Panel Mount Indicator.

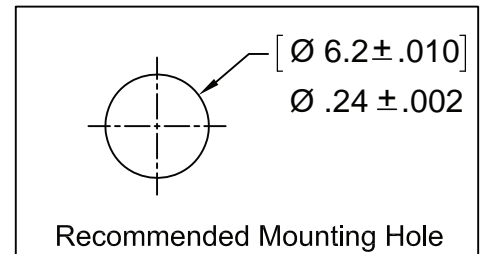
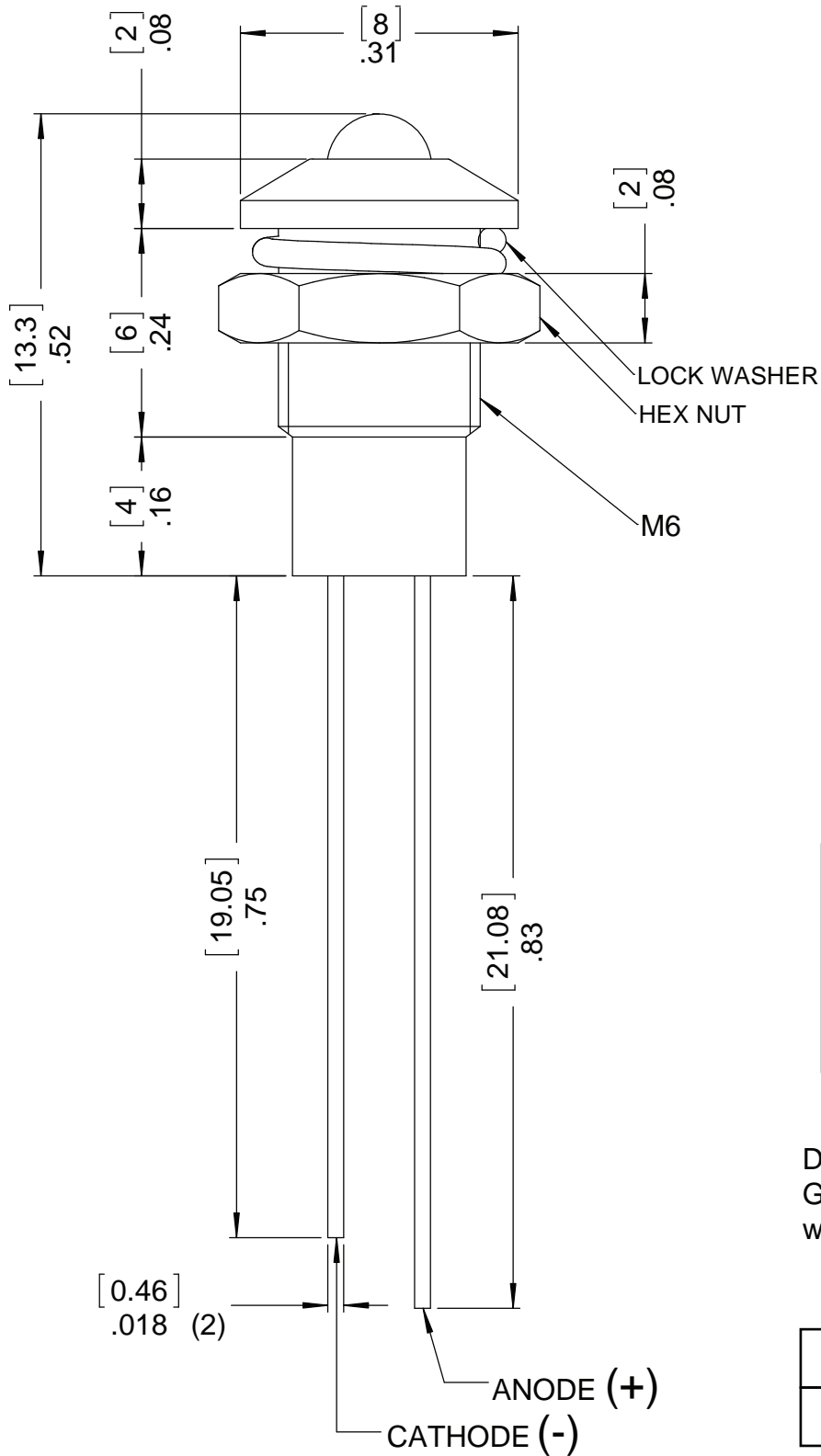
Meets ASTM D2000 standard.



Material
Buna-N, Durometer A70, black

Installation Specification	
Internal Diameter	0.208" (5.28 mm)
Thickness	0.07" (1.78 mm)
Operational Temperature	-20°F to +250°F -28.9°C to +121.1°C

Product Dimensions



Dimensions in [mm] inches
 General tolerances unless otherwise specified:

	inches	mm
.X	±.020	±.508
.XX	±.010	±.254

Product Specifications

Materials	
Body	Brass, Chromium Plated
Base	Phenolic UL 94 V-1

Temperature Specifications	
Operating Temperature	-25°C to +80°C -13°F to +176°F
Storage Temperature	-25°C to +85°C -13°F to +185°F

Installation Specifications	
Mounting Hole	0.244" (6.2 mm)
Mounting Torque	5.9 lbf-in (6.8 kgf-cm)
Panel Thickness	0.019" to 0.118" (0.5 to 3.0 mm)
Straight Leads Terminals	Anode(+): 21.08" (0.83 mm) Cathode(-): 19.05" (0.75 mm)

LED Color	V _F (V)			I _F (mA)	Viewing angle
	min.	typ.	max.		
Green Diffused	2.8	3.2	3.6	20	25
Red Diffused	1.8	2.1	2.5	20	25
Yellow Diffused	1.8	2.0	2.45	20	50

LED Color	Wavelength (nm)	Luminosity (mcd)
Green	568-573	30
Red	630-635	60
Yellow	590-595	30

Compliances and Approvals

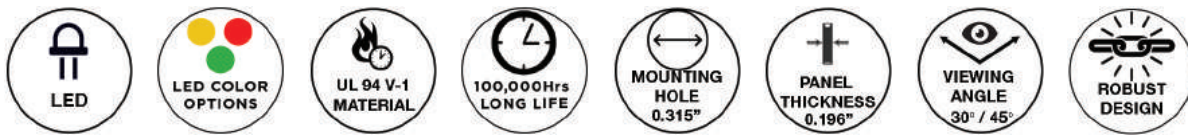




L65 Series 5mm LED Robust Panel Mount Indicator Mounting Hole 0.315" (8.0mm)



L65 is available in a robust body and recessed LED position, supplied with lock washer and hex nut, in three different diffused LEDs colors



Applications

- Industrial
- Transportation
- Food Service
- People Movers
- Medical
- Maritime
- Oil and Gas Industry
- Manufacturing
- Automation & Control

Key Features

- Mounting Hole Size: 0.315" (8.0mm)
- Max. Panel Thickness: 0.196" (5.0mm)
- Max. Mounting Torque: 5.9 lbs-in (6.8kg-cm)
- Three colors available: Red, Green, Yellow
- Low power consumption
- Body Material: Brass, chromium plated
- Base Material: Phenolic (UL94 V-1)
- Diffused T-1 3/4 (5mm) LED
- Straight leads terminals
- Rated Voltage from 2 to 24 VDC
- Reflector designed to allow maximum light distribution with a 30° or 45° viewing angle
- Front panel mounting
- Life expectancy of 100,000 hours
- High brightness LEDs for daylight viewing
- Mounting hardware provided. Fixing nut and washer included
- Recessed LED position
- Low power consumption
- Compliant with RoHS and REACH requirements
- Order gasket separately to provide water, oil, air and dust seal
- For customized options, please contact our technical sales specialists

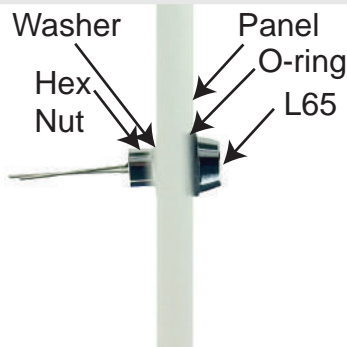
Ordering Data

The L65 Series is available in a range of standard features and options. To specify your Panel Mount Indicator, simply choose one option from each column.

Series	LED Size	LED Type Lens	Color	Rated Voltage	Termination Style
L	65	D			L
	5mm LED	Diffused			Straight Leads
			Green		
			Red		
			Yellow		
			G	2	2 VDC
			R	12	12 VDC
			Y	24	24 VDC

Accessories Ordering Data [order separately]

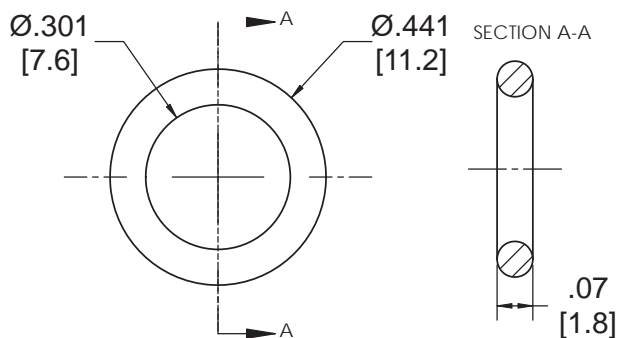
O-ring part number: **SPC301**



The Gasket O-ring SPC301 for the L65 Series is designed to seal many types of media, including water, air, dust, and oil.

The panel gasket is intended to provide a seal between the panel and the L65 Panel Mount Indicator.

Meets ASTM D2000 standard.



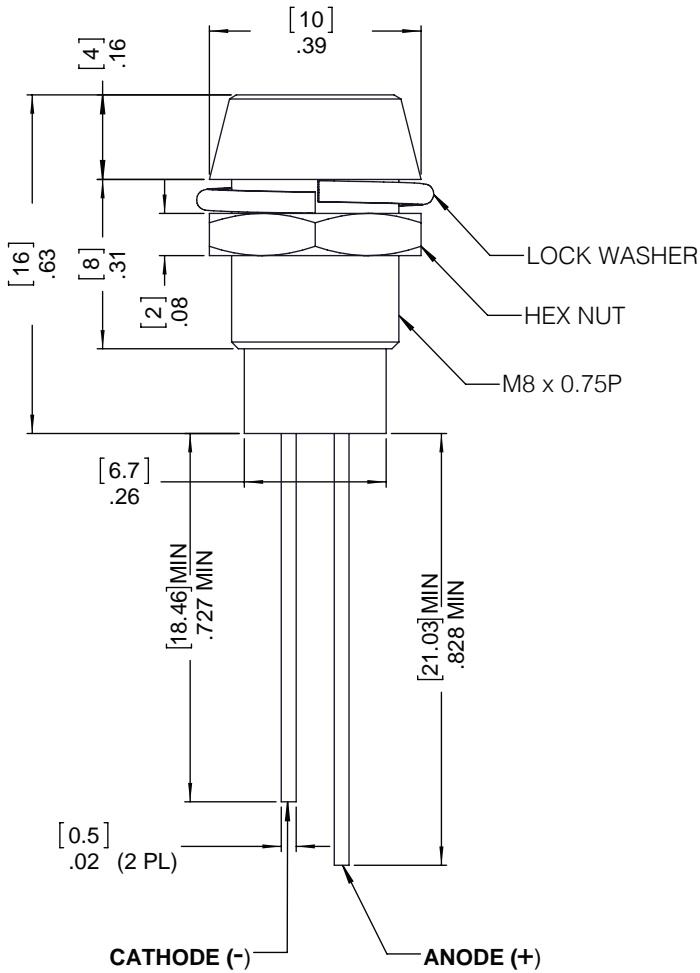
Dimensions in inches [mm]

Material	
Buna-N, Durometer A70, black	

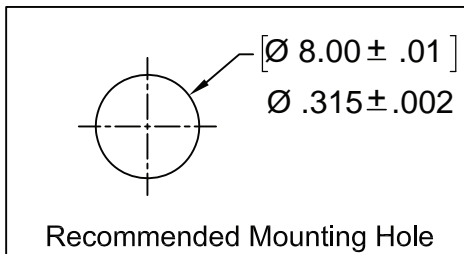
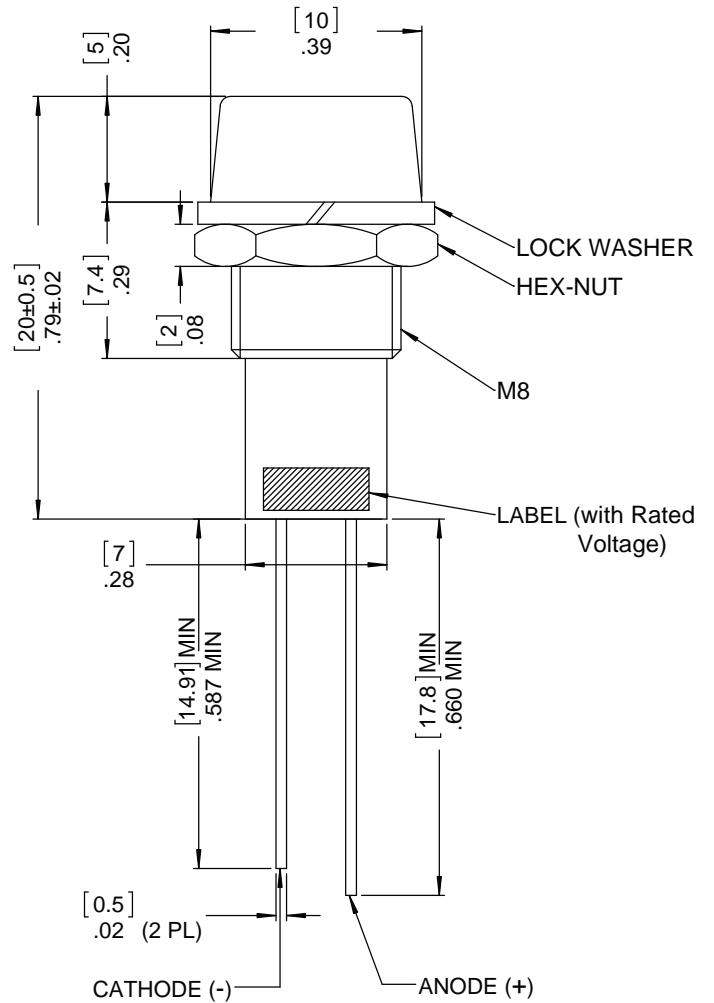
Installation Specification	
Internal Diameter	0.301" (7.6 mm)
Thickness	0.07" (1.8 mm)
Operational Temperature	-20°F to +250°F -28.9°C to +121.1°C

Product Dimension

L65DX2L



L65DX12L
L65DX24L



Dimensions in [mm] inches
General tolerances unless otherwise specified:

	inches	mm
.X	± .020	± .508
.XX	± .010	± .254

Product Specifications

Materials	
Body	Brass, Chromium Plated
Base	Phenolic UL 94 V-1
Leads	Ag/Cu plated Iron

Temperature Specifications	
Operating Temperature	-25°C to +85°C -13°F to +185°F
Storage Temperature	-25°C to +85°C -13°F to +185°F

Installation Specifications	
Mounting Hole	0.315" (8.0 mm)
Mounting Torque (max)	5.9 lbf-in (6.8 kgf-cm)
Panel Thickness	0.019" to 0.196" (0.5 to 5.0 mm)

Part Number	Rated Voltage (V)	V_F			V_R (V) max.	I_F (mA)	Viewing Angle (deg.)	Color	Luminous Intensity typ. (mcd)	Wavelength (nm)
		min.	typ.	max.						
L65DG2L	2	2.8	3.2	3.8	5	20	45	Green	1500	510-522
L65DR2L	2	1.7	1.9	2.4	5	20	45	Red	400	620-625
L65DY2L	2	1.7	2.1	2.6	5	20	30	Yellow	1500	585-595
L65DG12L	12	8.5	11.5	-	5	10	30	Green	20	565-575
L65DR12L	12	10	12	-	5	10	30	Red	30	617-627
L65DY12L	12	8.5	11.5	-	5	10	30	Yellow	15	582-592
L65DG24L	24	20	24	-	5	10	30	Green	8	565-575
L65DR24L	24	20	24	25	5	20	30	Red	10	595-705
L65DY24L	24	20	24	25	5	20	30	Yellow	20	580-590

Compliances and Approvals

