

Amphenol[®] RF

SMART AGRICULTURE SOLUTIONS GUIDE

Sealed Solutions For A Growing World

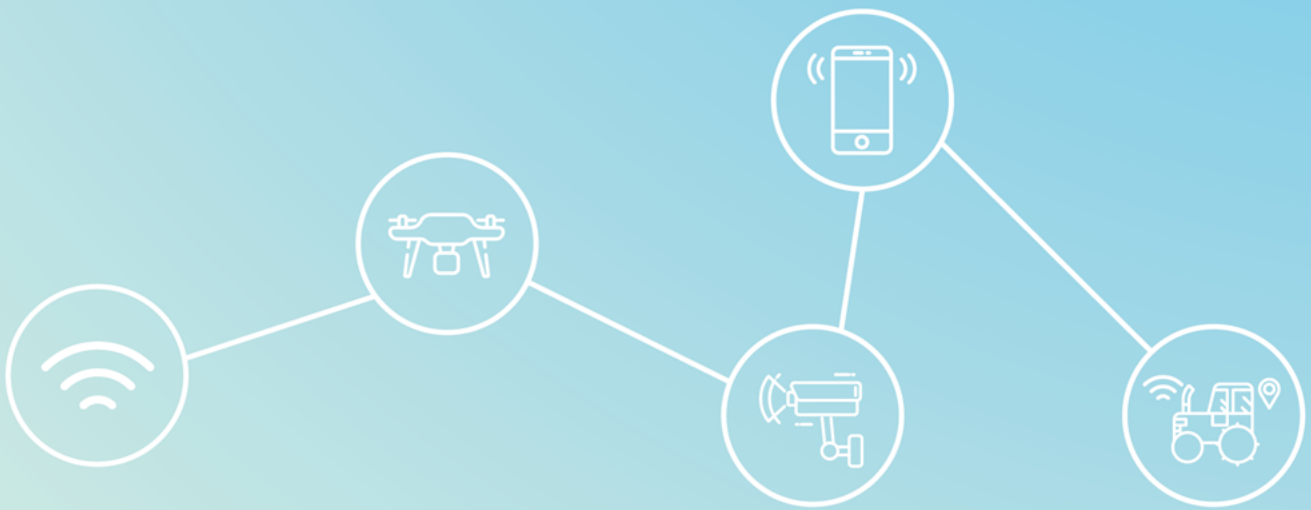


TABLE OF CONTENTS

About Amphenol RF	3
Smart Agriculture Overview	4
Ingress Protection (IP) Rating Overview	5
Application Matrix	6
Applications Overview	7
Custom Capabilities	9
Product Reference Guides	10
AMC	11
AMMC	13
BNC	15
FAKRA	18
MCX	19
MMCX	21
N Type	23
SMA	26
SMB	30
TNC	33
Cable Assemblies	36
Adapters	46

ABOUT AMPHENOL RF

Amphenol RF is the largest manufacturer of radio frequency connectors, coaxial adapters and RF cable assemblies in the world. With a global team of experienced engineers, Amphenol RF is able to offer the broadest portfolio of standard RF products on the market today. Our engineering capabilities extend to custom product development to meet the challenges of design-specific constraints.

Amphenol RF has a global footprint of operations in North America, Europe and Asia.

SMART AGRICULTURE OVERVIEW

Smart Agriculture solutions can provide a wealth of benefits to farmers through sensors, geolocation, and data analytics software. Location-tagged data and web-based applications enable farmers to analyze their yields in detail, while cloud-based commands to drones, robotics, and other systems can automate precision farming.

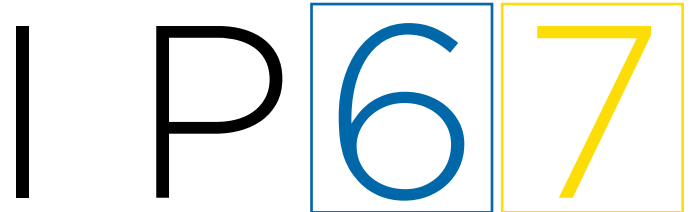


SEALED SOLUTIONS

As most Smart Agriculture hardware is deployed outdoors across wide areas, weather-resistant sealed electronics for wireless connectivity are critical. IP-rated sealed connectors, cable assemblies, and adapters from Amphenol RF enable cloud connectivity for all Smart Agriculture solutions.

INGRESS PROTECTION (IP) RATING OVERVIEW

Connectors may be susceptible to ingress of foreign materials such as moisture or dust, particularly in the unmated condition. Protection from this ingress is provided for connectors by their housing and the seal between the plug, jack, and cable or between a jack and a panel. The IP standard rating system defines the degree of protection provided. The standard IEC 60529 has specified the degree of protection and divided it into several levels, defined by the IP number, which has the letters IP followed by two digits. The first digit defines the protection against the ingress of dust particles, the second digit defines the protection against the ingress of water. The tables below show IP ratings for electrical connectors:



1 st Digit	Definition
0	No Protection against contact and ingress of objects.
1	Protected against any large surface of the body, such as the back of a hand. Protected against solid objects greater than 50mm in size.
2	Protected against access to hazardous parts by a finger or similar object. Protected against solid objects greater than 12.5mm in size.
3	Protected against access to hazardous parts with a tool or thick wire. Protected against solid objects greater than 2.5mm in size.
4	Protected against access to hazardous parts with a wire, screw, etc. Protected against solid objects greater than 1mm in size.
5	Protected against access to hazardous parts. Dust protected.
6	Protected against access to hazardous parts. Dust-tight.

2 nd Digit	Definition
0	No Protection
1	Protected against water drops
2	Protected against water drops at a 15 degree angle
3	Protected against water spray at 60 degree angle
4	Protected against water splashing from any angle
5	Protected against water jets from any angle
6	Protected against powerful water jets and heavy seas
7	Protected against the effects of temporary submersion in water. Test requires 30 minutes at 1 meter depth.
8	Protected against the effects of temporary submersion. Customer specification applies and specific testing may be required.
9K	Protects against high pressures associated with steam cleaning.

APPLICATION MATRIX

	FIELD & WEATHER MONITORING	GEOLOCATION	SMART IRRIGATION	LIVESTOCK MANAGEMENT	DRONES	ROBOTICS	SMART GREENHOUSE	FISHERIES MONITORING	PRODUCE MONITORING	MAX FREQUENCY	IMPEDANCE	COUPLING
AFI										6 GHz	50 & 75 Ohm	Snap-On
AFI-Dart										18 GHz	50 & 75 Ohm	Snap-On
AMC	•	•	•	•	•	•	•	•	•	6 GHz	50 Ohm	Snap-On
AMMC	•	•	•	•	•	•	•	•	•	6 GHz	50 Ohm	Snap-On
BNC	•	•	•	•	•	•	•	•	•	11 GHz	50 & 75 Ohm	Bayonet
FAKRA	•	•	•	•	•	•	•	•	•	4 GHz	50 Ohm	Snap-On
F Type										1 GHz	75 Ohm	Threaded
HD-BNC	•	•	•	•	•	•	•	•	•	18 GHz	50 & 75 Ohm	Bayonet
HD-EFI										6 GHz	50 Ohm	Snap-On
MCX	•	•	•	•	•	•	•	•	•	6 GHz	50 & 75 Ohm	Snap-On
Mini-SMB										2 GHz	75 Ohm	Snap-On
Mini-UHF										2.5 GHz	50 Ohm	Threaded
MMCX	•	•	•	•	•	•	•	•	•	6 GHz	50 Ohm	Snap-On
N Type	•	•	•	•	•	•	•	•	•	11 GHz	50 Ohm	Threaded
PSMP										10 GHz	50 Ohm	Snap-On
QMA	•	•	•	•	•	•	•	•	•	18 GHz	50 Ohm	Push-Pull
QN										11 GHz	50 Ohm	Push-Pull
RF Microswitch	•	•	•	•	•	•	•	•	•	6 GHz	50 Ohm	Snap-On
SMA	•	•	•	•	•	•	•	•	•	26.5 GHz	50 Ohm	Threaded
SMB	•	•	•	•	•	•	•	•	•	4 GHz	50 & 75 Ohm	Snap-On
SMC										10 GHz	50 Ohm	Threaded
SMP										40 GHz	50 Ohm	Snap-On
SMPM										65 GHz	50 Ohm	Snap-On
SMZ										4 GHz	75 Ohm	Snap-On
TNC	•	•	•	•	•	•	•	•	•	11 GHz	50 & 75 Ohm	Threaded
TRIAx										50 GHz	75 Ohm	Threaded/ Bayonet
TWINAX										0.5 GHz	78 & 95 Ohm	Threaded/ Bayonet
UHF										300 MHz	50 Ohm	Threaded
1.0/2.3										10 GHz	50 & 75 Ohm	Push-Pull
2.2/5										20 GHz	50 Ohm	Threaded/ Push-Pull
4.3/10										6 GHz	50 Ohm	Threaded/ Push-Pull
7/16										7.5 GHz	50 Ohm	Threaded
Cable Assemblies	•	•	•	•	•	•	•	•	•	VARIES BY SERIES INTERFACE		
Adapters	•	•	•	•	•	•	•	•	•	VARIES BY SERIES INTERFACE		

APPLICATIONS OVERVIEW

FIELD AND WEATHER MONITORING

Sensors that collect productivity and environmental data are often distributed across farms in wireless networks. Through GPS location tagging, this data can enable variable rate technology: the selection of agricultural inputs based on site-specific yields and conditions, for maximum profitability.



GEOLOCATION

GPS and other global navigation satellite systems utilize receivers to track the position of sensors, drones, tags, and machinery. These allow agricultural data to be tagged to a precise location, enabling yield mapping, variable rate technology, asset tracking, and precision guidance of equipment.

SMART IRRIGATION

Soil sensors provide data that is analyzed to determine the water intake of crops, health of roots, and necessary irrigation changes. Cloud analytics can also enable automated irrigation control.



LIVESTOCK MANAGEMENT

Wearable and internal sensors for livestock provide biometric and production information that enable farmers to optimize animal feeding, breeding, and comfort management. This data can also automate these tasks through integration with robotic equipment.



DRONES

Drones equipped with sensors and other payloads automatically perform crop health and field assessments, yield mapping, planting, spraying, irrigation, and more. Using drones for these tasks saves time and can increase yields.





ROBOTICS

Mobile robots and driverless technology are quickly advancing in their ability to automatically perform soil maintenance, crop health assessment, weeding, fruit picking, harvesting, planting, plowing, and irrigation.

Robots can perform various other functions, including livestock milking and feeding.

SMART GREENHOUSE

Indoor farming is a highly efficient method for growing crops. Sensors, vertical farming, and automated control systems among other technologies can optimize efficiency and yields. Many greenhouses are undergoing a transition to efficient LED lighting and sensor-based systems.



FISHERIES MONITORING

Consumers are demanding greater transparency and traceability in their seafood products. Direct monitoring of fisheries improves both, while increasing supply chain efficiency. Sensors may be mounted to boats, underwater nets, or robots to collect data on animal health and company practices.



PRODUCE MONITORING

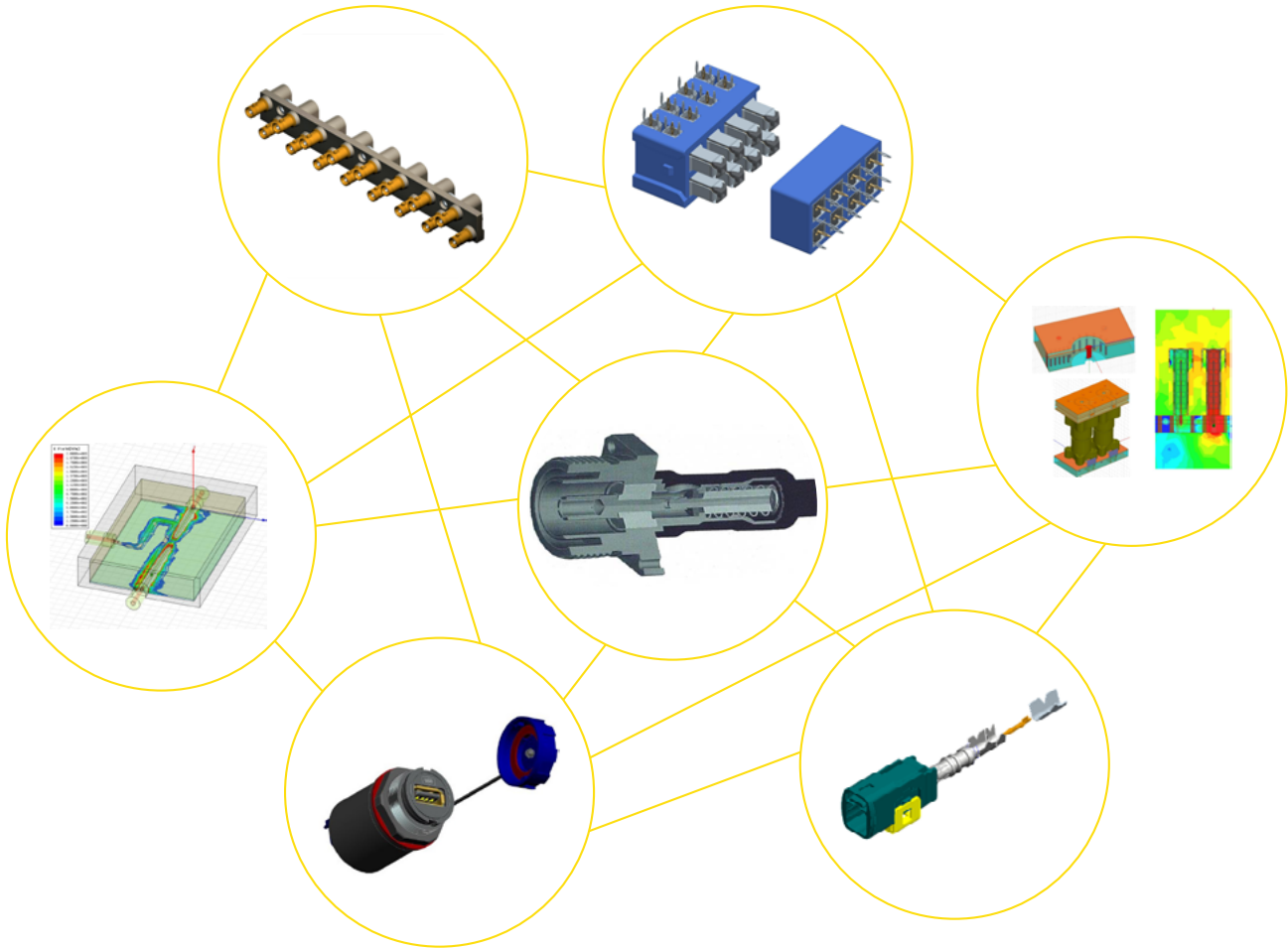
Freshness sensors and asset tracking devices on pallets and vehicles are used to monitor freshness and quality of food during transport, from farm to store. Real-time data may be used to dynamically route products to the ideal destinations.



ENGINEERING CAPABILITIES

As a leader in the design and manufacturing of RF interconnect products, Amphenol RF understands that every application is unique. When standard products don't match your needs, our dedicated team of engineers can develop the ideal solution for any application, in any industry.

With a global presence, Amphenol RF has experienced engineers in North America, Europe and Asia, and production capabilities in China, Mexico and the United States. Our quality team oversees the entire process from initial design through delivery, to ensure your satisfaction.



OUR ENGINEERING SERVICES INCLUDE:

Ganged Connector Solutions

Custom Cable Assemblies

Mixed Signal Applications

Modifications of Existing Designs

Application Specific Optimized Return Loss

PCB Launch Optimization

OUR ENGINEERING TOOLBOX INCLUDES:

Pro/Engineer 3D Mechanical Design

ANSOFT HFSS 3D RF Analysis

ANSYS 3D Mechanical Analysis

Agilent Vector Network Analyzers



PRODUCT REFERENCE GUIDES



AMC PRODUCT SERIES



Overview

Amphenol Micro Coaxial (AMC) connectors are low profile (2.5mm mating height) with an extremely small footprint (3mm x 3mm). Their space-saving design makes these connectors an optimal solution for portable and mobile devices. AMC connectors are fully compatible with the Hirose U.FL series.

Standard AMC Jumper Cables are available and in stock at many of the most common distributors. These jumpers offer an AMC right angle plug to AMC right angle plug on industry standard black 0.81mm, 1.13mm, 1.32mm, and 1.37mm Micro-Coaxial Cable. Custom solutions available upon request.

Features and Benefits

- Supports high frequency transmission from DC to 6GHz
- Ideal for applications where space and weight are a concern
- Easy snap on/off mating
- Surface mount allows for higher PC board densities and automated pcb placement

Applications

- Antennas
- Bluetooth
- GPS
- WLAN
- Cellular and Mobile Devices
- Tablets and Notebook Computers


Amphenol RF

Four Old Newtown Road
Danbury, CT 06810

For more information visit www.amphenorlf.com
or call 800.627.7100

Ordering Information

AMC PCB Connectors

	Part Number	Part Description
	A-1JB	AMC Straight PCB Jack, Surface Mount, 3000 Piece Reel, 50 Ohms

AMC Adapters

Part Number	Part Description
031-6101	MC Plug to TNC RP Jack, Panel Mount, 6GHz, 50 ohm
031-6101-1	AMC Plug to TNC RP Jack, Panel Mount, 3GHz, 50 ohm
031-6109	AMC Plug to BNC RP Jack, Bulkhead, 50 ohm
031-6112	AMC Plug to TNC RP Jack, Bulkhead, 50 ohm
031-6137	AMC Plug to TNC RP Jack, Panel Mount, 50 ohm
031-6208	AMC Plug to TNC Jack, Bulkhead, 50 ohm
901-10097	AMC Plug to SMA RP Jack, Bulkhead, 50 ohm
901-10175	AMC Plug to SMA Jack, Bulkhead, 50 ohm
901-10395	SMA RP Jack to AMC Jack, Bulkhead, 50 ohm

AMC Jumper Assemblies



	A-1PA-	113-	100	B	2
Series:	AMC Jumper				
Cable Type	081* = 0.81mm 113* = 1.13mm 132* = 1.32mm 137* = 1.37mm 178* = RG-178				
Assembly Length in mm (Dim L)					
Cable Color:	B* = Black W = White N* = Natural (RG-178 Only) G = Gray U = Blue R = Red E = Green				
No. of Terminated Ends (1 or 2*)					

* standard configuration options

AMC PRODUCT SERIES

Technical Specifications

Electrical

	AMC PCB Mount Connectors	AMC Jumpers
Impedance	50Ω, nominal	
Frequency Range	DC - 6 GHz	
Contact Resistance	Center Contact: 20 mΩ Max.	
	Outer Contact: 10 mΩ Max.	
Insulation Resistance	500 mΩ Min.	
Operating Voltage	500 VRMS	
DWV	No line or insulation breakdown: 200 VAC for 1 Min	
VSWR	1.3 Max. at DC - 3 GHz, 1.35 Max. at 3 - 6 GHz	1.300 Max. at DC - 3 GHz, 1.400 Max. at 3 - 6 GHz

Mechanical

Durability	30 cycles
Temperature Range	-40° to +90°C
Mating	Demating Force 10N Typical - 20N Max

Materials and Finishes

Connector Body	Phosphor bronze, silver plated (0.76u Min.) over copper (1u Min.)	
Connector Center Contact	Phosphor bronze, gold plated (0.2u min.) over nickel (2-3u)	Phosphor bronze, gold plated (0.076u min.) over nickel (2u Min)
Connector Insulator	PBT	
Cable Jacket	FEP	
Cable Dielectric	FEP	
Cable Center Conductor	Annealed copper wire stranded, silver plated	
Cable Outer Conductor	Annealed copper wire braid, tin plated	

AMMC PRODUCT SERIES



Overview

Amphenol Micro Miniature Coaxial (AMMC) connectors are low profile (1.4 mm mated height) with an extremely small footprint (2 mm x 2 mm). Their space-saving design makes these connectors an optimal solution for portable and mobile devices. AMMC connectors are fully compatible with the Hirose W.FL and IPEX MHF III series.

Standard AMMC Jumper Cables are available and in stock at many of the most common distributors. These jumpers offer an AMMC right angle plug to AMMC right angle plug on industry standard black 0.81mm and 1.13mm Micro-Coaxial Cable. Custom solutions available upon request.

Features and Benefits

- Supports high frequency transmission from DC to 6GHz
- Ideal for applications where space and weight are a concern
- Easy snap on/off mating
- Surface mount allows for higher PC board densities and automated pcb placement

Applications

- Antennas
- Bluetooth
- GPS
- WLAN
- Cellular and Mobile Devices
- Tablets and Notebook Computers


Amphenol RF

Four Old Newtown Road
Danbury, CT 06810



For more information visit www.amphenolrf.com
or call 800.627.7100

Ordering Information

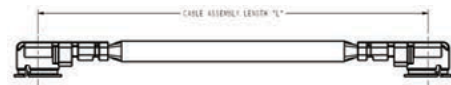
AMMC PCB Connectors

	Part Number	Part Description
	A-2JA	AMMC Straight PCB Jack, Surface Mount, 3000 Piece Reel, 50 Ohms

AMMC Adapters

	Part Number	Part Description
	242290	AMMC Jack to SMA Plug
	242291	AMMC Jack to SMA Jack

AMMC Jumper Assemblies



	A-2PA-	113-	100	B	2
Series:	AMC Jumper				
Cable Type	081* = 0.81mm 113* = 1.13mm				
Assembly Length in mm (Dim L)					
Cable Color:	B* = Black W = White G = Gray U = Blue R = Red E = Green				
No. of Terminated Ends (1 or 2*)					

* standard configuration options

AMMC PRODUCT SERIES

Technical Specifications

Electrical

	AMMC PCB Mount Connectors	AMMC Jumpers
Impedance	50Ω, nominal	
Frequency Range	DC - 6 GHz	
Contact Resistance	Center Contact: 20 mΩ Max.	
	Outer Contact: 10 mΩ Max.	
Insulation Resistance	500 mΩ Min.	
Operating Voltage	500 VRMS	
DWV	No line or insulation breakdown: 200 VAC for 1 Min	
VSWR	1.3 Max. at DC - 3 GHz, 1.35 Max. at 3 - 6 GHz	1.300 Max. at DC - 3 GHz, 1.400 Max. at 3 - 6 GHz

Mechanical

Durability	20 cycles
Temperature Range	-40° to +90°C
Mating	Withdrawl Force 4N Min. (initial) 2N Min. (after cycling)

Materials and Finishes

Connector Body	Phosphor bronze, silver plated (0.76u Min.) over copper (1-2u)	
Connector Center Contact	Phosphor bronze, gold plated (0.2u min.) over nickel (2-3u)	Phosphor bronze, gold plated (0.07u min.) over nickel (1.3-2.5u)
Connector Insulator	PBT	
Cable Jacket	FEP	
Cable Dielectric	FEP	
Cable Center Conductor	Annealed copper wire stranded, silver plated	
Cable Outer Conductor	Annealed copper wire braid, silver plated	

BNC CONNECTOR SERIES



The BNC is a bayonet style connector allowing for quick connect and disconnect with a positive locking mechanism. Mating is achieved with just a quarter turn of the coupling nut. With a classic, dependable design, BNCs are suited to accommodate a large variety of RG and industry standard cables, in a variety of termination styles. Amphenol RF offers a full line of BNCs in both 50 and 75 Ω impedance, which are miniature, lightweight and reliable.

FEATURES & BENEFITS

Bayonet coupling mechanism provides positive, quick mating and un-mating

50 and 75 ohm designs allow customers to match impedance to system requirements

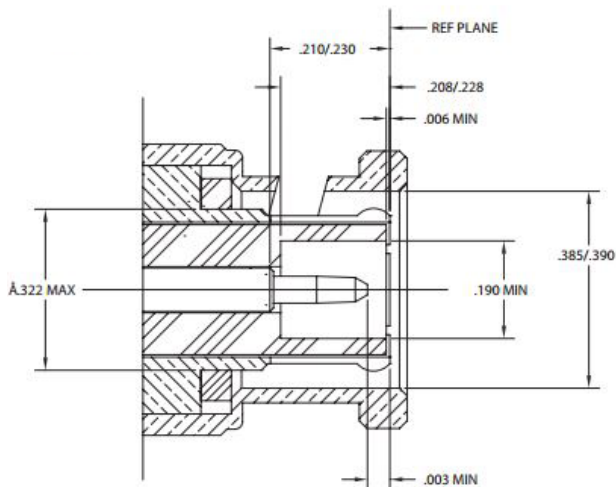
Wide variety of product configurations

For more BNC Connectors, visit:

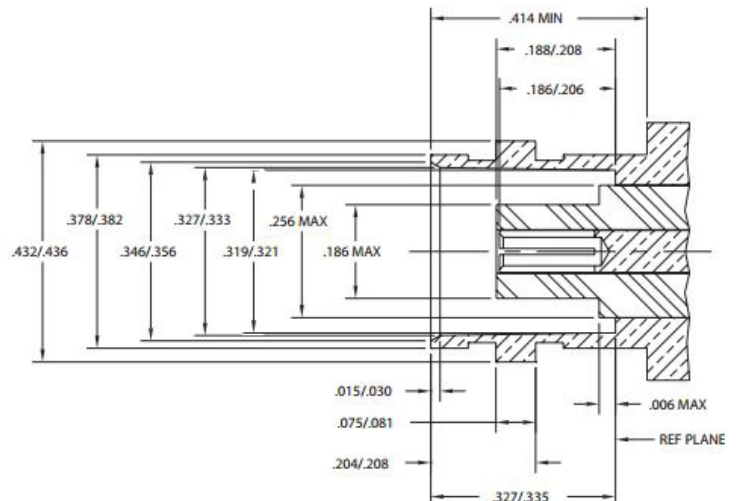
<https://www.amphenolrf.com/connectors/bnc.html>

INTERFACE DIMENSIONS

PLUG



JACK



BNC CONNECTOR SERIES

CABLE MOUNT

STRAIGHT CRIMP PLUGS, 50 OHM



Part Number	Cable Type	Impedance	Plating		Termination	
			Body	Contact	Ferrule	Contact
031-320-RFX	RG-58	50	Nickel	Gold	Crimp	Crimp
031-315-RFX	RG-174, RG-316	50	Nickel	Gold	Crimp	Crimp
112533	LMR-240, RG-8X	50	Nickel	Gold	Crimp	Crimp

[VIEW ALL STRAIGHT CRIMP PLUGS, 50 OHM](#)

STRAIGHT CRIMP PLUGS, 75 OHM



Part Number	Cable Type	Impedance	Plating		Termination	
			Body	Contact	Ferrule	Contact
112123	RG-59	75	Nickel	Gold	Crimp	Crimp
112133	RG-179	75	Nickel	Gold	Crimp	Crimp
112955	Belden 1855A	75	Nickel	Gold	Crimp	Crimp

[VIEW ALL STRAIGHT CRIMP PLUGS, 75 OHM](#)

STRAIGHT CRIMP JACKS, 50 OHM



Part Number	Cable Type	Impedance	Plating		Termination	
			Body	Contact	Ferrule	Contact
112160	RG-174, RG-316	50	Nickel	Gold	Crimp	Crimp
112144	RG-58	50	Nickel	Gold	Crimp	Crimp
112513	RG-55, RG-142	50	Nickel	Gold	Crimp	Crimp

[VIEW ALL STRAIGHT CRIMP JACKS, 50 OHM](#)

STRAIGHT CRIMP JACKS, 75 OHM



Part Number	Cable Type	Impedance	Plating		Termination	
			Body	Contact	Ferrule	Contact
112147	RG-59	75	Nickel	Gold	Crimp	Crimp
112161	RG-179	75	Nickel	Gold	Crimp	Crimp
112989	Belden 1855A	75	Nickel	Gold	Crimp	Crimp

[VIEW ALL STRAIGHT CRIMP JACKS, 75 OHM](#)

STRAIGHT CRIMP JACKS, BULKHEAD MOUNT



Part Number	Cable Type	Impedance	Plating		Termination	
			Body	Contact	Ferrule	Contact
112252	RG-174, RG-316	50	Nickel	Gold	Crimp	Crimp
112522	RG-178, RG-196	50	Nickel	Gold	Crimp	Solder
112253	RG-179	75	Nickel	Gold	Crimp	Crimp

[VIEW ALL STRAIGHT CRIMP JACKS, BULKHEAD MOUNT](#)

RIGHT ANGLE CRIMP PLUGS



Part Number	Cable Type	Impedance	Plating		Termination	
			Body	Contact	Ferrule	Contact
112526	RG-55, RG-142	50	Nickel	Gold	Crimp	Crimp
031-335-RFX	RG-58	50	Nickel	Gold	Crimp	Solder
112179	RG-179	75	Nickel	Gold	Crimp	Crimp

[VIEW ALL RIGHT ANGLE CRIMP PLUGS](#)

BNC CONNECTOR SERIES

STRAIGHT CLAMP PLUGS



Part Number	Cable Type	Impedance	Plating		Termination	
			Body	Contact	Ferrule	Contact
031-202	RG-58	50	Nickel	Silver	Clamp	Solder
031-212-RFX	RG-59	50	Nickel	Gold	Clamp	Solder
000-69475	RG-174, RG-316	50	Nickel	Silver	Clamp	Solder
112335	RG-59	75	Nickel	Gold	Clamp	Solder

[VIEW ALL STRAIGHT CLAMP PLUGS](#)

STRAIGHT CLAMP JACKS, 50 OHM



Part Number	Cable Type	Impedance	Plating		Termination		Special Feature
			Body	Contact	Ferrule	Contact	
031-15	RG-59	50	Nickel	Silver	Clamp	Solder	
031-206	RG-58	50	Nickel	Silver	Clamp	Solder	Bulkhead Mount

[VIEW ALL STRAIGHT CLAMP JACKS, 50 OHM](#)

STRAIGHT PANEL MOUNT JACKS



Part Number	Mounting	Impedance	Plating		Termination		Special Feature
			Body	Contact	Ferrule	Contact	
031-221	Solder Cup	50	Nickel	Gold	N/A	Solder	Bulkhead
031-221-75RFX	Solder Cup	75	Nickel	Gold	N/A	Solder	Bulkhead
031-203-RFX	Solder Cup	50	Nickel	Gold	N/A	Solder	4-Hole Flange
112288-11	RG-174, RG-316	50	Nickel	Gold	Crimp	Crimp	4-Hole Flange
112275	RG-59	75	Gold	Gold	Crimp	Crimp	4-Hole Flange

[VIEW ALL BULKHEAD](#) [VIEW ALL 4-HOLE FLANGE](#)

PCB MOUNT

STRAIGHT PCB JACKS



Part Number	Mounting	Impedance	Plating		Special Feature
			Body	Contact	
112515	Through-Hole	50	Nickel	Gold	
031-5539	Through-Hole	50	Nickel	Gold	Bulkhead
112405	Through-Hole	75	Nickel	Gold	

[VIEW ALL STRAIGHT PCB JACKS](#)

RIGHT ANGLE PCB JACKS



Part Number	Mounting	Impedance	Plating		Special Feature
			Body	Contact	
031-71042	Through-Hole	75	Nickel	Gold	Bulkhead Mount
031-5341-10RFX	Through-Hole	50	Gold	Gold	Bulkhead Mount

[VIEW ALL STRAIGHT PCB JACKS](#)

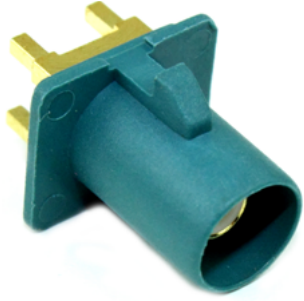
EDGE MOUNT PCB JACKS



Part Number	Mounting	Impedance	Plating		Special Feature
			Body	Contact	
112740-13	Edge	75	Nickel	Gold	Bulkhead Mount
112608	Edge	50	Nickel	Gold	

[VIEW ALL EDGE MOUNT PCB JACKS](#)

FAKRA CONNECTOR SERIES



FEATURES & BENEFITS

IP67 rated to prevent dust and water ingress (dependent on model)

Ideal for environments requiring high data transfer rates with minimal latency

Color coded and mechanically keyed housings to prevent mis-mating

Rugged, impact resistant body and housing

Supports frequency range of DC to 6 GHz (dependent on model)

Lightweight

Low cost

Quick easy installation

Amphenol RF's series of FAKRA connectors offer excellent VSWR performance in straight, right angle, and low profile configurations. These connectors utilize a modified SMB connector embedded within a plastic housing, which is designed with a mechanical key feature and multiple color codes for easy identification to prevent mis-mating.

To ensure high levels of electrical and mechanical performance for telematics applications, the worldwide automotive industries have standardized a high-performing, cost-effective RF connector based on the FAKRA and USCAR standards. Amphenol RF's FAKRA connector series meets the requirements of the automotive industry (USCAR-17) and includes IP67 rated sealed and 6 GHz versions.

With advancements in telematics and automotive communications technology, RF communication systems have become integral components in today's automotive, trucking, watercraft, motorcycle and off-road construction markets. Wireless sensors and connectivity powered by the latest advances in RF technology are used to communicate with other vehicles, devices and networks, and FAKRA connectors will be an integral part of this movement which includes autonomous, self-driving vehicles.

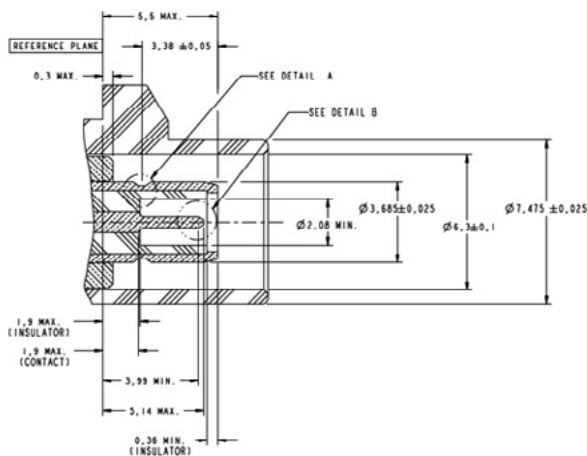
The emergence of smart technology has also brought with it an unprecedented number of non-automotive applications that utilize FAKRA products. These applications, such as smart lighting, represent a substantial source of savings for consumers with their ability to reduce energy costs.

[Click here for Automotive Solutions Guide](#)

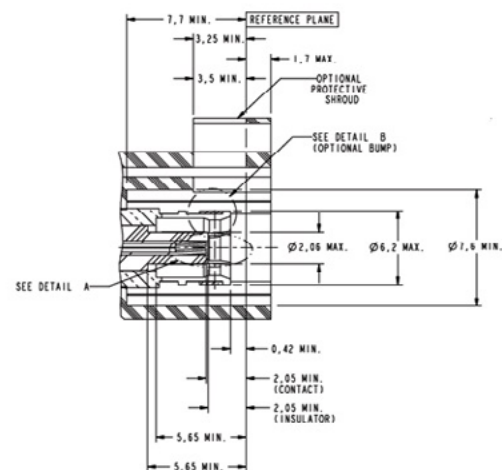
[Click here to view all FAKRA products](#)

INTERFACE DIMENSIONS

PLUG



JACK



MCX CONNECTOR SERIES



The MCX (Micro Coaxial) series is a 50 Ω & 75 Ω series with broadband capability ranging from DC to 6 GHz. The MCX series features secure, fast and easy snap-on/snap-off coupling. MCX connectors were introduced in the 1980s and conform to the European CECC 22220 spec. This series is the ideal solution for designs where weight and physical space are limited.

FEATURES & BENEFITS

Broadband performance with low reflection DC to 6 GHz

Quick connect/disconnect snap-on mating

Accommodates a wide range of miniature RG flexible coaxial and semi-rigid cable

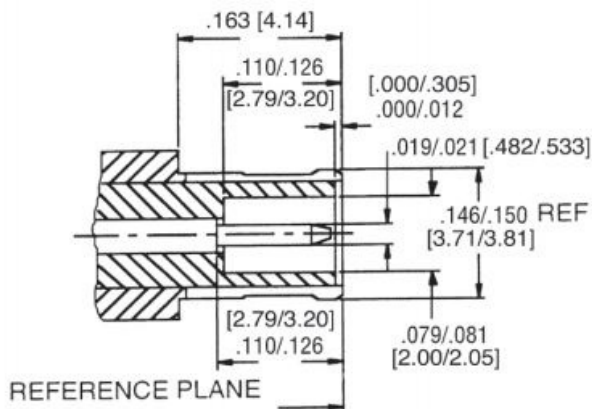
50 Ω & 75 Ω solutions available

For more MCX Connectors, visit:

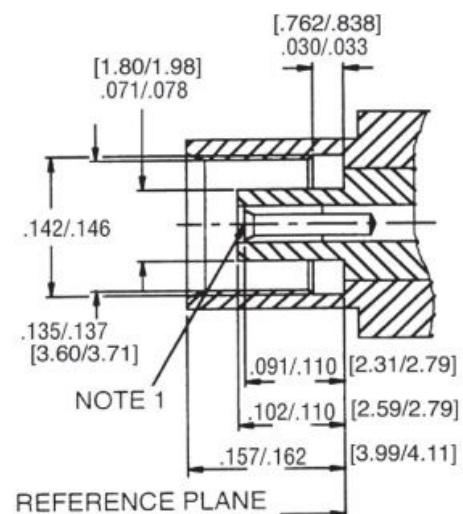
<https://www.amphenorlf.com/connectors/mcx.html>

INTERFACE DIMENSIONS

PLUG



JACK



MCX CONNECTOR SERIES

CABLE MOUNT

BULKHEAD JACKS



Part Number	Cable Type	Impedance	Plating		Termination	
			Body	Contact	Ferrule	Contact
252145	RG-174, RG-316	50	Gold	Gold	Crimp	Crimp
252163	RG-405 (0.086 Semi-Rigid)	50	Gold	Gold	Solder	Solder

[VIEW ALL BULKHEAD JACKS](#)

RIGHT ANGLE PLUGS



Part Number	Cable Type	Impedance	Plating		Termination	
			Body	Contact	Ferrule	Contact
919-387P-51A	RG-178, RG-196	50	Gold	Gold	Crimp	Crimp
919-389P-51A	RG-174, RG-316	50	Nickel	Gold	Crimp	Crimp
252102-75	RG-179, RG-187	75	Gold	Gold	Crimp	Solder
252109	RG-405 (0.086 Semi-Rigid)	50	Gold	Gold	Solder	Solder

[VIEW ALL RIGHT ANGLE PLUGS](#)

STRAIGHT JACKS



Part Number	Cable Type	Impedance	Plating		Termination	
			Body	Contact	Ferrule	Contact
919-131J-51SX	RG-178, RG-196	50	Gold	Gold	Crimp	Crimp
919-107J-51SX	RG-174, RG-316	50	Nickel	Gold	Crimp	Crimp
252147-75	RG-179, RG-187	75	Gold	Gold	Crimp	Solder
252131	RG-405 (0.086 Semi-Rigid)	50	Gold	Gold	Solder	Solder

[VIEW ALL STRAIGHT JACKS](#)

STRAIGHT PLUGS



Part Number	Cable Type	Impedance	Plating		Termination	
			Body	Contact	Ferrule	Contact
919-388P-51S	RG-178, RG-196	50	Gold	Gold	Crimp	Crimp
919-386P-51S	RG-174, RG-316	50	Nickel	Gold	Crimp	Crimp
252180	RG-58	50	Gold	Gold	Crimp	Crimp
919-137P-71SX	RG-179, RG-187	75	Gold	Gold	Crimp	Solder

[VIEW ALL STRAIGHT PLUGS](#)

PCB MOUNT

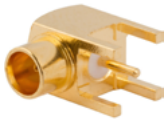
STRAIGHT PCB JACKS



Part Number	Mounting	Impedance	Plating	
			Body	Contact
919-382J-51P	Through-Hole	50	Gold	Gold
919-124J-71P	Through-Hole	75	Gold	Gold
919-384J-51P	Surface Mount	50	Gold	Gold

[VIEW ALL STRAIGHT PCB JACKS](#)

RIGHT ANGLE PCB JACKS



Part Number	Mounting	Impedance	Plating	
			Body	Contact
919-383J-51A	Through-Hole	50	Gold	Gold
252129-75	Through-Hole	75	Gold	Gold

[VIEW ALL RIGHT ANGLE PCB JACKS](#)

EDGE MOUNT PCB JACKS



Part Number	Mounting	Impedance	Plating	
			Body	Contact
919-385J-51S	Edge Mount	50	Gold	Gold
252151	Edge Mount	50	Gold	Gold
252121-75	Edge Mount	75	Gold	Gold

[VIEW ALL EDGE MOUNT PCB JACKS](#)

MMCX CONNECTOR SERIES



The MMCX (Micro-Miniature Coaxial) connector series is a micro-miniature version of the MCX. It has all the same features of the MCX series, including 50 Ω impedance with a broadband capability of DC to 6 GHz, secure, fast and easy snap-on/snap-off coupling and a wide range of available connectors. However, MMCX connectors have a smaller footprint than the MCX series.

Like the MCX, the MMCX series conforms to the European CECC 22000 specification.

A full range of MMCX connectors are available, including surface mount, edge card, and cable connectors.

FEATURES & BENEFITS

Broadband performance with low reflection DC to 6 GHz, providing a high-quality solution at a low cost

Quick connect/disconnect snap-on mating reduces installation time

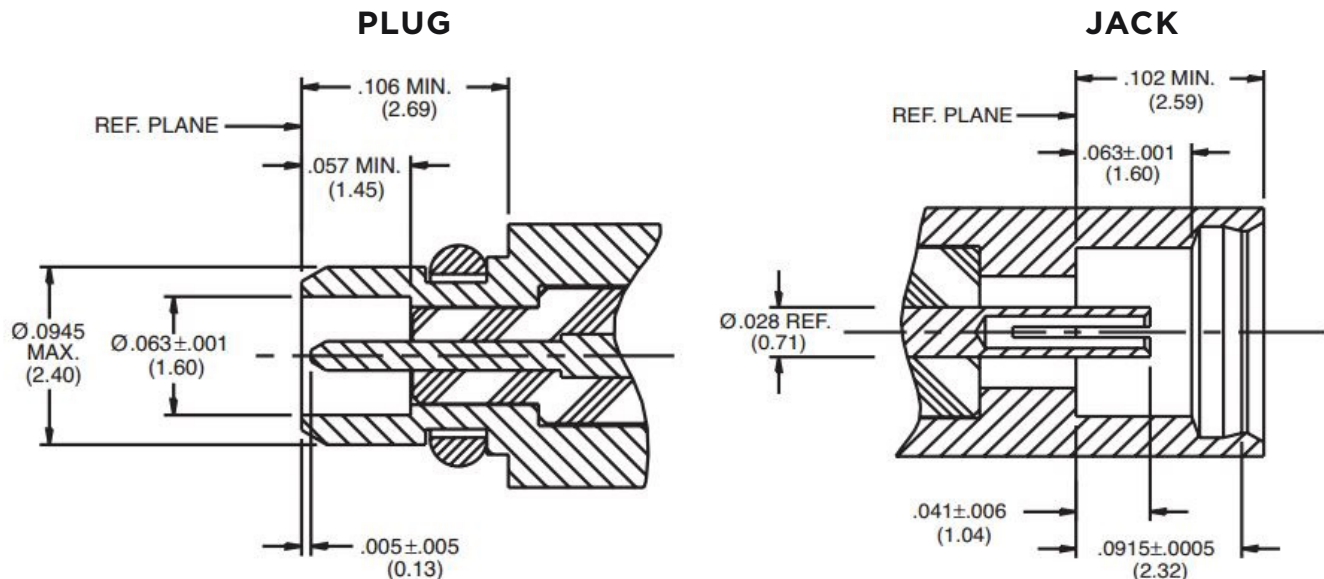
Conforms to European CECC 22000 specifications

Available in straight and right angle plugs and printed circuit board connectors

For more MMCX Connectors, visit:

<https://www.amphenolrf.com/connectors/mmcx.html>

INTERFACE DIMENSIONS



MMCX CONNECTOR SERIES

CABLE MOUNT

STRAIGHT PLUGS



Part Number	Cable Type	Impedance	Plating		Termination	
			Body	Contact	Ferrule	Contact
262100	RG-178, RG-196	50	Gold	Gold	Crimp	Solder
262101	RG-174, RG-316	50	Nickel	Gold	Crimp	Solder
908-41600	0.047" Semi-Rigid	50	Gold	Gold	Solder	Solder

[VIEW ALL STRAIGHT PLUGS](#)

RIGHT ANGLE PLUGS



Part Number	Cable Type	Impedance	Plating		Termination	
			Body	Contact	Ferrule	Contact
262102	RG-178, RG-196	50	Gold	Gold	Crimp	Solder
262103	RG-174, RG-316	50	Gold	Gold	Crimp	Solder
262111	RG-316DB	50	Gold	Gold	Crimp	Solder
908-43600	0.047" Semi-Rigid	50	Gold	Gold	Solder	Solder

[VIEW ALL RIGHT ANGLE PLUGS](#)

BULKHEAD JACKS



Part Number	Cable Type	Impedance	Plating		Termination	
			Body	Contact	Ferrule	Contact
262120	RG-178, RG-196	50	Gold	Gold	Crimp	Solder
262121	RG-174, RG-316	50	Gold	Gold	Crimp	Solder

[VIEW ALL BULKHEAD JACKS](#)

STRAIGHT JACKS



Part Number	Cable Type	Impedance	Plating		Termination	
			Body	Contact	Ferrule	Contact
262117	RG-178, RG-196	50	Gold	Gold	Crimp	Solder
262118	RG-174, RG-316	50	Nickel	Gold	Crimp	Solder
262119	RG-316DB	50	Gold	Gold	Crimp	Solder

[VIEW ALL STRAIGHT JACKS](#)

PCB MOUNT

STRAIGHT PCB JACKS



Part Number	Mounting	Impedance	Plating	
			Body	Contact
908-22101	Surface Mount	50	Gold	Gold
262104	Through-Hole	50	Gold	Gold

[VIEW ALL STRAIGHT PCB JACKS](#)

RIGHT ANGLE PCB JACKS



Part Number	Mounting	Impedance	Plating	
			Body	Contact
262105	Through-Hole	50	Gold	Gold

[VIEW ALL RIGHT ANGLE JACKS](#)

EDGE MOUNT PCB JACKS



Part Number	Mounting	Impedance	Plating	
			Body	Contact
262107	PCB Cutout	50	Gold	Gold

[VIEW ALL EDGE MOUNT PCB JACKS](#)

N TYPE CONNECTOR SERIES



N-Type connectors are designed to satisfy the need for a durable, weatherproof, medium-size RF connector with consistent performance through 18 GHz. Our N-Type connectors feature threaded coupling mechanisms and are fully interchangeable with N-Type connectors made to the MIL-C-39012 specification. These connectors are used in systems where excellent RF and mechanical performance is critical.

FEATURES & BENEFITS

Broad line of military, industrial and commercial grade products available

Excellent RF performance from DC to 18 GHz

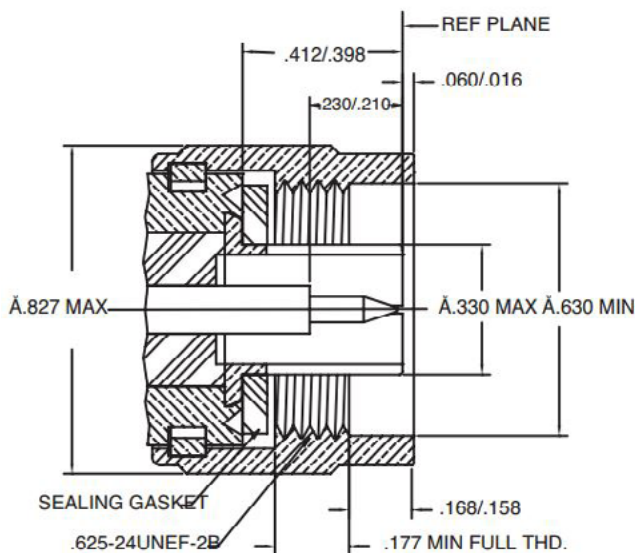
Threaded coupling mechanism ideal for vibration resistance

For more N-Type Connectors, visit:

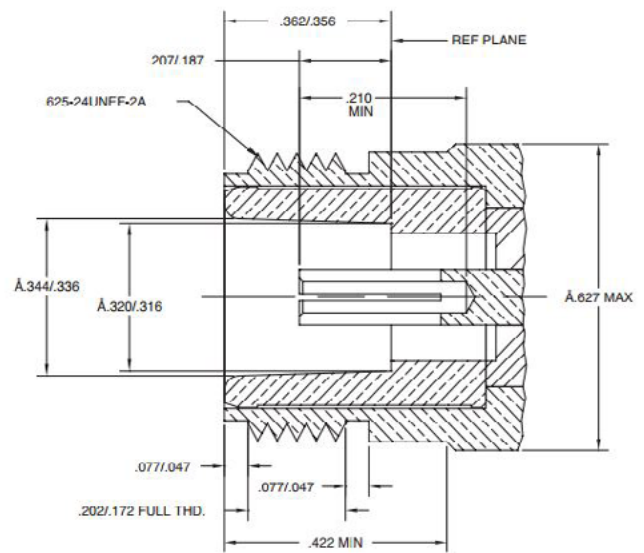
<https://www.amphenorlf.com/connectors/n-type.html>

INTERFACE DIMENSIONS

PLUG



JACK



N TYPE CONNECTOR SERIES

CABLE MOUNT

STRAIGHT PLUGS



Part Number	Cable Type	Plating		Termination		Special Feature
		Body	Contact	Ferrule	Contact	
172135RP	RG-8X, LMR-240	White Bronze	Gold	Crimp	Crimp	Reverse Polarity
172102	RG-8, RG-213, RG-393	White Bronze	Gold	Crimp	Crimp	
172113	RG-8, RG-213, RG-393	White Bronze	Gold	Clamp	Crimp	
172100RP	RG-58, LMR-195	Nickel	Gold	Crimp	Crimp	Reverse Polarity
172142	RG-55, RG-142, RG-223	White Bronze	Gold	Crimp	Crimp	
172171	RG-316 DB	White Bronze	Gold	Crimp	Solder	
172166	RG-214	White Bronze	Gold	Crimp	Crimp	
172128	RG-174, RG-316, LMR-100	White Bronze	Gold	Crimp	Crimp	
172214	Belden 7807A, LMR-200	White Bronze	Gold	Crimp	Crimp	
172206	LMR-600	White Bronze	Gold	Crimp	Solder	
082-6553	LMR-400	Nickel	Gold	Crimp	Solder	IP67
172102H243	LMR-400	White Bronze	Gold	Crimp	Crimp	
172135	LMR-240, RG8-X	White Bronze	Gold	Crimp	Crimp	
172100	LMR-195, RG-58	White Bronze	Gold	Crimp	Crimp	
082-340-1052	Belden 9913, 9914	Nickel	Silver	Crimp	Crimp	
172133	0.141 Semi-Rigid, RG-402	White Bronze	Gold	Solder	Crimp	
172211	0.085 Semi-Rigid	White Bronze	Gold	Solder	Crimp	

[VIEW ALL STRAIGHT PLUGS](#)

RIGHT ANGLE PLUGS



Part Number	Cable Type	Plating		Termination		Special Feature
		Body	Contact	Ferrule	Contact	
082-4440	RG-9, RG-214, RG-225, RG-393	Silver	Gold	Crimp	Crimp	Military Qualified
172219	RG-8X, LRM-240	White Bronze	Gold	Crimp	Solder	
172176	RG-8	White Bronze	Gold	Crimp	Solder	
172178	RG-55, RG-142, RG-223	White Bronze	Gold	Crimp	Solder	
172245	RG-316 DB	White Bronze	Gold	Crimp	Solder	
172180	RG-174, RG-316, LMR-100	White Bronze	Gold	Crimp	Solder	
172263	LMR-600	White Bronze	Gold	Crimp	Crimp	
082-6489	LMR-400, Belden 9913, 9914	Nickel	Gold	Crimp	Solder	IP67, ARC
172385	LMR-240	White Bronze	Gold	Crimp	Solder	
172215	Belden 7807A, LMR-200	Nickel	Gold	Crimp	Solder	
172177	LMR-195, RG-58	White Bronze	Gold	Crimp	Solder	

[VIEW ALL RIGHT ANGLE PLUGS](#)

PANEL MOUNT, 4-HOLE FLANGE PLUGS



Part Number	Cable Type	Plating		Termination		Special Feature
		Body	Contact		Contact	
172118	N/A	White Bronze	Gold	Solder Cup	Solder	
172260	N/A	White Bronze	Gold	Round Post	Solder	
082-6100-RFX	N/A	Nickel	Gold	Slotted Post	Solder	

[VIEW ALL PANEL MOUNT, 4-HOLE FLANGE PLUGS](#)

N TYPE CONNECTOR SERIES

STRAIGHT JACKS



Part Number	Cable Type	Plating		Termination		Special Feature
		Body	Contact	Ferrule	Contact	
172148	RG-8X, LMR-240	White Bronze	Gold	Crimp	Crimp	
082-63	RG-8, RG-9, RG-165, RG-213	Nickel	Silver	Clamp	Solder	
172105	RG-8, RG-213, RG-393	Nickel	Gold	Crimp	Crimp	
082-6092-RFX	RG-59, RG-62	Nickel	Gold	Crimp	Crimp	
172103	RG-58, RG-141	White Bronze	Gold	Crimp	Crimp	
172103RP	RG-58, LMR-195	White Bronze	Gold	Crimp	Crimp	Reverse Polarity
172147	RG-55, RG-142, RG-223	White Bronze	Gold	Crimp	Crimp	
172209	RG-214	White Bronze	Gold	Crimp	Crimp	
172204	RG-174, RG-316	White Bronze	Gold	Crimp	Solder	
172207	LMR-600	White Bronze	Gold	Crimp	Solder	
172203	LMR-400, Belden 9913, 9914	White Bronze	Gold	Crimp	Crimp	
082-6517	LMR-400	Nickel	Gold	Crimp	Solder	IP67, ARC
172216	LMR-200	White Bronze	Gold	Crimp	Crimp	

[VIEW ALL STRAIGHT JACKS](#)

BULKHEAD JACKS



Part Number	Cable Type	Plating		Termination		Special Feature
		Body	Contact	Ferrule	Contact	
172149	RG-8X, LMR-240	White Bronze	Gold	Crimp	Crimp	
082-346-RFX	RG-8, RG-213	Nickel	Gold	Crimp	Crimp	
172106	RG-58, LMR-195	White Bronze	Gold	Crimp	Crimp	
172132	RG-55, RG-142, RG-223	White Bronze	Gold	Crimp	Crimp	
172165	RG-316 DB	White Bronze	Gold	Crimp	Crimp	
172313	RG-178, RG-196	White Bronze	Gold	Crimp	Crimp	
172129	RG-174, RG-316, LMR-100	White Bronze	Gold	Crimp	Solder	
172220	LMR-400	White Bronze	Gold	Crimp	Crimp	
172217	LMR-200	White Bronze	Gold	Crimp	Crimp	
172137	0.141 Semi-Rigid, RG-402	White Bronze	Gold	Solder	Crimp	
172138	0.085 Semi-Rigid	White Bronze	Gold	Solder	Solder	

[VIEW ALL BULKHEAD JACKS](#)

PANEL MOUNT, 4-HOLE FLANGE JACKS



Part Number	Cable Type	Plating		Termination		Special Feature
		Body	Contact	Ferrule	Contact	
172117	N/A	White Bronze	Gold	Round Post	Solder	
082-97-RFX	N/A	Nickel	Gold	Solder Cup	Solder	

[VIEW ALL PANEL MOUNT, 4-HOLE FLANGE JACKS](#)

PCB MOUNT

THROUGH-HOLE PCB JACKS, BULKHEAD



Part Number	Mounting	Plating		Termination		Special Feature
		Body	Contact	Ferrule	Contact	
172243	Bulkhead	Nickel	Gold	Through-Hole	Solder	

[VIEW ALL THROUGH-HOLE PCB JACKS, BULKHEAD](#)

SMA CONNECTOR SERIES



Using a threaded interface, SMA 50 Ω ohm connectors are semi-precision units that provide excellent electrical performance from DC to 26.5 GHz and outstanding mechanical durability. SMA connectors feature stainless steel or brass construction and $\frac{1}{4}$ - 36 threaded coupling, which offers high performance in a compact design. For phase array radar, test equipment, ILS landing systems and other instrumentation using phase matching techniques, SMA interconnects offer a precise and simple means of phase adjustment for microwave devices. Built in accordance with MIL-C-39012 and CECC 2110/111, SMA connectors can be mated with all connectors that meet these specification mating diameters regardless of manufacturer.

FEATURES & BENEFITS

Lightweight, compact and vibration proof design

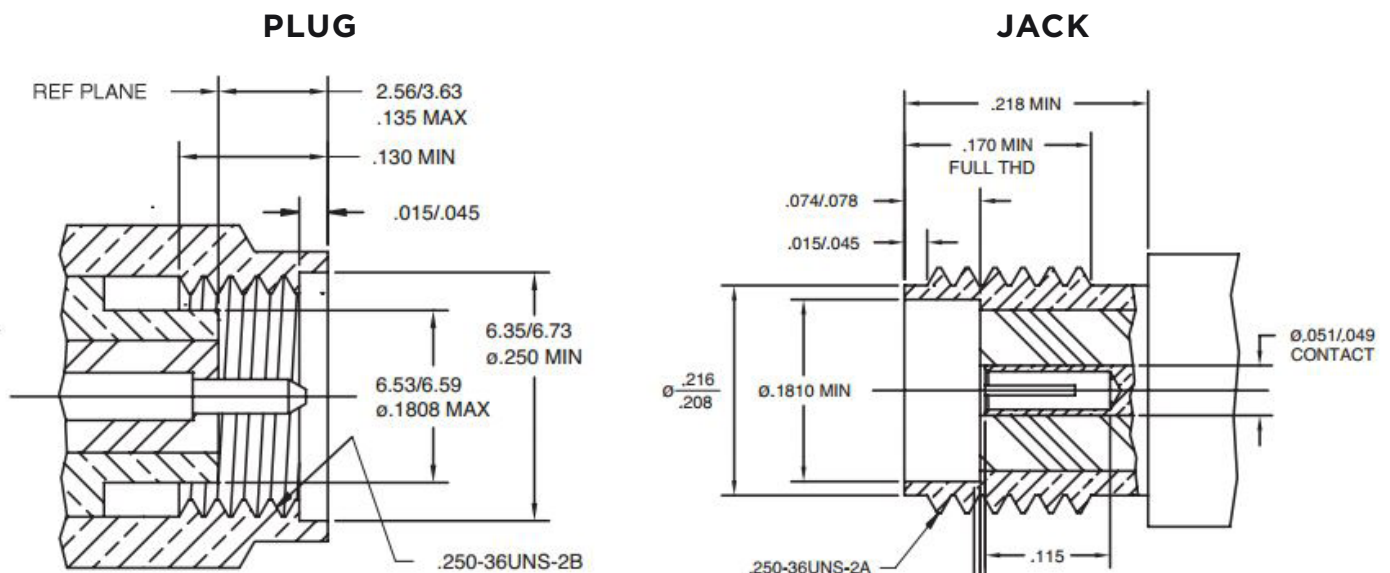
Low cost commercial grade (brass SMA) available in nickel or gold plating

Terminates to all standard flexible coaxial cables, low-loss (LMR) type cables and industry standard semi-rigid and conformable cables

For more SMA Connectors, visit:

<https://www.amphenorlf.com/connectors/sma.html>

INTERFACE DIMENSIONS



SMA CONNECTOR SERIES

CABLE MOUNT

STRAIGHT PLUGS



Part Number	Cable Type	Plating		Termination		Special Feature
		Body	Contact	Ferrule	Contact	
132231	RG-8X, LMR-240	Gold	Gold	Crimp	Solder	
132113	RG-58, LMR-195	Gold	Gold	Crimp	Solder	
132113RP	RG-58, LMR-195	Gold	Gold	Crimp	Solder	Reverse Polarity
132195	RG-55, RG-142, RG-223	Gold	Gold	Crimp	Solder	
132178	RG-316 DB	Gold	Gold	Crimp	Solder	
901-9511-12SF	RG-316 DB	Passivated	Gold	Crimp	Crimp	Stainless Steel
132193	RG-178, RG-196	Gold	Gold	Crimp	Solder	
132114RP	RG-174, RG-316, LMR-100	Gold	Gold	Crimp	Solder	Reverse Polarity
132114	RG-174, RG-316, LMR100	Gold	Gold	Crimp	Solder	
132234	LMR-200	Gold	Gold	Crimp	Solder	
132102	0.141 Semi-Rigid	Gold	Gold	Solder	Solder	
132298	LMR-400, Belden 9913, 9914	Gold	Gold	Crimp	Solder	
901-9808	0.141 Semi-Rigid	Passivated	Gold	Solder	Solder	Stainless Steel
132101	0.085 Semi Rigid	Gold	Gold	Solder	Solder	
132249	0.047 Semi-Rigid	Gold	Gold	Solder	Solder	

[VIEW ALL STRAIGHT PLUGS](#)

RIGHT ANGLE PLUGS



Part Number	Cable Type	Plating		Termination		Special Feature
		Body	Contact	Ferrule	Contact	
132239	RG-8X, LMR-240	Gold	Gold	Crimp	Solder	
132122	RG-58, LMR-195	Gold	Gold	Crimp	Solder	
132194	RG-55, RG-142, RG-223	Gold	Gold	Crimp	Solder	
132182	RG-316 DB	Gold	Gold	Crimp	Solder	
132173	RG-178, RG-196	Gold	Gold	Crimp	Solder	
132123	RG-174, RG-316, LMR-100	Gold	Gold	Crimp	Solder	
132112	0.141 Semi-Rigid	Gold	Gold	Solder	Solder	
132111	0.085 Semi-Rigid	Gold	Gold	Solder	Solder	

[VIEW ALL RIGHT ANGLE PLUGS](#)

STRAIGHT JACKS



Part Number	Cable Type	Plating		Termination		Special Feature
		Body	Contact	Ferrule	Contact	
132240	RG-8X, LMR-240	Gold	Gold	Crimp	Solder	
132116	RG-58, LMR-195, Belden 9907, Belden B7806A	Gold	Gold	Crimp	Solder	
132197	RG-55, RG-142, RG-223	Gold	Gold	Crimp	Solder	
132198	RG-316 DB	Gold	Gold	Crimp	Solder	
132279	RG-178, RG-196	Gold	Gold	Crimp	Solder	
132117	RG-174, RG-316, LMR-100	Gold	Gold	Crimp	Solder	
132117RP	RG-174, RG-316, LMR-100	Gold	Gold	Crimp	Solder	Reverse Polarity
132332	LMR-400	Gold	Gold	Crimp	Solder	
132236	LMR-200	Gold	Gold	Crimp	Solder	
132104	0.141 Semi-Rigid	Gold	Gold	Solder	Solder	
132103	0.085 Semi -Rigid	Gold	Gold	Solder	Solder	
132257	0.047 Semi-Rigid	Gold	Gold	Solder	Solder	

[VIEW ALL STRAIGHT JACKS](#)

SMA CONNECTOR SERIES

BULKHEAD JACKS



Part Number	Mounting	Plating		Termination		Special Feature
		Body	Contact		Contact	
132241	RG-8X, LMR-240	Gold	Gold	Crimp	Solder	
132118	RG-58, LMR-195,	Gold	Gold	Crimp	Solder	
132191	RG-55, RG-142, RG-223	Gold	Gold	Crimp	Solder	
132176	RG-316 DB	Gold	Gold	Crimp	Solder	
901-9610-3	RG-316	Gold	Gold	Crimp	Crimp	Stainless Steel
132286	RG-178, RG-196	Gold	Gold	Crimp	Solder	
132119	RG-174, RG-316, LMR-100	Gold	Gold	Crimp	Solder	
132119RP	RG-174, RG-316, LMR-100	Gold	Gold	Crimp	Solder	Reverse Polarity
132106	0.141 Semi-Rigid	Gold	Gold	Solder	Solder	
132105	0.085 Semi-Rigid	Gold	Gold	Solder	Solder	
132251	0.047 Semi-Rigid	Gold	Gold	Solder	Solder	

[VIEW ALL BULKHEAD JACKS](#)

PANEL MOUNT, 4-HOLE FLANGE JACKS



Part Number	Mounting	Plating		Termination		Special Feature
		Body	Contact		Contact	
132146	4-Hole Flange	Gold	Gold	Round Post	Solder	
132142	4-Hole Flange	Gold	Gold	Solder Cup	Solder	
132166	4-Hole Flange	Gold	Gold	Flat Tab	Solder	

[VIEW ALL PANEL MOUNT, 4-HOLE FLANGE JACKS](#)

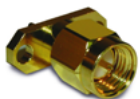
PANEL MOUNT, 4-HOLE FLANGE PLUGS



Part Number	Mounting	Plating		Termination		Special Feature
		Body	Contact		Contact	
132144	4-Hole Flange	Gold	Gold	Round Post	Solder	

[VIEW ALL PANEL MOUNT, 4-HOLE FLANGE PLUGS](#)

PANEL MOUNT, 2-HOLE FLANGE PLUGS



Part Number	Mounting	Plating		Termination		Special Feature
		Body	Contact		Contact	
132141	2-Hole Flange	Gold	Gold	Solder Cup	Solder	
132145	2-Hole Flange	Gold	Gold	Round Post	Solder	

[VIEW ALL 2-HOLE FLANGE PLUGS](#)

PANEL MOUNT, 2-HOLE FLANGE JACKS



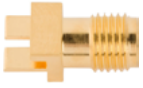
Part Number	Mounting	Plating		Termination		Special Feature
		Body	Contact		Contact	
132147	2-Hole Flange	Gold	Gold	Round Post	Solder	
901-9893-RFX	2-Hole Flange	Nickel	Gold	Solder Cup	Solder	

[VIEW ALL PANEL MOUNT, 2-HOLE FLANGE JACKS](#)

SMA CONNECTOR SERIES

PCB MOUNT

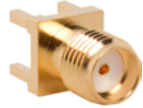
END LAUNCH PCB JACKS



Part Number	Mounting	Plating		Special Feature
		Body	Contact	
901-10511-1	End Launch	Gold	Gold	High Frequency 26.5 GHz

[VIEW ALL END LAUNCH PCB JACKS](#)

STRAIGHT THROUGH HOLE JACKS



Part Number	Mounting	Plating		Special Feature
		Body	Contact	
901-144-8RFX	Through-Hole	Gold	Gold	
132134RP	Through-Hole	Gold	Gold	Reverse Polarity

[VIEW ALL STRAIGHT THROUGH HOLE JACKS](#)

RIGHT ANGLE THROUGH HOLE PCB JACKS



Part Number	Mounting	Plating		Special Feature
		Body	Contact	
901-143-6RFX	Through Hole	Gold	Gold	
132203	Through Hole	Gold	Gold	Bulkhead

[VIEW ALL RIGHT ANGLE THROUGH HOLE PCB JACKS](#)

THROUGH-HOLE PCB PLUGS



Part Number	Mounting	Plating		Special Feature
		Body	Contact	
901-9895-RFX	Through-Hole	Gold	Gold	
132135	Through-Hole	Gold	Gold	Right Angle

[VIEW ALL THROUGH-HOLE PCB PLUGS](#)

END LAUNCH PCB PLUGS



Part Number	Mounting	Plating		Special Feature
		Body	Contact	
901-10588	End Launch	Gold	Gold	High-Frequency 26.5 GHz

[VIEW ALL END LAUNCH PCB PLUGS](#)

SMB CONNECTOR SERIES



The SMB interface features a snap-on coupling mechanism and is available in 50 Ω and 75 Ω configurations. SMB connectors conform to the requirements of MIL-C-39012 and the interface is in compliance with MIL-STD-348. SMB connectors offer broadband performance with low reflection DC to 4 GHz and utilize die cast components on non-critical areas to provide a low-cost solution.

FEATURES & BENEFITS

Selective plating provides corrosion resistance finish as well as good solderability characteristics

Various plating options in nickel, gold, and tin lead

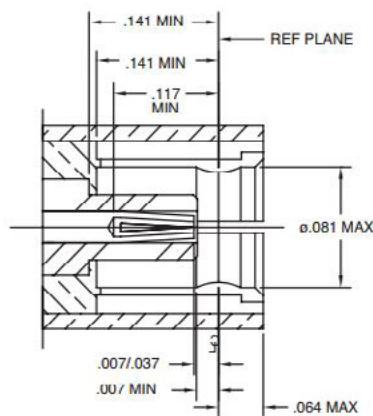
SMB PCB slide-on plug and jack allows board-to-board mounting with a low insertion force making this is ideal for mating a high number of connectors on a pair of PCB's

For more SMB Connectors, visit:

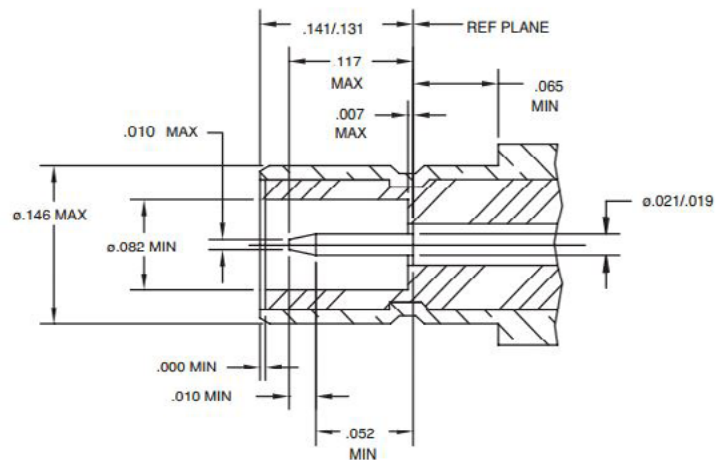
<https://www.amphenorlf.com/connectors/smb.html>

INTERFACE DIMENSIONS

PLUG



JACK



SMB CONNECTOR SERIES

CABLE MOUNT

STRAIGHT PLUGS



Part Number	Cable Type	Impedance	Plating		Termination		Special Features
			Body	Contact	Ferrule	Contact	
142255	RG-58, LMR-195	50	Gold	Gold	Crimp	Solder	
142220	RG-55, RG-142	50	Gold	Gold	Crimp	Solder	
142187	RG-316 DB	50	Gold	Gold	Crimp	Solder	
903-577P-51S1	RG-316	50	Nickel	Gold	Crimp	Solder	
142101	RG-179, RG-187	75	Nickel	Gold	Crimp	Solder	SMZ
142229	RG-178, RG-196	50	Gold	Gold	Crimp	Solder	
142186	RG174-RG-316, LMR-100	50	Gold	Gold	Crimp	Solder	

[VIEW ALL STRAIGHT PLUGS](#)

RIGHT ANGLE PLUGS



Part Number	Cable Type	Impedance	Plating		Termination		Special Features
			Body	Contact	Ferrule	Contact	
142206	RG-58, LMR-195	50	Gold	Gold	Crimp	Solder	
142176	RG-316 DB	50	Gold	Gold	Crimp	Solder	
903-NM289P-51A	RG-316	50	White	Gold	Crimp	Solder	Non-Magnetic
142194	RG-174, RG-316, LMR-100	50	Gold	Gold	Crimp	Solder	
903-613P-71AD	AT&T 735A, Belden 735A1	75	Nickel	Gold	Crimp	Solder	45 Degree Angle, Mini-SMB

[VIEW ALL RIGHT ANGLE PLUGS](#)

STRAIGHT JACKS



Part Number	Cable Type	Impedance	Plating		Termination		Special Features
			Body	Contact	Ferrule	Contact	
142330	RG-58	50	Gold	Gold	Crimp	Solder	
142182	RG-316	50	Nickel	Gold	Crimp	Crimp	
142190	RG-316 DB	50	Gold	Gold	Crimp	Solder	
142241	RG-178, RG-196	50	Gold	Gold	Crimp	Solder	
142189	RG-174, RG-316, LMR-100	50	Gold	Gold	Crimp	Solder	

[VIEW ALL RIGHT ANGLE PLUGS](#)

BULKHEAD JACKS



Part Number	Cable Type	Impedance	Plating		Termination		Special Features
			Body	Contact	Ferrule	Contact	
142150	Solder Cup	50	Gold	Gold	Solder Cup	Solder	Solder Cup
142331	RG-58	50	Gold	Gold	Crimp	Crimp	
903-505J-51S1	RG-316 DB	50	Gold	Gold	Crimp	Solder	
142231	RG-178, RG-196	50	Gold	Gold	Crimp	Solder	
142191	RG-174, RG-316, LMR-100	50	Gold	Gold	Crimp	Solder	
142233	RG-174, RG-316, LMR-100	50	Gold	Gold	Crimp	Solder	Right Angle

[VIEW ALL BULKHEAD PLUGS](#)

RIGHT ANGLE JACKS

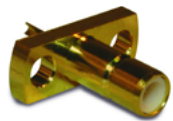


Part Number	Cable Type	Impedance	Plating		Termination		Special Features
			Body	Contact	Ferrule	Contact	
142252	RG-174, RG-316, LMR-100	50	Gold	Gold	Crimp	Solder	

[VIEW ALL BULKHEAD PLUGS](#)

SMB CONNECTOR SERIES

FLANGES



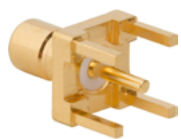
Part Number	Mounting	Impedance	Plating		Termination		Special Features
			Body	Contact	Ferrule	Contact	
142166	2-Hole Flange	50	Gold	Gold	Solder Cup	Solder	
142162	4-Hole Flange	50	Gold	Gold	Solder Cup	Solder	

[VIEW ALL 2-HOLE FLANGE](#)

[VIEW ALL 4-HOLE FLANGE](#)

PCB MOUNT

THROUGH-HOLE PCB JACKS



Part Number	Mounting	Impedance	Plating		Special Features
			Body	Contact	
142138	Through-Hole	50	Gold	Gold	
142146	Through-Hole	50	Gold	Gold	Right Angle
142184	Through-Hole	50	Gold	Gold	Bulkhead, Right Angle
142210	Through-Hole	50	Gold	Gold	Bulkhead

[VIEW ALL THROUGH HOLE PCB](#)

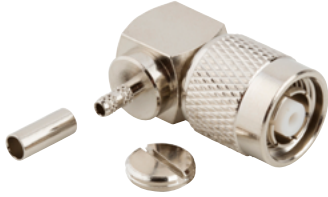
END LAUNCH PCB JACKS



Part Number	Mounting	Impedance	Plating		Special Features
			Body	Contact	
903-518J-51P	End Launch	50	Gold	Gold	

[VIEW ALL END LAUNCH PCB JACKS](#)

TNC CONNECTOR SERIES



The TNC connector series is a miniature, threaded, weatherproof series with a constant 50 Ω impedance and a frequency range of DC - 11 GHz. It has the same form factor as a BNC with a threaded coupling nut interface. The threaded interface allows the TNC to perform at higher frequencies and provides secure mating against shock and vibration.

TNC connectors are also produced with standard and reverse polarity interfaces. Reverse polarity mating provides a keying system to ensure that reverse polarity interface connectors do not mate with standard interface connectors. The TNC product line features a robust selection of mating and termination options.

FEATURES & BENEFITS

Threaded coupling interface ensures connector with not de-couple in vibration-intense applications

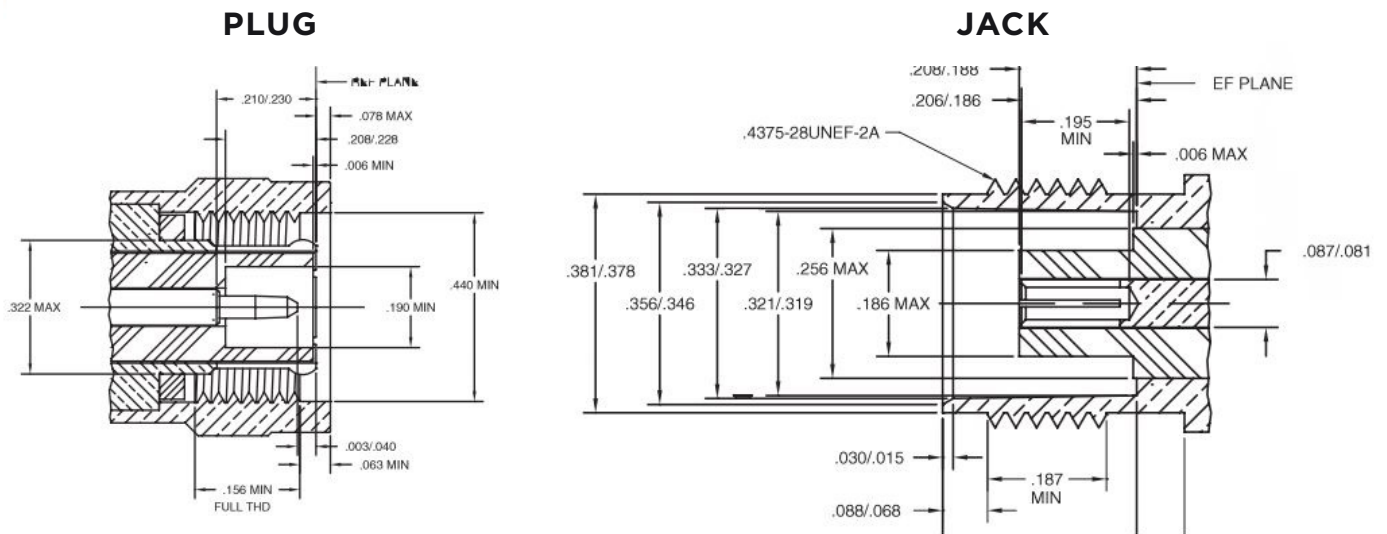
Durable construction

Performance from DC - 11 GHz operations in many applications

For more TNC Connectors, visit:

<https://www.amphenolrf.com/connectors/tnc.html>

INTERFACE DIMENSIONS



TNC CONNECTOR SERIES

CABLE MOUNT

STRAIGHT CRIMP PLUGS, 50 OHM



Part Number	Cable Type	Impedance	Plating		Termination		Special Feature
			Body	Contact	Ferrule	Contact	
122108	RG-58	50	Nickel	Gold	Crimp	Crimp	
031-2315-RFX	RG-174, RG-316	50	Nickel	Gold	Crimp	Crimp	
031-6825	LMR-240, RG-8X	50	Nickel	Gold	Crimp	Solder	
122108RP	RG-58	50	Nickel	Gold	Crimp	Crimp	Reverse Polarity

[VIEW ALL STRAIGHT CRIMP PLUGS, 50 OHM](#)

STRAIGHT CRIMP JACKS, 50 OHM



Part Number	Cable Type	Impedance	Plating		Termination		Special Feature
			Body	Contact	Ferrule	Contact	
122373	RG-55, RG-142	50	Nickel	Gold	Crimp	Crimp	
122122	RG-58	50	Nickel	Gold	Crimp	Crimp	
031-6827	LMR-240, RG-8X	50	Nickel	Gold	Crimp	Crimp	
122122RP	RG-58	50	Nickel	Gold	Crimp	Crimp	Reverse Polarity

[VIEW ALL STRAIGHT CRIMP JACKS, 50 OHM](#)

STRAIGHT CRIMP PLUGS, 75 OHM



Part Number	Cable Type	Impedance	Plating		Termination		Special Feature
			Body	Contact	Ferrule	Contact	
122390	RG-6	75	Nickel	Gold	Crimp	Crimp	
122426	Belden 1505A	75	Nickel	Gold	Crimp	Crimp	

[VIEW ALL STRAIGHT CRIMP PLUGS, 75 OHM](#)

STRAIGHT JACKS, 75 OHM



Part Number	Cable Type	Impedance	Plating		Termination		Special Feature
			Body	Contact	Ferrule	Contact	
122333	Solder Cup	75	Nickel	Gold	N/A	Solder	Bulkhead Mount
122193	RG-179	75	Nickel	Gold	Crimp	Crimp	Bulkhead Mount
122125	RG-59	75	Nickel	Gold	Crimp	Crimp	

[VIEW ALL STRAIGHT JACKS, 75 OHM](#)

STRAIGHT CRIMP JACKS, PANEL MOUNT



Part Number	Cable Type	Impedance	Plating		Termination		Special Feature
			Body	Contact	Ferrule	Contact	
031-2318-RFX	RG-174, RG-316	50	Nickel	Gold	Crimp	Crimp	Bulkhead Mount
122160	RG-58	50	Nickel	Gold	Crimp	Solder	Bulkhead Mount
122379	RG-174, RG-316	50	Nickel	Gold	Crimp	Crimp	4-Hole Flange
122192RP	RG-174, RG-316	50	Nickel	Gold	Crimp	Solder	Reverse Polarity, Bulkhead Mount

[VIEW ALL STRAIGHT CRIMP JACKS, PANEL MOUNT](#)

TNC CONNECTOR SERIES

RIGHT ANGLE CRIMP PLUGS



Part Number	Cable Type	Impedance	Plating		Termination		Special Feature
			Body	Contact	Ferrule	Contact	
122430	RG-55, RG-142	50	Nickel	Gold	Crimp	Solder	
122140	RG-58	50	Nickel	Gold	Crimp	Solder	
122140RP	RG-58	50	Nickel	Gold	Crimp	Solder	Reverse Polarity
031-6822	LMR-195	50	Nickel	Gold	Crimp	Solder	

[VIEW ALL RIGHT ANGLE CRIMP PLUGS](#)

CLAMP PLUGS



Part Number	Cable Type	Impedance	Plating		Termination		Special Feature
			Body	Contact	Ferrule	Contact	
000-79875-RFX	RG-58	50	Nickel	Gold	Clamp	Crimp	Straight
122381	RG-8, RG-213	50	Nickel	Gold	Clamp	Crimp	Straight
000-79075	RG-58	50	Nickel	Silver	Clamp	Crimp	Right Angle

[VIEW ALL CLAMP PLUGS](#)

PCB MOUNT

STRAIGHT PCB JACKS



Part Number	Mounting	Impedance	Plating		Special Feature
			Body	Contact	
122440	Through-Hole	50	Nickel	Gold	
031-71063	Through-Hole	75	Nickel	Gold	
122440RP	Through-Hole	50	Nickel	Gold	Reverse Polarity

[VIEW ALL STRAIGHT PCB JACKS](#)

RIGHT ANGLE PCB JACKS



Part Number	Mounting	Impedance	Plating		Special Feature
			Body	Contact	
031-5607	Through-Hole	50	Nickel	Gold	
031-5660	Through-Hole	50	Nickel	Gold	Bulkhead Mount
122490RP	Through-Hole	50	Nickel	Gold	Reverse Polarity, Bulkhead Mount

[VIEW ALL RIGHT ANGLE PCB JACKS](#)

EDGE MOUNT PCB JACKS



Part Number	Mounting	Impedance	Plating		Special Feature
			Body	Contact	
031-6530	Edge	50	Gold	Gold	Bulkhead Mount, IP-67

[VIEW ALL EDGE MOUNT PCB JACKS](#)

FIXED LENGTH CABLE ASSEMBLIES

Click on the ● to view all cable assemblies available in each category.

	1.0/2.3	AMC	AMC4	AMMC	BNC	FAKRA	HD-BNC	MCX	MINI-SMB	MMCX	N-TYPE	PROBE	SMA	SMB	SMP	SMPM	TNC	UNTERMINATED
1.0/2.3					●		●											
AMC		●				●		●			●		●				●	●
AMC4													●					
AMMC				●														
BNC	●				●		●						●	●				
FAKRA		●																
HD-BNC	●				●		●											
MCX		●						●					●					
MINI-SMB									●									
MMCX										●			●					
N-TYPE		●									●							
PROBE													●					
SMA		●	●		●			●		●		●	●		●			●
SMB					●									●				
SMP													●		●			
SMPM																●		
TNC		●																
UNTERMINATED		●											●					

FIXED LENGTH CABLE ASSEMBLIES

1.0/2.3 ASSEMBLIES

1.0/2.3 to HD-BNC

Part Number	Side 1	Side 2	Cable	Impedance
095-850-156xxxx	1.0/2.3 Str Plug	HD-BNC Str Plug	Belden 1505A	75
095-850-157xxxx	1.0/2.3 Str Plug	HD-BNC Str Plug	Belden 1694A	75
095-850-155xxxx	1.0/2.3 Str Plug	HD-BNC Str Plug	Belden 1855A	75

1.0/2.3 to BNC

Part Number	Side 1	Side 2	Cable	Impedance
095-850-201xxxx	1.0/2.3 Str Plug	BNC Str Plug	RG-179	75

[VIEW ALL 1.0/2.3 CABLE ASSEMBLIES](#)

AMC ASSEMBLIES

AMC to AMC

Part Number	Side 1	Side 2	Cable	Impedance
A-1PA-132-xxxxx	AMC R/A Plug	AMC R/A Plug	1.32 mm	50
A-1PA-081-xxxxx	AMC R/A Plug	AMC R/A Plug	0.81 mm	50
A-1PA-113-xxxxx	AMC R/A Plug	AMC R/A Plug	1.13 mm	50
A-1PA-137-xxxxx	AMC R/A Plug	AMC R/A Plug	1.37 mm	50
A-1PA-178-xxxxx	AMC R/A Plug	AMC R/A Plug	RG-178	50
A-1PL-081-xxxxx	Low Profile AMC R/A Plug	Low Profile AMC R/A Plug	0.81 mm	50

AMC to FAKRA

Part Number	Side 1	Side 2	Cable	Impedance
095-820-109xxxx	AMC R/A Plug	FAKRA Str Blkhd Plug IP67	1.37 mm	50

AMC to MCX

Part Number	Side 1	Side 2	Cable	Impedance
336503-12-xxxx	AMC R/A Plug	MCX Str Blkhd Jack	1.13 mm	50
336503-13-xxxx	AMC R/A Plug	MCX Str Blkhd Jack	1.32 mm	50
336503-14-xxxx	AMC R/A Plug	MCX Str Blkhd Jack	1.37 mm	50
336503-08-xxxx	AMC R/A Plug	MCX Str Blkhd Jack	RG-178	50

AMC to N-Type

Part Number	Side 1	Side 2	Cable	Impedance
095-909-155xxxx	AMC R/A Plug	N-Type Str Blkhd Jack	RG-178	50

AMC to SMA

Part Number	Side 1	Side 2	Cable	Impedance
095-902-492xxxx	AMC R/A Plug	SMA R/A PCB Jack	1.13 mm	50
336313-12-xxxx	AMC R/A Plug	SMA Str Blkhd Jack	1.13 mm	50
336320-12-xxxx	AMC R/A Plug	SMA Str Blkhd Jack IP67	1.13 mm	50
336313-13-xxxx	AMC R/A Plug	SMA Str Blkhd Jack	1.32 mm	50
336313-14-xxxx	AMC R/A Plug	SMA Str Blkhd Jack	1.37 mm	50
336319-12-xxxx	AMC R/A Plug	SMA Str Blkhd Jack IP67	1.13 mm	50
336314-12-xxxx	AMC R/A Plug	SMA Str Blkhd Jack RP	1.13 mm	50
336314-13-xxxx	AMC R/A Plug	SMA Str Blkhd Jack RP	1.32 mm	50
336314-14-xxxx	AMC R/A Plug	SMA Str Blkhd Jack RP	1.37 mm	50

FIXED LENGTH CABLE ASSEMBLIES

AMC to Underterminated Blunt Cut

Part Number	Side 1	Side 2	Cable	Impedance
095-666-50056-x	AMC R/A Plug	Underterminated Blunt Cut	1.13 mm	50

AMC to TNC

Part Number	Side 1	Side 2	Cable	Impedance
336203-12-xxxx	AMC R/A Plug	TNC Str Blkhd Jack	1.13 mm	50
336206-12-xxxx	AMC R/A Plug	TNC Str Blkhd Jack RP	1.13 mm	50
336209-13-xxxx	AMC R/A Plug	TNC Str Blkhd Jack	1.32 mm	50
336209-12-xxxx	AMC R/A Plug	TNC Str Blkhd Jack IP67	1.13 mm	50
336212-12-xxxx	AMC R/A Plug	TNC Str Blkhd Jack IP67 RP	1.13 mm	50
336206-14-xxxx	AMC R/A Plug	TNC Str Blkhd Jack RP	1.37 mm	50

[VIEW ALL AMC CABLE ASSEMBLIES](#)

AMC4 ASSEMBLIES

AMC4 to SMA

Part Number	Side 1	Side 2	Cable	Impedance
095-902-488xxxx	AMC4 R/A Plug	SMA Str Blkhd Jack	1.13 mm	50
095-902-501xxxx	AMC4 R/A Plug	SMA Str Blkhd Jack RP	1.13 mm	50
095-902-502xxxx	AMC4 R/A Plug	SMA Str Blkhd Jack IP67	1.13 mm	50
095-902-503xxxx	AMC4 R/A Plug	SMA Str Blkhd Jack RP IP67	1.13 mm	50

[VIEW ALL AMC4 CABLE ASSEMBLIES](#)

AMMC ASSEMBLIES

AMMC to AMMC

Part Number	Side 1	Side 2	Cable	Impedance
A-2PA-113-xxxxx	AMMC R/A Plug	AMMC R/A Plug	1.13 mm	50
A-2PA-081-xxxxx	AMMC R/A Plug	AMMC R/A Plug	0.81 mm	50

[VIEW ALL AMMC CABLE ASSEMBLIES](#)

BNC ASSEMBLIES

BNC to 1.0/2.3

Part Number	Side 1	Side 2	Cable	Impedance
095-850-201xxxx	BNC Str Plug	1.0/2.3 Str Plug	RG-179	75

BNC to HD-BNC

Part Number	Side 1	Side 2	Cable	Impedance
095-666-44883-x	BNC Str Jack	HD-BNC Str Plug	Belden 1855A	75
095-666-44882-x	BNC Str Jack	HD-BNC Str Plug	Belden 1694A	75
095-850-192xxxx	BNC Str Jack	HD-BNC Str Plug	Belden 4794R	75
095-850-193xxxx	BNC Str Jack	HD-BNC Str Plug	Belden 4855R	75
095-850-162xxxx	BNC Str Plug	HD-BNC Str Plug	Belden 1505A	75
095-850-215xxxx	BNC Str Jack	HD-BNC Str Plug	Belden 4505R	75
095-850-216xxxx	BNC Str Jack	HD-BNC Str Plug	Belden 4694R	75
095-850-131xxxx	BNC Str Plug	HD-BNC Str Plug	Belden 1694A	75
095-850-189xxxx	BNC Str Plug	HD-BNC Str Plug	Belden 4855R	75
095-850-130xxxx	BNC Str Jack	HD-BNC Str Plug	Belden 1855A	75
095-850-217xxxx	BNC Str Plug	HD-BNC Str Plug	Belden 4505R	75
095-850-218xxxx	BNC Str Plug	HD-BNC Str Plug	Belden 4694R	75

FIXED LENGTH CABLE ASSEMBLIES

BNC to SMA

Part Number	Side 1	Side 2	Cable	Impedance
245101-07-xxxx	BNC Str Plug	SMA Str Plug	RG-142	50
245101-01-xxxx	BNC Str Plug	SMA Str Plug	RG-316	50
245101-04-xxxx	BNC Str Plug	SMA Str Plug	RG-58	50

BNC to SMB

Part Number	Side 1	Side 2	Cable	Impedance
245103-02-xxxx	BNC Str Plug	SMB 50 Ohm R/A Plug	RG-174	50

BNC to BNC

Part Number	Side 1	Side 2	Cable	Impedance
115103-15-xxxxx	BNC Str Plug	BNC R/A Plug	RG-59	75
095-850-165xxxx	BNC Str Plug	BNC Str Plug	Belden 1505A	75
095-850-166xxxx	BNC Str Plug	BNC Str Plug	Belden 1694A	75
115101-35-xxxxx	BNC Str Plug	BNC Str Plug	Belden 179DT	75
095-850-164xxxx	BNC Str Plug	BNC Str Plug	Belden 1855A	75
095-850-186xxxx	BNC Str Plug	BNC Str Plug	Belden 4794R	75
095-850-187xxxx	BNC Str Plug	BNC Str Plug	Belden 4855R	75
115101-06-xxxxx	BNC Str Plug	BNC Str Plug	Belden 8218	75
115101-30-xxxxx	BNC Str Plug	BNC Str Plug	LMR-100	50
115101-22-xxxxx	BNC Str Plug	BNC Str Plug	LMR-240	50
115101-07-xxxxx	BNC Str Plug	BNC Str Plug	RG-142	50
115101-02-xxxxx	BNC Str Plug	BNC Str Plug	RG-174	50
115101-05-xxxxx	BNC Str Plug	BNC Str Plug	RG-179	75
115101-01-xxxxx	BNC Str Plug	BNC Str Plug	RG-316	50
115101-19-xxxxx	BNC Str Plug	BNC Str Plug	RG-58	50
115101-20-xxxxx	BNC Str Plug	BNC Str Plug	RG-59	75
115104-15-xxxxx	BNC R/A Plug	BNC R/A Plug	RG-59	75
115103-04-xxxxx	BNC Str Plug	BNC R/A Plug	RG-58	50
115103-15-xxxxx	BNC Str Plug	BNC R/A Plug	RG-59	75

[VIEW ALL BNC CABLE ASSEMBLIES](#)

HD-BNC ASSEMBLIES

HD-BNC to 1.0/2.3

Part Number	Side 1	Side 2	Cable	Impedance
095-850-156xxxx	HD-BNC Str Plug	1.0/2.3 Str Plug	Belden 1505A	75
095-850-157xxxx	HD-BNC Str Plug	1.0/2.3 Str Plug	Belden 1694A	75
095-850-155xxxx	HD-BNC Str Plug	1.0/2.3 Str Plug	Belden 1855A	75

HD-BNC to HD-BNC

Part Number	Side 1	Side 2	Cable	Impedance
095-850-159xxxx	HD-BNC Str Plug	HD-BNC Str Plug	Belden 1505A	75
095-850-160xxxx	HD-BNC Str Plug	HD-BNC Str Plug	Belden 1694A	75
095-850-158xxxx	HD-BNC Str Plug	HD-BNC Str Plug	Belden 1855A	75
095-850-214xxxx	HD-BNC Str Plug	HD-BNC Str Plug	Belden 4794R	75
095-850-188xxxx	HD-BNC Str Plug	HD-BNC Str Plug	Belden 4855R	75
095-850-185xxxx	HD-BNC Str Plug	HD-BNC Str Plug	RG-316	50

FIXED LENGTH CABLE ASSEMBLIES

HD-BNC to BNC

Part Number	Side 1	Side 2	Cable	Impedance
095-666-44883-x	HD-BNC Str Plug	BNC Str Jack	Belden 1855A	75
095-666-44882-x	HD-BNC Str Plug	BNC Str Jack	Belden 1694A	75
095-850-215xxxx	HD-BNC Str Plug	BNC Str Jack	Belden 4505R	75
095-850-216xxxx	HD-BNC Str Plug	BNC Str Jack	Belden 4694R	75
095-850-192xxxx	HD-BNC Str Plug	BNC Str Jack	Belden 4794R	75
095-850-193xxxx	HD-BNC Str Plug	BNC Str Jack	Belden 4855R	75
095-850-162xxxx	HD-BNC Str Plug	BNC Str Plug	Belden 1505A	75
095-850-131xxxx	HD-BNC Str Plug	BNC Str Plug	Belden 1694A	75
095-850-130xxxx	HD-BNC Str Plug	BNC Str Plug	Belden 1855A	75
095-850-217xxxx	HD-BNC Str Plug	BNC Str Plug	Belden 4505R	75
095-850-218xxxx	HD-BNC Str Plug	BNC Str Plug	Belden 4694R	75
095-850-189xxxx	HD-BNC Str Plug	BNC Str Plug	Belden 4855R	75

[VIEW ALL HD-BNC CABLE ASSEMBLIES](#)

FAKRA ASSEMBLIES

FAKRA TO AMC

Part Number	Side 1	Side 2	Cable	Impedance
095-820-109xxxx	FAKRA Str Blkhd Plug IP67	AMC R/A Plug	1.37 mm	50

[VIEW ALL FAKRA CABLE ASSEMBLIES](#)

MCX ASSEMBLIES

MCX to MCX

Part Number	Side 1	Side 2	Cable	Impedance
255104-08-xxxxx	MCX R/A Plug	MCX R/A Plug	RG-178	50
255104-01-xxxxx	MCX R/A Plug	MCX R/A Plug	RG-316	50
255104-03-xxxxx	MCX R/A Plug	MCX R/A Plug	RG-316 DB	50
255103-01-xxxxx	MCX Str Plug	MCX R/A Plug	RG-316	50
255110-01-xxxxx	MCX Str Plug	MCX Str Blkhd Jack	RG-316	50
255101-08-xxxxx	MCX Str Plug	MCX Str Plug	RG-178	50
255101-05-xxxxx	MCX Str Plug	MCX Str Plug	RG-179	75
255101-01-xxxxx	MCX Str Plug	MCX Str Plug	RG-316	50

MCX to SMA

Part Number	Side 1	Side 2	Cable	Impedance
245130-01-xxxxx	MCX R/A Plug	SMA Str Blkhd Jack	RG-316	50

MCX to AMC

Part Number	Side 1	Side 2	Cable	Impedance
336503-12-xxxxx	MCX Str Blkhd Jack	AMC R/A Plug	1.13 mm	50
336503-13-xxxxx	MCX Str Blkhd Jack	AMC R/A Plug	1.32 mm	50
336503-14-xxxxx	MCX Str Blkhd Jack	AMC R/A Plug	1.37 mm	50
336503-08-xxxxx	MCX Str Blkhd Jack	AMC R/A Plug	RG-178	50

[VIEW ALL MCX CABLE ASSEMBLIES](#)

FIXED LENGTH CABLE ASSEMBLIES

MINI-SMB ASSEMBLIES

Mini-SMB to Mini-SMB				
Part Number	Side 1	Side 2	Cable	Impedance
145104-05-xxxxx	Mini-SMB 75 Ohm R/A Plug	Mini-SMB 75 Ohm R/A Plug	RG-179	75
145111-05-xxxxx	Mini-SMB 75 Ohm R/A Plug	Mini-SMB 75 Ohm Str Plug	RG-179	75
145103-18-xxxxx	Mini-SMB 75 Ohm Str Plug	Mini-SMB 75 Ohm R/A Plug	RG-179 DB	75
145101-05-xxxxx	Mini-SMB 75 Ohm Str Plug	Mini-SMB 75 Ohm Str Plug	RG-179	75
145101-18-xxxxx	Mini-SMB 75 Ohm Str Plug	Mini-SMB 75 Ohm Str Plug	RG-179 DB	75

[VIEW ALL MINI-SMB CABLE ASSEMBLIES](#)

MMCX ASSEMBLIES

MMCX to MMCX				
Part Number	Side 1	Side 2	Cable	Impedance
265104-08-xxxxx	MMCX R/A Plug	MMCX R/A Plug	RG-178	50
265104-01-xxxxx	MMCX R/A Plug	MMCX R/A Plug	RG-316	50
265103-08-xxxxx	MMCX Str Plug	MMCX R/A Plug	RG-178	50
265103-01-xxxxx	MMCX Str Plug	MMCX R/A Plug	RG-316	50
265101-08-xxxxx	MMCX Str Plug	MMCX Str Plug	RG-178	50

MMCX to SMA				
Part Number	Side 1	Side 2	Cable	Impedance
245108-02-xxxxx	MMCX R/A Plug	SMA R/A Blkhd Jack	RG-174	50
245108-01-xxxxx	MMCX R/A Plug	SMA R/A Blkhd Jack	RG-316	50
245106-02-xxxxx	MMCX R/A Plug	SMA Str Blkhd Jack	RG-174	50
245106-01-xxxxx	MMCX R/A Plug	SMA Str Blkhd Jack	RG-316	50
245102-08-xxxxx	MMCX R/A Plug	SMA Str Blkhd Jack RP	RG-178	50
095-902-485xxx	MMCX R/A Plug	SMA Str Plug	RG-316	50
265101-01-xxxxx	MMCX R/A Plug	MMCX Str Plug	RG-316	50
245105-02-xxxxx	MMCX Str Plug	SMA R/A Blkhd Jack	RG-174	50
245107-02-xxxxx	MMCX Str Plug	SMA Str Blkhd Jack	RG-174	50

[VIEW ALL MMCX CABLE ASSEMBLIES](#)

N-TYPE ASSEMBLIES

N-Type to AMC				
Part Number	Side 1	Side 2	Cable	Impedance
095-909-155xxxx	N-Type Str Blkhd Jack	AMC R/A Plug	RG-178	50

N-Type to N-Type				
Part Number	Side 1	Side 2	Cable	Impedance
175101-R1-xxxxx	N-Type Str Plug	N-Type Str Plug	Conformable 0.085	50
175101-R2-xxxxx	N-Type Str Plug	N-Type Str Plug	Conformable 0.141	50
175101-21-xxxxx	N-Type Str Plug	N-Type Str Plug	LMR-195	50
175101-17-xxxxx	N-Type Str Plug	N-Type Str Plug	LMR-200	50
175101-22-xxxxx	N-Type Str Plug	N-Type Str Plug	LMR-240	50
175101-10-xxxxx	N-Type Str Plug	N-Type Str Plug	LMR-400	50
175101-07-xxxxx	N-Type Str Plug	N-Type Str Plug	RG-142	50
175101-19-xxxxx	N-Type Str Plug	N-Type Str Plug	RG-58	50

[VIEW ALL N-TYPE CABLE ASSEMBLIES](#)

FIXED LENGTH CABLE ASSEMBLIES

PROBE ASSEMBLIES

Probe to SMA				
Part Number	Side 1	Side 2	Cable	Impedance
095-668-45097	Probe R/A Plug	SMA Str Plug	RG-178	50
095-668-45069-x	Probe R/A Plug	SMA Str Blkhd Jack	RG-178	50
095-902-4-27xxxx	Probe R/A Plug	SMA Str Plug	1.5D-2V	50

[VIEW ALL PROBE CABLE ASSEMBLIES](#)

SMA ASSEMBLIES

SMA to AMC				
Part Number	Side 1	Side 2	Cable	Impedance
095-902-492xxxx	SMA R/A PCB Jack	AMC R/A Plug	1.13 mm	50
336313-12-xxxx	SMA Str Blkhd Jack	AMC R/A Plug	1.13 mm	50
336320-12-xxxx	SMA Str Blkhd Jack IP67	AMC R/A Plug	1.13 mm	50
336313-13-xxxxx	SMA Str Blkhd Jack	AMC R/A Plug	1.32 mm	50
336313-14-xxxxx	SMA Str Blkhd Jack	AMC R/A Plug	1.37 mm	50
336319-12-xxxxx	SMA Str Blkhd Jack IP67	AMC R/A Plug	1.13 mm	50
336314-12-xxxxx	SMA Str Blkhd Jack RP	AMC R/A Plug	1.13 mm	50
336314-13-xxxxx	SMA Str Blkhd Jack RP	AMC R/A Plug	1.32 mm	50
336314-14-xxxxx	SMA Str Blkhd Jack RP	AMC R/A Plug	1.37 mm	50

SMA to AMC4				
Part Number	Side 1	Side 2	Cable	Impedance
095-902-488xxxx	SMA Str Blkhd Jack	AMC4 R/A Plug	1.13 mm	50
095-902-501xxxx	SMA Str Blkhd Jack RP	AMC4 R/A Plug	1.13 mm	50
095-902-502xxxx	SMA Str Blkhd Jack IP67	AMC4 R/A Plug	1.13 mm	50
095-902-503xxxx	SMA Str Blkhd Jack IP67	AMC4 R/A Plug	1.13 mm	50

SMA to MCX				
Part Number	Side 1	Side 2	Cable	Impedance
245130-01-xxxxx	SMA Str Blkhd Jack	MCX R/A Plug	RG-316	50

SMA to MMCX				
Part Number	Side 1	Side 2	Cable	Impedance
245108-02-xxxxx	SMA R/A Blkhd Jack	MMCX R/A Plug	RG-174	50
245108-01-xxxxx	SMA R/A Blkhd Jack	MMCX R/A Plug	RG-316	50
245105-02-xxxxx	SMA R/A Blkhd Jack	MMCX Str Plug	RG-174	50
245106-02-xxxxx	SMA Str Blkhd Jack	MMCX R/A Plug	RG-174	50
245106-01-xxxxx	SMA Str Blkhd Jack	MMCX R/A Plug	RG-316	50
095-902-485xxx	SMA Str Plug	MMCX R/A Plug	RG-316	50
245105-02-xxxxx	SMA R/A Blkhd Jack	MMCX Str Plug	RG-174	50
245107-02-xxxxx	SMA R/A Blkhd Jack	MMCX Str Plug	RG-174	50

SMA to Probe				
Part Number	Side 1	Side 2	Cable	Impedance
095-668-45097	SMA Str Plug	Probe R/A Plug	RG-178	50
095-668-45069	SMA Str Blkhd Jack	Probe R/A Plug	RG-178	50
095-902-427xxxx	SMA Str Plug	Probe R/A Plug	1.5D-2V	50

FIXED LENGTH CABLE ASSEMBLIES

SMA to SMA

Part Number	Side 1	Side 2	Cable	Impedance
135104-R1-xxxxx	SMA R/A Plug	SMA R/A Plug	Conformable 0.085	50
095-902-478xxxx	SMA R/A Plug	SMA R/A Plug	LMR-195	50
095-902-482xxxx	SMA R/A Plug	SMA R/A Plug	LMR-240	50
135104-07-xxxxx	SMA R/A Plug	SMA R/A Plug	RG-142	50
135104-02-xxxxx	SMA R/A Plug	SMA R/A Plug	RG-174	50
135104-01-xxxxx	SMA R/A Plug	SMA R/A Plug	RG-316	50
135104-03-xxxxx	SMA R/A Plug	SMA R/A Plug	RG-316 DB	50
135104-04-xxxxx	SMA R/A Plug	SMA R/A Plug	RG-58	50
135107-04-xxxxx	SMA R/A Plug	SMA Str Jack	RG-58	50
135103-08-xxxxx	SMA R/A Plug	SMA Str Plug	RG-178	50
095-902-476xxxx	SMA Str Plug	SMA R/A Plug	LMR-195	50
095-902-480xxxx	SMA Str Plug	SMA R/A Plug	LMR-240	50
135103-07-xxxxx	SMA Str Plug	SMA R/A Plug	RG-142	50
135103-02-xxxxx	SMA Str Plug	SMA R/A Plug	RG-174	50
135103-01-xxxxx	SMA Str Plug	SMA R/A Plug	RG-316	50
135103-03-xxxxx	SMA Str Plug	SMA R/A Plug	RG-316 DB	50
135103-04-xxxxx	SMA Str Plug	SMA R/A Plug	RG-58	50
095-902-477xxxx	SMA Str Plug	SMA Str Blkhd Jack	LMR-195	50
095-902-481xxxx	SMA Str Plug	SMA Str Blkhd Jack	LMR-240	50
095-902-449xxxx	SMA Str Plug	SMA Str Plug	Conformable 0.085	50
135101-R1-xxxxx	SMA Str Plug	SMA Str Plug	Conformable 0.085	50
135106-R1-xxxxx	SMA Str Plug	SMA Str Jack	Conformable 0.085	50
095-902-450xxxx	SMA Str Plug	SMA Str Plug	Conformable 0.141	50
135101-R2-xxxxx	SMA Str Plug	SMA Str Plug	Conformable 0.141	50
095-902-475xxxx	SMA Str Plug	SMA Str Plug	LMR-195	50
095-902-479xxxx	SMA Str Plug	SMA Str Plug	LMR-240	50
135101-07-xxxxx	SMA Str Plug	SMA Str Plug	RG-142	50
135101-02-xxxxx	SMA Str Plug	SMA Str Plug	RG-174	50
135101-01-xxxxx	SMA Str Plug	SMA Str Plug	RG-316	50
135101-03-xxxxx	SMA Str Plug	SMA Str Plug	RG-316 DB	50
135101-04-xxxxx	SMA Str Plug	SMA Str Plug	RG-58	50
095-902-451xxxx	SMA Str Plug	SMA Str Plug	Tflex 405	50
135108-04-xxxxx	SMA Str Jack	SMA Str Jack	RG-58	50
135111-07-xxxxx	SMA Str Blkhd Jack	SMA R/A Plug	RG-142	50
135111-02-xxxxx	SMA Str Blkhd Jack	SMA R/A Plug	RG-174	50
135111-01-xxxxx	SMA Str Blkhd Jack	SMA R/A Plug	RG-316	50
135111-03-xxxxx	SMA Str Blkhd Jack	SMA R/A Plug	RG-316 DB	50
135111-04-xxxxx	SMA Str Blkhd Jack	SMA R/A Plug	RG-58	50
135110-07-xxxxx	SMA Str Blkhd Jack	SMA Str Plug	RG-142	50
135110-02-xxxxx	SMA Str Blkhd Jack	SMA Str Plug	RG-174	50
135110-01-xxxxx	SMA Str Blkhd Jack	SMA Str Plug	RG-316	50
135110-03-xxxxx	SMA Str Blkhd Jack	SMA Str Plug	RG-316 DB	50
135110-04-xxxxx	SMA Str Blkhd Jack	SMA Str Plug	RG-58	50

FIXED LENGTH CABLE ASSEMBLIES

SMA to SMP

Part Number	Side 1	Side 2	Cable	Impedance
095-902-459xxxx	SMA Str Plug	SMP Str Plug	Tflex 405	50

SMA to Underterminated

Part Number	Side 1	Side 2	Cable	Impedance
095-902-462xxxx	SMA Str Jack	Underterminated Blunt Cut	Conformable 0.047	50
095-902-463xxxx	SMA Str Jack	Underterminated Blunt Cut	Conformable 0.085	50
135100-01-xxxxx	SMA Str Plug	Underterminated Blunt Cut	RG-316	50

SMA to BNC

Part Number	Side 1	Side 2	Cable	Impedance
245101-07-xxxxx	SMA Str Plug	BNC Str Plug	RG-142	50
245101-01-xxxxx	SMA Str Plug	BNC Str Plug	RG-316	50
245101-04-xxxxx	SMA Str Plug	BNC Str Plug	RG-58	50

[VIEW ALL SMA CABLE ASSEMBLIES](#)

SMB ASSEMBLIES

SMB to BNC

Part Number	Side 1	Side 2	Cable	Impedance
245103-02-xxxxx	SMB 50 Ohm R/A Plug	BNC Str Plug	RG-174	50

SMB to SMB

Part Number	Side 1	Side 2	Cable	Impedance
145104-08-xxxxx	SMB 50 Ohm R/A Plug	SMB 50 Ohm R/A Plug	RG-178	50
145104-01-xxxxx	SMB 50 Ohm R/A Plug	SMB 50 Ohm R/A Plug	RG-316	50
145103-08-xxxxx	SMB 50 Ohm R/A Plug	SMB 50 Ohm Str Plug	RG-178	50
145103-01-xxxxx	SMB 50 Ohm Str Plug	SMB 50 Ohm R/A Plug	RG-316	50
145101-01-xxxxx	SMB 50 Ohm Str Plug	SMB 50 Ohm Str Plug	RG-316	50

[VIEW ALL SMB CABLE ASSEMBLIES](#)

SMP ASSEMBLIES

SMP to SMP

Part Number	Side 1	Side 2	Cable	Impedance
095-725-107xxxx	SMP Str Plug	SMP Str Plug	Tflex 405	50
095-725-108xxxx	SMP Str Plug	SMP Str Plug	Conformable 0.085	50

SMP to SMA

Part Number	Side 1	Side 2	Cable	Impedance
095-902-459xxxx	SMP Str Plug	SMA Str Plug	Tflex 405	50

[VIEW ALL SMP CABLE ASSEMBLIES](#)

SMPM ASSEMBLIES

SMPM to SMPM

Part Number	Side 1	Side 2	Cable	Impedance
095-725-112xxxx	SMPM Str Plug	SMPM Str Plug	Conformable 0.047	75
095-725-111xxxx	SMPM Str Plug	SMPM Str Plug	Conformable 0.085	50

[VIEW ALL SMPM CABLE ASSEMBLIES](#)

FIXED LENGTH CABLE ASSEMBLIES

TNC ASSEMBLIES

TNC to AMC				
Part Number	Side 1	Side 2	Cable	Impedance
336203-12-xxxxx	TNC Str Blkhd Jack	AMC R/A Plug	1.13 mm	50
336209-13-xxxxx	TNC Str Blkhd Jack	AMC R/A Plug	1.32 mm	50
336209-12-xxxxx	TNC Str Blkhd Jack IP67	AMC R/A Plug	1.13 mm	50
336212-12-xxxxx	TNC Str Blkhd Jack IP67 RP	AMC R/A Plug	1.13 mm	50
336206-14-xxxxx	TNC Str Blkhd Jack RP	AMC R/A Plug	1.37 mm	50
336206-12-xxxxx	TNC Str Blkhd Jack RP	AMC R/A Plug	1.13 mm	50

[VIEW ALL TNC CABLE ASSEMBLIES](#)

UNTERMINATED ASSEMBLIES

Unterminated to AMC				
Part Number	Side 1	Side 2	Cable	Impedance
095-666-50056-x	Unterminated Blunt Cut	AMC R/A Plug	1.13 mm	50

Unterminated to SMA				
Part Number	Side 1	Side 2	Cable	Impedance
095-902-462xxxx	Unterminated Blunt Cut	SMA Str Jack	Conformable 0.047	50
095-902-463xxxx	Unterminated Blunt Cut	SMA Str Jack	Conformable 0.085	50
135100-01-xxxx	Unterminated Blunt Cut	SMA Str Plug	RG-316	50

[VIEW ALL UNTERMINATED CABLE ASSEMBLIES](#)

COAXIAL ADAPTERS

Click on the ● to view all adapters in this category

	1.0/2.3	4.1/9.5	4.3/10	7/16	AFI	AMC	BNC	C-TYPE	FAKRA	FME	F-TYPE	G-TYPE	HD-BNC	HN-TYPE	MCX	MHV	MINI-SMB	MINI-UHF	MMCX	N-TYPE	PRECISION	PSMP	QMA	RP-N-TYPE	RP-SMA	RP-SMB	RP-TNC	SMA	SMB	SMC	SMP	SMPM	SSMA	SSMB	TNC	TRIAx	TWINAX	UHF		
1.0/2.3							●						●							●								●												
4.1/9.5				●																●	●																			
4.3/10			●	●																●	●								●											
7/16		●	●	●																●	●								●											
AFI					●																								●											
AMC							●												●	●					●				●							●				
BNC	●					●	●			●	●		●		●						●							●								●		●		
C-Type																					●																			
FAKRA																											●													
FME							●			●											●							●								●		●		
F-Type							●				●										●									●										
G-Type												●																												
HD-BNC	●						●						●								●							●												
HN-Type														●							●																			
MCX							●								●						●							●									●			
MHV																●																								
Mini-SMB																	●																							
Mini-UHF																												●								●		●		
MMCX							●													●	●					●			●											
N-Type	●	●	●	●		●	●	●		●	●		●	●	●					●	●			●	●		●	●	●	●					●		●			
Precision																					●																			
PSMP																							●																	
QMA																													●											
RP-N Type																					●				●															
RP-SMA							●													●	●				●				●											
RP-SMB																													●											
RP-TNC							●														●							●	●											
SMA	●		●	●	●	●	●		●	●			●	●	●					●	●			●	●	●	●	●	●	●	●	●	●	●	●	●		●		
SMB												●									●								●	●	●									
SMC																												●	●	●										
SMP																												●				●								
SMPM																																								
SSMA																													●											
SSMB																													●											
TNC						●	●			●					●					●	●							●	●										●	
TRIAx																																					●			
TWINAX																																						●		
UHF							●			●											●	●						●									●		●	

Tee-adapters available

COAXIAL ADAPTERS SERIES

1.0/2.3 ADAPTERS



DIN 1.0/2.3 products feature a patented ultra-slim push-pull coupling system which allows for quick installation and ensures positive locking and high retention. This series is available in 50 and 75 ohm configurations and operates from DC to 10 GHz. The compact design makes them ideal for applications with space constraints.

Part Number	Side 1	Side 2	Orientation	Impedance	Features
242229-75	1.0/2.3 Jack	BNC Jack	Straight	75	Bulkhead
242231-75	1.0/2.3 Jack	BNC Plug	Straight	75	Bulkhead
APH-HD-ISO-1023	1.0/2.3 Jack	HD-BNC Jack	Straight	75	Bulkhead, Isolated
242218	1.0/2.3 Jack	N-Type Jack	Straight	50	
901-10005	1.0/2.3 Jack	SMA Plug	Straight	50	
242207	1.0/2.3 Jack	SMA Plug	Straight	50	
242238-75	1.0/2.3 Plug	BNC Jack	Straight	75	
242217	1.0/2.3 Plug	N-Type Jack	Straight	50	
242179	1.0/2.3 Plug	SMA Jack	Straight	50	

[VIEW ALL 1.0/2.3 ADAPTERS](#)

4.1/9.5 ADAPTERS



The 4.1/9.5 series is a mechanically robust and high performance solution for wireless applications which require low passive intermodulation (PIM) and attenuation.

Part Number	Side 1	Side 2	Orientation	Impedance	Features
242281	4.1/9.5 Jack	N-Type Plug	Straight	50	
242277	4.1/9.5 Jack	7/16 Plug	Straight	50	
242282	4.1/9.5 Plug	N-Type Jack	Straight	50	
242278	4.1/9.5 Plug	7/16 Jack	Straight	50	

[VIEW ALL 4.1/9.5 ADAPTERS](#)

4.3/10 ADAPTERS



4.3/10 products offer the same robust design as 7/16 connectors but with a smaller footprint. Their lightweight design makes them ideal for wireless applications that require denser connector packing. This series is rated IP67 compliant and offers low passive intermodulation (PIM) and attenuation.

4.3/10 to 4.3/10					
Part Number	Side 1	Side 2	Orientation	Impedance	Features
AD-4310J4310J-2	4.3/10 Jack	4.3/10 Jack	Straight	50	Bulkhead
AD-4310J4310J-1	4.3/10 Jack	4.3/10 Jack	Straight	50	
AD-4310P4310J-2	4.3/10 Jack	4.3/10 Plug	Right Angle	50	
AD-4310P4310J-1	4.3/10 Jack	4.3/10 Plug	Straight	50	
AD-4310P4310P-1	4.3/10 Plug	4.3/10 Plug	Straight	50	

COAXIAL ADAPTERS SERIES

4.3/10 to 7/16

Part Number	Side 1	Side 2	Orientation	Impedance	Features
AD-716J4310J-1	4.3/10 Jack	7/16 Jack	Straight	50	
AD-716P4310J-1	4.3/10 Jack	7/16 Plug	Straight	50	
AD-716J4310P-1	4.3/10 Plug	7/16 Jack	Straight	50	
AD-716P4310P-1	4.3/10 Plug	7/16 Plug	Straight	50	

4.3/10 to N-Type

Part Number	Side 1	Side 2	Orientation	Impedance	Features
AD-4310JNJ-1	4.3/10 Jack	N-Type Jack	Straight	50	
AD-4310JNP-1	4.3/10 Jack	N-Type Plug	Straight	50	
AD-4310PNJ-1	4.3/10 Plug	N-Type Jack	Straight	50	
AD-4310PNP-1	4.3/10 Plug	N-Type Plug	Straight	50	

4.3/10 to SMA

Part Number	Side 1	Side 2	Orientation	Impedance	Features
AD-4310JSMAP-1	4.3/10 Jack	SMA Plug	Straight	50	
AD-4310PSMAJ-1	4.3/10 Plug	SMA Jack	Straight	50	

[VIEW ALL 4.3/10 ADAPTERS](#)

7/16 ADAPTERS



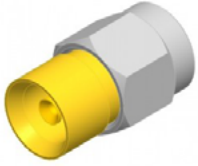
The 7/16 product series offers superior performance for both return loss and intermodulation distortion (IMD). These interconnects are robust and ideal for applications where vibration resistance and environmental protection is important. They are especially suitable for base stations and broadcast communication systems.

Part Number	Side 1	Side 2	Orientation	Impedance	Features
242278	7/16 Jack	4.1/9.5 Plug	Straight	50	
AD-716J4310J-1	7/16 Jack	4.3/10 Jack	Straight	50	
AD-716J4310P-1	7/16 Jack	4.3/10 Plug	Straight	50	
272301	7/16 Jack	7/16 Jack	Straight	50	Bulkhead
272300	7/16 Jack	7/16 Jack	Straight	50	
272292	7/16 Jack	7/16 Plug	Straight	50	
272150	7/16 Jack	7/16 Plug	Right Angle	50	
272183	7/16 Jack	N-Type Jack	Straight	50	Bulkhead
242137	7/16 Jack	N-Type Jack	Straight	50	
APH-716F-NF	7/16 Jack	N-Type Jack	Straight	50	
242135	7/16 Jack	N-Type Plug	Straight	50	
242266	7/16 Jack	SMA Plug	Straight	50	
242277	7/16 Plug	4.1/9.5 Jack	Straight	50	
AD-716P4310J-1	7/16 Plug	4.3/10 Jack	Straight	50	
AD-716P4310P-1	7/16 Plug	4.3/10 Plug	Straight	50	
272134	7/16 Plug	7/16 Plug	Straight	50	
242136	7/16 Plug	N-Type Jack	Straight	50	
APH-716M-NF	7/16 Plug	N-Type Jack	Straight	50	
242138	7/16 Plug	N-Type Plug	Straight	50	

[VIEW ALL 7/16 ADAPTERS](#)

COAXIAL ADAPTERS SERIES

AFI ADAPTERS



The AFI product series offers industry-leading “float” in order to compensate for axial and radial misalignment due to packaging tolerances. This series is a board-to-board solution designed for military and broadband applications.

Part Number	Side 1	Side 2	Orientation	Impedance	Features
APH-SMAF-AFIF	AFI Jack	SMA Jack	Straight	50	
APH-SMAP-AFIF	AFI Jack	SMA Plug	Straight	50	
APH-SMAF-AFIM	AFI Plug	SMA Jack	Straight	50	
920-169A-51S	AFI Plug	AFI Plug	Straight	50	
920-127A-71S	AFI Plug	AFI Plug	Straight	75	

[VIEW ALL AFI ADAPTERS](#)

AMC ADAPTERS



The AMC (Amphenol Micro Coaxial) product series is low profile (2.5 mm of the board) with an extremely small footprint (3 mm x 3 mm). This series utilizes a snap-on/snap-off connector style for secure and easy mating.

Part Number	Side 1	Side 2	Orientation	Impedance	Features
242225	AMC Jack	MMCX Jack	Straight	50	
242216	AMC Jack	N-Type Jack	Straight	50	Bulkhead
242201RP	AMC Jack	RP-SMA Jack	Straight	50	Bulkhead
242192RP	AMC Jack	RP-TNC Jack	Straight	50	Bulkhead
242201	AMC Jack	SMA Jack	Straight	50	Bulkhead
242212	AMC Jack	SMA Plug	Straight	50	
242259	AMC Jack	TNC Jack	Straight	50	4-Hole Flange
242192	AMC Jack	TNC Jack	Straight	50	Bulkhead
031-6109	AMC Plug	BNC Jack	Straight	50	Bulkhead
031-6112	AMC Plug	RP-TNC Jack	Straight	50	Bulkhead
031-6101	AMC Plug	RP-TNC Jack	Straight	50	2-Hole Flange
901-10175	AMC Plug	SMA Jack	Straight	50	Bulkhead
901-10097	AMC Plug	SMA Jack	Straight	50	Bulkhead
031-6208	AMC Plug	TNC Jack	Straight	50	Bulkhead

[VIEW ALL AMC ADAPTERS](#)

C-TYPE ADAPTERS

The C-Type series is designed for 50 ohm applications with a two-stud bayonet locking mechanism for quick and easy coupling. These products are weatherproof and ideal for outdoor applications.

Part Number	Side 1	Side 2	Orientation	Impedance	Features
082-508	C-Type Jack	N-Type Plug	Straight	50	

[VIEW ALL C-TYPE ADAPTERS](#)

COAXIAL ADAPTERS SERIES

BNC ADAPTERS



The BNC product series offers a diverse array of commercial and military grade options in terms of both configuration and termination style. The BNC features a bayonet coupling mechanism for positive, quick mating and un-mating. These miniature connectors are lightweight and reliable, and suited to accommodate PCB and cable-mount applications.

BNC to 1.0/2.3

Part Number	Side 1	Side 2	Orientation	Impedance	Features
242229-75	BNC Jack	1.0/2.3 Jack	Straight	75	Bulkhead
242238-75	BNC Jack	1.0/2.3 Plug	Straight	75	
242231-75	BNC Plug	1.0/2.3 Jack	Straight	75	Bulkhead

BNC to AMC

Part Number	Side 1	Side 2	Orientation	Impedance	Features
031-6109	BNC Jack	AMC Plug	Straight	50	Bulkhead

BNC to BNC

Part Number	Side 1	Side 2	Orientation	Impedance	Features
031-219 (UG-914/U)	BNC Jack	BNC Jack	Straight	50	
031-219-RFX	BNC Jack	BNC Jack	Straight	50	
112446	BNC Jack	BNC Jack	Straight	75	
112443	BNC Jack	BNC Jack	Straight	50	Isolated
112444	BNC Jack	BNC Jack	Straight	75	Isolated
112444-12G	BNC Jack	BNC Jack	Straight	75	Isolated, High-Frequency
031-220N	BNC Jack	BNC Jack	Straight	50	Bulkhead
031-220N-RFX	BNC Jack	BNC Jack	Straight	50	Bulkhead
031-70020	BNC Jack	BNC Jack	Straight	75	Bulkhead
112434	BNC Jack	BNC Jack	Straight	75	Bulkhead
031-220N-75-12G	BNC Jack	BNC Jack	Straight	75	Bulkhead
112712	BNC Jack	BNC Jack	Straight	50	4-Hole Flange
112446-12G	BNC Jack	BNC Jack	Straight	75	High-Frequency
031-4803	BNC Jack	BNC Jack	Straight	50	Isolated, Silver Contact
112438	BNC Jack	BNC Jack	Straight	75	Bulkhead
031-70540-12G	BNC Jack	HD-BNC Plug	Straight	75	
112668	BNC Plug	BNC Jack	Straight	75	
031-9 (UG-306/U)	BNC Plug	BNC Jack	Right Angle	50	
031-9-RFX	BNC Plug	BNC Jack	Right Angle	50	
031-9-75	BNC Plug	BNC Jack	Right Angle	75	
031-9-75-12G	BNC Plug	BNC Jack	Right Angle	75	High-Frequency
031-9-75RFX	BNC Plug	BNC Jack	Right Angle	75	
112667	BNC Plug	BNC Jack	Straight	50	
031-218 (UG-491A/U)	BNC Plug	BNC Plug	Straight	50	
031-218-75RFX	BNC Plug	BNC Plug	Straight	75	
112448	BNC Plug	BNC Plug	Straight	75	
031-218-75RFX-12G	BNC Plug	BNC Plug	Straight	75	High-Frequency
031-218-RFX	BNC Plug	BNC Plug	Straight	50	
112655	BNC Plug	BNC Plug	Right Angle	50	Right Angle
031-70541-12G	BNC Plug	HD-BNC Jack	Straight	75	

COAXIAL ADAPTERS SERIES

BNC to FME

Part Number	Side 1	Side 2	Orientation	Impedance	Features
192104	BNC Plug	FME Plug	Straight	50	

BNC to F-Type

Part Number	Side 1	Side 2	Orientation	Impedance	Features
242161	BNC Jack	F-Type Jack	Straight	75	
242159	BNC Jack	F-Type Plug	Straight	75	
242154	BNC Plug	F-Type Jack	Straight	75	
112532-12-1	BNC Plug	F-Type Jack	Straight	75	Bulkhead
242160	BNC Plug	F-Type Plug	Straight	50	

BNC to HD-BNC

Part Number	Side 1	Side 2	Orientation	Impedance	Features
APH-HD-ISO-BNC	BNC Jack	HD-BNC Jack	Straight	75	Bulkhead, Isolated
APH-BNCJ-HDBNCJ	BNC Jack	HD-BNC Jack	Straight	75	
APH-BNCJ-HDBNCP	BNC Jack	HD-BNC Plug	Straight	75	
APH-BNCP-HDBNCJ	BNC Plug	HD-BNC Jack	Straight	75	
APH-BNCP-HDBNCP	BNC Plug	HD-BNC Plug	Straight	75	

BNC to MCX

Part Number	Side 1	Side 2	Orientation	Impedance	Features
242206	BNC Jack	MCX Jack	Straight	50	
242204	BNC Jack	MCX Plug	Straight	50	
242203	BNC Plug	MCX Jack	Straight	50	
242205	BNC Plug	MCX Plug	Straight	50	

BNC to N-Type

Part Number	Side 1	Side 2	Orientation	Impedance	Features
APH-NJ-BNCJ	BNC Jack	N-Type Jack	Straight	50	
082-6532	BNC Jack	N-Type Jack	Straight	50	Bulkhead, IP67
242162	BNC Jack	N-Type Jack	Straight	50	Bulkhead
242100	BNC Jack	N-Type Jack	Straight	50	
APH-NP-BNCJ	BNC Jack	N-Type Plug	Straight	50	
031-216-RFX	BNC Jack	N-Type Plug	Straight	50	
031-216	BNC Jack	N-Type Plug	Straight	50	
082-5558	BNC Jack	N-Type Plug	Straight	50	
242121	BNC Jack	N-Type Plug	Straight	50	
APH-NJ-BNCP	BNC Plug	N-Type Jack	Straight	50	
031-217-RFX	BNC Plug	N-Type Jack	Straight	50	
031-217	BNC Plug	N-Type Jack	Straight	50	
242101	BNC Plug	N-Type Jack	Straight	50	
APH-NP-BNCP	BNC Plug	N-Type Plug	Straight	50	
242122	BNC Plug	N-Type Plug	Straight	50	

COAXIAL ADAPTERS SERIES

BNC to SMA					
Part Number	Side 1	Side 2	Orientation	Impedance	Features
901-9173	BNC Jack	SMA Jack	Straight	50	Bulkhead
901-167	BNC Jack	SMA Jack	Straight	50	
901-10384	BNC Jack	SMA Jack	Straight	50	Bulkhead, IP67
242181	BNC Jack	SMA Jack	Straight	50	Bulkhead
242123	BNC Jack	SMA Jack	Straight	50	
901-166	BNC Jack	SMA Plug	Straight	50	
242102	BNC Jack	SMA Plug	Straight	50	
901-165	BNC Plug	SMA Jack	Straight	50	
242103	BNC Plug	SMA Jack	Straight	50	
132375	BNC Plug	SMA Jack	Straight	50	Bulkhead
901-164	BNC Plug	SMA Plug	Straight	50	
242104	BNC Plug	SMA Plug	Straight	50	

BNC to SMB					
Part Number	Side 1	Side 2	Orientation	Impedance	Features
242186	BNC Jack	SMA Jack	Straight	50	
242185	BNC Jack	SMA Plug	Straight	50	
242184	BNC Plug	SMA Jack	Straight	50	
242187	BNC Plug	SMA Plug	Straight	50	

BNC to TNC					
Part Number	Side 1	Side 2	Orientation	Impedance	Features
242150	BNC Jack	TNC Jack	Straight	50	
APH-BNCJ-TNCJ	BNC Jack	TNC Jack	Straight	50	
000-79675	BNC Jack	TNC Plug	Straight	50	
242232	BNC Jack	TNC Plug	Right Angle	50	
242149	BNC Jack	TNC Plug	Straight	50	
APH-BNCJ-TNCP	BNC Jack	TNC Plug	Straight	50	
000-79025	BNC Plug	TNC Jack	Straight	50	
242148	BNC Plug	TNC Jack	Straight	50	
242151	BNC Plug	TNC Plug	Straight	50	
APH-BNCP-TNCP	BNC Plug	TNC Plug	Straight	50	

BNC to UHF					
Part Number	Side 1	Side 2	Orientation	Impedance	Features
242165	BNC Jack	UHF Jack	Straight	50	
031-28-RFX	BNC Jack	UHF Plug	Straight	50	
031-28	BNC Jack	UHF Plug	Straight	50	
242164	BNC Jack	UHF Plug	Straight	50	
000-2900	BNC Plug	UHF Jack	Straight	50	
242134	BNC Plug	UHF Jack	Straight	50	

[VIEW ALL BNC ADAPTERS](#)

COAXIAL ADAPTERS SERIES

FAKRA ADAPTERS



FAKRA products are designed specifically for automotive applications according to USCAR standards. This series features color coded housings and mechanical keying to prevent mis-mating and are available in sealed, high-speed and 6 GHz options.

Part Number	Side 1	Side 2	Orientation	Impedance	Features
APH-FKJ-SMAJ	FAKRA Jack	SMA Jack	Straight	50	

[VIEW ALL FAKRA ADAPTERS](#)

FME ADAPTERS



The FME product series offers excellent VSWR performance from DC to 200 MHz. These products are ideal for mobile antenna applications and are primarily used with RG-58 coaxial cables.

Part Number	Side 1	Side 2	Orientation	Impedance	Features
192104	FME Plug	BNC Plug	Straight	50	
192103	FME Plug	FME Plug	Straight	50	
192109	FME Plug	N-Type Plug	Straight	50	
192113	FME Plug	SMA Plug	Straight	50	
192105	FME Plug	TNC Plug	Straight	50	
192110	FME Plug	UHF Plug	Straight	50	

[VIEW ALL FME ADAPTERS](#)

F-TYPE ADAPTERS



The F-Type product series is a high-performance, threaded alternative to the traditional slide-on G-Type connector design. Primary applications for F-Type connectors are cable television (CATV), set top boxes and cable modems.

Part Number	Side 1	Side 2	Orientation	Impedance	Features
242161	F-Type Jack	BNC Jack	Straight	75	
242154	F-Type Jack	BNC Plug	Straight	75	
112532-12-1	F-Type Jack	BNC Plug	Straight	75	Push-On Plug, Bulkhead
531-40008	F-Type Jack	F-Type Jack	Straight	75	
222121	F-Type Jack	F-Type Jack	Straight	75	Bulkhead
222205	F-Type Jack	F-Type Plug	Straight	75	
222157	F-Type Jack	F-Type Plug	Straight	75	Push-On Plug
222F-90	F-Type Jack	F-Type Plug	Right Angle	75	
242120	F-Type Jack	N-Type Jack	Straight	50	
242120-75	F-Type Jack	N-Type Jack	Straight	75	
252156	F-Type Jack	N-Type Plug	Straight	50	
242224	F-Type Jack	SMB Jack	Straight	50	Bulkhead
242215	F-Type Jack	SMB Jack	Straight	75	Bulkhead
242223	F-Type Jack	SMB Plug	Straight	50	Bulkhead
242159	F-Type Plug	BNC Jack	Straight	75	
242160	F-Type Plug	BNC Plug	Straight	50	
222156	F-Type Plug	F-Type Plug	Straight	75	Bulkhead
242152	F-Type Plug	N-Type Jack	Straight	50	
242152-75	F-Type Plug	N-Type Jack	Straight	75	
242157	F-Type Plug	N-Type Plug	Straight	50	

[VIEW ALL F-TYPE ADAPTERS](#)

COAXIAL ADAPTERS SERIES

G-TYPE ADAPTERS



The G-Type product series is a 75 ohm solution ideal for cable television (CATV), set top boxes and cable models. This series is a traditional slide-on alternative to the threaded F-Type connector.

Part Number	Side 1	Side 2	Orientation	Impedance	Features
531-40119	G-Type Plug	G-Type Plug	Straight	75	Bulkhead

[VIEW ALL G-TYPE ADAPTERS](#)

HD-BNC ADAPTERS



The HD-BNC product line features the trusted push and turn interface of a traditional BNC but with a footprint that is 4 times smaller. These products are engineered to enhance electrical and mechanical performance and use the same prep and termination specifications of legacy broadcast connectors.

Part Number	Side 1	Side 2	Orientation	Impedance	Features
031-70541-12G	HD-BNC Jack	BNC Plug	Straight	75	
APH-HD-ISO-1023	HD-BNC Jack	1.0/2.3 Jack	Straight	75	Bulkhead, Isolated
APH-BNCJ-HDBNCJ	HD-BNC Jack	BNC Jack	Straight	75	
APH-HD-ISO-BNC	HD-BNC Jack	BNC Jack	Straight	75	Bulkhead, Isolated
APH-BNCP-HDBNCJ	HD-BNC Jack	BNC Plug	Straight	75	
APH-HD-ISO-HD	HD-BNC Jack	HD-BNC Jack	Straight	75	Bulkhead, Isolated
APH-HDBNCJ-J	HD-BNC Jack	HD-BNC Jack	Straight	75	
034-1109-12G	HD-BNC Jack	HD-BNC Jack	Straight	75	Bulkhead
034-1110-12G	HD-BNC Jack	HD-BNC Jack	Straight	75	Bulkhead, Isolated
034-1112-12G	HD-BNC Jack	HD-BNC Jack	Right-Angle	75	
APH-HDBNCP-J	HD-BNC Jack	HD-BNC Plug	Straight	75	
031-1111-12G	HD-BNC Jack	HD-BNC Plug	Straight	75	
APH-NJ-HDBNCJ	HD-BNC Jack	N-Type Jack	Straight	75	
APH-NP-HDBNCJ	HD-BNC Jack	N-Type Plug	Straight	75	
APH-HDBNCJ-SMAJ	HD-BNC Jack	SMA Jack	Straight	50	
031-70540-12G	HD-BNC Plug	BNC Jack	Straight	75	
APH-BNCJ-HDBNCP	HD-BNC Plug	BNC Jack	Straight	75	
APH-BNCP-HDBNCP	HD-BNC Plug	BNC Plug	Straight	75	
034-1113-12G	HD-BNC Plug	HD-BNC Plug	Straight	75	
APH-NJ-HDBNCP	HD-BNC Plug	N-Type Jack	Straight	75	
APH-NP-HDBNCP	HD-BNC Plug	N-Type Plug	Straight	75	
APH-HDBNCP-SMAJ	HD-BNC Plug	SMA Jack	Straight	50	
APH-HDBNCP-SMAP	HD-BNC Plug	SMA Plug	Straight	50	

[VIEW ALL HD-BNC ADAPTERS](#)

HD-EFI ADAPTERS



The HD-EFI product series is a micro-miniature board-to-board solutions designed to allow large board tolerance stack ups, blind mating, and multiple RF lines. HD-EFI interconnects are available in a variety of configurations and has a generous “float” to compensate for radial and axial misalignment. The HD-EFI is ideal for high-performance applications with a small package size.

Part Number	Side 1	Side 2	Orientation	Impedance	Features
920-505A-51S	HD-EFI Plug	HD-EFI Plug	Straight	50	
920-506A-51S	HD-EFI Plug	HD-EFI Plug	Straight	50	
920-509A-51S	HD-EFI Plug	HD-EFI Plug	Straight	50	
AD-SMAJHDEFIP-1	HD-EFI Plug	SMA Plug	Straight	50	
AD-SMAJHDEFIJ-1	HD-EFI Plug	SMA Jack	Straight	50	

[VIEW ALL HD-EFI ADAPTERS](#)

COAXIAL ADAPTERS SERIES

HN-TYPE ADAPTERS



The HN-Type product line features medium sized, weatherproof units designed for high voltage applications. These products are designed with a captivated contact to prevent contact recession under extreme temperatures and mechanical stresses.

Part Number	Side 1	Side 2	Orientation	Impedance	Features
000-11050 (UG-1019/U)	HN-Type Jack	HN-Type Jack	Straight	50	
000-16075	HN-Type Jack	N-Type Plug	Straight	50	
000-16050	HN-Type Plug	N-Type Jack	Straight	50	

[VIEW ALL HN-TYPE ADAPTERS](#)

MCX ADAPTERS



The MCX (Micro Coaxial) series is a 50 ohm series with broadband capabilities ranging from DC to 6 GHz. This series features secure, fast and easy snap-on/snap-off coupling and are ideal for applications where weight and physical space are limited.

Part Number	Side 1	Side 2	Orientation	Impedance	Features
242206	MCX Jack	BNC Jack	Straight	50	
242203	MCX Jack	BNC Plug	Straight	50	
252171	MCX Jack	MCX Jack	Straight	50	Bulkhead
252169	MCX Jack	MCX Jack	Straight	50	
242172	MCX Jack	N-Type Jack	Straight	50	
242170	MCX Jack	N-Type Plug	Straight	50	
242129	MCX Jack	SMA Jack	Straight	50	
242126	MCX Jack	SMA Plug	Straight	50	
242208	MCX Jack	TNC Plug	Straight	50	
242204	MCX Plug	BNC Jack	Straight	50	
242205	MCX Plug	BNC Plug	Straight	50	
242171	MCX Plug	N-Type Jack	Straight	50	
APH-SMAJ-MCXP	MCX Plug	SMA Jack	Straight	50	
242234	MCX Plug	SMA Jack	Straight	50	2-Hole Flange
242127	MCX Plug	SMA Jack	Straight	50	
242128	MCX Plug	SMA Plug	Straight	50	
242210	MCX Plug	TNC Plug	Straight	50	

[VIEW ALL MCX ADAPTERS](#)

MHV ADAPTERS



The MHV product series features bayonet locking interconnects used for high voltage applications up to 5000 volts. These products offer a quick-connect functionality that is used where transmission of high voltage is required.

Part Number	Side 1	Side 2	Orientation	Impedance	Features
000-12650	MHV Jack	MHV Jack	Straight	Non-Constant	4-Hole Flange

[VIEW ALL MHV ADAPTERS](#)

MINI-SMB ADAPTERS



Amphenol RF's Mini-SMB connector family provides broadband capabilities up to 2 GHz. Their simple snap-on design offers a quick connect/disconnect and utilizes die cast components in non-critical areas to provide a low cost solution. These products also feature reduced housing which allows for circuit miniaturization and efficient space utilization.

Part Number	Side 1	Side 2	Orientation	Impedance	Features
142249-75	Mini-SMB Jack	Mini-SMB Jack	Straight	75	Bulkhead

[VIEW ALL MINI-SMB ADAPTERS](#)

COAXIAL ADAPTERS SERIES

MINI-UHF ADAPTERS



Miniature versions of UHF connectors, Mini-UHF connectors are designed for applications where size, weight, and cost factors are critical. With a miniature 3/8-24 thread size, these connectors provides excellent RF performance for applications up to 2.5 GHz. Connectors in this series terminate are available as crimp-type cable plugs and jacks, terminating to various cable types, and as panel and printed circuit board receptacles.

Part Number	Side 1	Side 2	Orientation	Impedance	Features
242119	Mini-UHF Jack	SMA Jack	Straight	50	Bulkhead
242116	Mini-UHF Jack	SMA Plug	Straight	50	
242197	Mini-UHF Jack	TNC Plug	Straight	50	
242117	Mini-UHF Plug	SMA Jack	Straight	50	
242242	Mini-UHF Plug	TNC Jack	Straight	50	
242153	Mini-UHF Plug	TNC Jack	Straight	50	

[VIEW ALL MINI-UHF ADAPTERS](#)

MMCX ADAPTERS



The MMCX (Micro-Miniature Coaxial) product series is a micro-miniature version of the MCX. It has all the same features and benefits of the traditional MCX, but with a smaller footprint.

Part Number	Side 1	Side 2	Orientation	Impedance	Features
242225	MMCX Jack	AMC Jack	Straight	50	
262130	MMCX Jack	MMCX Jack	Straight	50	Bulkhead
262129	MMCX Jack	MMCX Jack	Straight	50	
262136	MMCX Jack	MMCX Plug	Straight	50	
242168	MMCX Jack	N-Type Jack	Straight	50	
242166	MMCX Jack	N-Type Plug	Straight	50	
242237	MMCX Jack	SMA Jack	Straight	50	Bulkhead
242143	MMCX Jack	SMA Jack	Straight	50	
242140	MMCX Jack	SMA Plug	Straight	50	
242169	MMCX Plug	N-Type Plug	Straight	50	
242141RP	MMCX Plug	RP-SMA Jack	Straight	50	
242193	MMCX Plug	SMA Jack	Straight	50	Bulkhead
242141	MMCX Plug	SMA Jack	Straight	50	
242142	MMCX Plug	SMA Plug	Straight	50	

[VIEW ALL MMCX ADAPTERS](#)

N-TYPE ADAPTERS



The N-Type product series is a durable, medium sized, weatherproof solution for military, industrial and commercial applications. The threaded coupling mechanism featured on all N-Type products is ideal for vibration resistance.

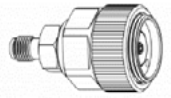
Part Number	Side 1	Side 2	Orientation	Impedance	Features
082-101 (UG-29B/U)	N-Type Jack	N-Type Jack	Straight	50	
172123	N-Type Jack	N-Type Jack	Straight	50	
082-6348	N-Type Jack	N-Type Jack	Straight	50	Bulkhead
082-66 (UG-30/U)	N-Type Jack	N-Type Jack	Straight	50	Bulkhead, IP67
082-66-RFX	N-Type Jack	N-Type Jack	Straight	50	Bulkhead
172124	N-Type Jack	N-Type Jack	Straight	50	Bulkhead
172278-10	N-Type Jack	N-Type Jack	Straight	50	4-Hole Flange

COAXIAL ADAPTERS SERIES

Part Number	Side 1	Side 2	Orientation	Impedance	Features
172276	N-Type Jack	N-Type Plug	Straight	50	
172336	N-Type Jack	N-Type Plug	Straight	50	Bulkhead
172126	N-Type Jack	N-Type Plug	Right Angle	50	
082-64 (UG-27A/U)	N-Type Jack	N-Type Plug	Right Angle	50	
172212RP	N-Type Jack	N-Type Plug	Straight	50	Reverse Polarity
082-100 (UG-57B/U)	N-Type Plug	N-Type Plug	Straight	50	
172122	N-Type Plug	N-Type Plug	Straight	50	
172261	N-Type Plug	N-Type Plug	Right Angle	50	

[VIEW ALL N-TYPE ADAPTERS](#)

PRECISION ADAPTERS



Industry-leading float results in a maximum misalignment allowed by the system of .030" [0.8 mm] radial and .040" [1.0 mm] axial. Available in two configurations: 75 Ω with a performance of DC to 3 GHz and 50 ff with a performance of DC to 6 GHz.

Part Number	Side 1	Side 2	Orientation	Impedance	Features
131-7020	APC-N Jack	3.5mm Jack	Straight	50	
131-7018	APC-N Plug	3.5mm Jack	Straight	50	
131-91046	APC-7	3.5mm Jack	Straight	50	

[VIEW ALL PRECISION ADAPTERS](#)

PSMP ADAPTERS



The PSMP product series is a board-to-board solution ideal for blind mate applications requiring high power. With a minimum board spacing of 12.6 mm, the three-piece design allows maximum flexibility for high-density board spacing.

Part Number	Side 1	Side 2	Orientation	Impedance	Features
PSMP-FSBA-2580	PSMP Plug	PSMP Plug	Straight	50	
PSMP-FSBA-2380	PSMP Plug	PSMP Plug	Straight	50	
PSMP-FSBA-1970	PSMP Plug	PSMP Plug	Straight	50	
PSMP-FSBA-1755	PSMP Plug	PSMP Plug	Straight	50	
PSMP-FSBA-1175	PSMP Plug	PSMP Plug	Straight	50	
PSMP-FSBA-1042	PSMP Plug	PSMP Plug	Straight	50	
PSMP-FSBA-1000	PSMP Plug	PSMP Plug	Straight	50	

[VIEW ALL PSMP ADAPTERS](#)

QMA ADAPTERS



The QMA product series is a quick disconnect version of the SMA connector with the same internal construction. These products are ideal for applications requiring high power handling capabilities.

Part Number	Side 1	Side 2	Orientation	Impedance	Featur
242262	QMA Jack	SMA Jack	Straight	50	
930-100A-51S	QMA Jack	SMA Jack	Straight	50	
242263	QMA Jack	SMA Plug	Straight	50	
242261	QMA Plug	SMA Jack	Straight	50	
930-101A-51S	QMA Plug	SMA Jack	Straight	50	
242260	QMA Plug	SMA Plug	Straight	50	

[VIEW ALL QMA ADAPTERS](#)

COAXIAL ADAPTERS SERIES

RP-N TYPE ADAPTERS



The N-Type product series is a durable, medium sized, weatherproof solution for military, industrial and commercial applications. The threaded coupling mechanism featured on all N-Type products is ideal for vibration resistance. N-Type interconnects are produced in standard and reverse polarity.

Part Number	Side 1	Side 2	Orientation	Impedance	Features
172213RP	RP-N-Type Jack	N-Type Plug	Straight	50	Bulkhead
172212RP	RP-N-Type Plug	N-Type Plug	Straight	50	
172193RP-RP	RP-N-Type Plug	RP-N-Type Jack	Right Angle	50	

[VIEW ALL RP-N TYPE ADAPTERS](#)

RP-SMA ADAPTERS



The SMA product series is designed using a threaded interface and provides excellent electrical performance from DC to 26.5 GHz, along with outstanding mechanical durability. SMA interconnects offer a precise and simple means of phase adjustment for microwave devices. The products are available in standard and reverse polarity.

Part Number	Side 1	Side 2	Orientation	Impedance	Features
242201RP	RP-SMA Jack	AMC Jack	Straight	50	Bulkhead
242141RP	RP-SMA Jack	MMCX Jack	Straight	50	
242115RP	RP-SMA Jack	N-Type Jack	Straight	50	
242113RP	RP-SMA Jack	N-Type Plug	Straight	50	
132169RP-RP	RP-SMA Jack	RP-SMA Jack	Straight	50	
132170-10RP-RP	RP-SMA Jack	RP-SMA Jack	Straight	50	Bulkhead
132171RP-RP	RP-SMA Jack	RP-SMA Plug	Straight	50	
132172RP-RP	RP-SMA Jack	RP-SMA Plug	Right Angle	50	
132170RP	RP-SMA Jack	SMA Jack	Straight	50	Bulkhead
132169RP	RP-SMA Jack	SMA Jack	Straight	50	
132172RP	RP-SMA Jack	SMA Plug	Right Angle	50	
132171RP	RP-SMA Jack	SMA Plug	Straight	50	
242112RP	RP-SMA Plug	N-Type Jack	Straight	50	
242114RP	RP-SMA Plug	N-Type Plug	Straight	50	
132171RP-10	RP-SMA Plug	SMA Jack	Straight	50	
132168RP	RP-SMA Plug	SMA Plug	Straight	50	

[VIEW ALL RP-SMA ADAPTERS](#)

RP-SMB ADAPTERS



The SMB product series features a snap-on coupling mechanism and is available in 50 and 75 ohm configurations. These interconnects offer broadband performance with low reflection from DC to 4 GHz and utilize die cast components on non-critical areas to provide a low cost solution. SMB products are engineered in both standard and reverse polarity.

Part Number	Side 1	Side 2	Orientation	Impedance	Features
242145RP	RP-SMB Plug	SMA Jack	Straight	50	

[VIEW ALL RP-SMB ADAPTERS](#)

COAXIAL ADAPTERS SERIES

RP-TNC ADAPTERS



The TNC product series features a micro-miniature, threaded and waterproof design. The durable construction makes them ideal for vibration intense applications. TNC interconnects are produced with standard and reverse polarity.

Part Number	Side 1	Side 2	Orientation	Impedance	Features
242192RP	RP-TNC Jack	AMC Jack	Straight	50	Bulkhead
031-6112	RP-TNC Jack	AMC Plug	Straight	50	Bulkhead
031-6101	RP-TNC Jack	AMC Plug	Straight	50	2-Hole Flange
242132RP	RP-TNC Jack	N-Type Jack	Straight	50	
242130RP	RP-TNC Jack	N-Type Plug	Straight	50	
122352RP-RP	RP-TNC Jack	RP-TNC Plug	Right Angle	50	
242107RP	RP-TNC Jack	SMA Jack	Straight	50	
242124RP	RP-TNC Jack	SMA Plug	Straight	50	
122498RP-10	RP-TNC Jack	TNC Plug	Straight	50	
242131RP	RP-TNC Plug	N-Type Jack	Straight	50	
242133RP	RP-TNC Plug	N-Type Plug	Straight	50	
242105RP-10	RP-TNC Plug	SMA Jack	Straight	50	
242105RP	RP-TNC Plug	SMA Jack	Straight	50	
242106RP	RP-TNC Plug	SMA Plug	Straight	50	
122498RP	RP-TNC Plug	TNC Jack	Straight	50	
122458RP-RP	RP-TNC Jack	TNC RP-Jack	Straight	50	Bulkhead

[VIEW ALL RP-TNC ADAPTERS](#)

SMA ADAPTERS



The SMA product series is designed using a threaded interface and provides excellent electrical performance from DC to 26.5 GHz, along with outstanding mechanical durability. SMA interconnects offer a precise and simple means of phase adjustment for microwave devices.

SMA to 1.0/2.3

Part Number	Side 1	Side 2	Orientation	Impedance	Features
242179	SMA Jack	1.0/2.3 Plug	Straight	50	
242207	SMA Plug	1.0/2.3 Jack	Straight	50	
901-10005	SMA Plug	1.0/2.3 Jack	Straight	50	

SMA to 4.3/10

Part Number	Side 1	Side 2	Orientation	Impedance	Features
AD-4310PSMAJ-1	SMA Jack	4.3/10 Plug	Straight	50	
AD-4310JSMAP-1	SMA Plug	4.3/10 Jack	Straight	50	

SMA to 7/16

Part Number	Side 1	Side 2	Orientation	Impedance	Features
242266	SMA Plug	7/16 Jack	Straight	50	

SMA to AFI

Part Number	Side 1	Side 2	Orientation	Impedance	Features
APH-SMAF-AFIF	SMA Jack	AFI Jack	Straight	50	
APH-SMAF-AFIM	SMA Jack	AFI Plug	Straight	50	
APH-SMAP-AFIF	SMA Plug	AFI Jack	Straight	50	

COAXIAL ADAPTERS SERIES

SMA to AMC					
Part Number	Side 1	Side 2	Orientation	Impedance	Features
242201	SMA Jack	AMC Jack	Straight	50	Bulkhead
901-10097	SMA Jack	AMC Plug	Straight	50	Bulkhead
901-10175	SMA Jack	AMC Plug	Straight	50	Bulkhead
242212	SMA Plug	AMC Jack	Straight	50	

SMA to BNC					
Part Number	Side 1	Side 2	Orientation	Impedance	Features
242123	SMA Jack	BNC Jack	Straight	50	
242181	SMA Jack	BNC Jack	Straight	50	Bulkhead
242181-10	SMA Jack	BNC Jack	Straight	50	Bulkhead
901-10384	SMA Jack	BNC Jack	Straight	50	Bulkhead, IP67
901-167	SMA Jack	BNC Jack	Straight	50	
901-9173	SMA Jack	BNC Jack	Straight	50	Bulkhead
132375	SMA Jack	BNC Plug	Straight	50	Bulkhead
242103	SMA Jack	BNC Plug	Straight	50	
901-165	SMA Jack	BNC Plug	Straight	50	
242102	SMA Jack	BNC Jack	Straight	50	
901-166	SMA Plug	BNC Jack	Straight	50	
242104	SMA Plug	BNC Plug	Straight	50	
901-164	SMA Plug	BNC Plug	Straight	50	

SMA to FAKRA					
Part Number	Side 1	Side 2	Orientation	Impedance	Features
APH-FKJ-SMAJ	SMA Jack	FAKRA Jack	Straight	50	

SMA to FME					
Part Number	Side 1	Side 2	Orientation	Impedance	Features
192113	SMA Plug	FME Plug	Straight	50	

SMA to HD-BNC					
Part Number	Side 1	Side 2	Orientation	Impedance	Features
APH-HDBNCJ-SMAJ	SMA Jack	HD-BNC Jack	Straight	50	
APH-HDBNCP-SMAJ	SMA Jack	HD-BNC Plug	Straight	50	
APH-HDBNCP-SMAP	SMA Plug	HD-BNC Plug	Straight	50	

SMA to MCX					
Part Number	Side 1	Side 2	Orientation	Impedance	Features
242129	SMA Jack	MCX Jack	Straight	50	
242127	SMA Jack	MCX Plug	Straight	50	
242234	SMA Jack	MCX Plug	Straight	50	2-Hole Flange
APH-SMAJ-MCXP	SMA Jack	MCX Plug	Straight	50	
242126	SMA Plug	MCX Jack	Straight	50	
242128	SMA Plug	MCX Plug	Straight	50	

SMA to Mini-UHF

Part Number	Side 1	Side 2	Orientation	Impedance	Features
242119	SMA Jack	Mini-UHF Jack	Straight	50	
242117	SMA Jack	Mini-UHF Plug	Straight	50	
242116	SMA Plug	Mini-UHF Jack	Straight	50	

SMA to MMCX

Part Number	Side 1	Side 2	Orientation	Impedance	Features
242143	SMA Jack	MMCX Jack	Straight	50	
242237	SMA Jack	MMCX Jack	Straight	50	Bulkhead
242141	SMA Jack	MMCX Plug	Straight	50	
242193	SMA Jack	MMCX Plug	Straight	50	Bulkhead
242140	SMA Plug	MMCX Jack	Straight	50	
242142	SMA Plug	MMCX Plug	Straight	50	

SMA to N-Type

Part Number	Side 1	Side 2	Orientation	Impedance	Features
242115	SMA Jack	N-Type Jack	Straight	50	
242125	SMA Jack	N-Type Jack	Straight	50	
242125-10	SMA Jack	N-Type Jack	Straight	50	
242163	SMA Jack	N-Type Jack	Straight	50	
901-3143-1000	SMA Jack	N-Type Jack	Straight	50	
901-9720	SMA Jack	N-Type Jack	Straight	50	
APH-SMAJ-NJ	SMA Jack	N-Type Jack	Straight	50	
242113	SMA Jack	N-Type Plug	Straight	50	
901-294	SMA Plug	N-Type Plug	Straight	50	
242112	SMA Plug	N-Type Jack	Straight	50	
242265	SMA Plug	N-Type Jack	Straight	50	
901-293	SMA Plug	N-Type Jack	Straight	50	
APH-SMAP-NJ	SMA Plug	N-Type Jack	Straight	50	
242114	SMA Plug	N-Type Plug	Straight	50	

SMA to QMA

Part Number	Side 1	Side 2	Orientation	Impedance	Features
242262	SMA Jack	QMA Jack	Straight	50	
930-100A-51S	SMA Jack	QMA Jack	Straight	50	Bulkhead
242261	SMA Jack	QMA Plug	Straight	50	Bulkhead, IP68
930-101A-51S	SMA Jack	QMA Plug	Straight	50	4-Hole Flange
242263	SMA Plug	QMA Plug	Straight	50	
242260	SMA Plug	QMA Plug	Straight	50	4-Hole Flange

SMA to RP-SMA

Part Number	Side 1	Side 2	Orientation	Impedance	Features
132169RP	SMA Jack	RP-SMA Jack	Straight	50	
132170RP	SMA Jack	RP-SMA Jack	Straight	50	Bulkhead
132171RP	SMA Plug	RP-SMA Jack	Straight	50	
132172RP	SMA Plug	RP-SMA Jack	Straight	50	
132168RP	SMA Plug	RP-SMA Plug	Straight	50	

COAXIAL ADAPTERS SERIES

SMA to RP-SMB

Part Number	Side 1	Side 2	Orientation	Impedance	Features
242145RP	SMA Jack	RP-SMB Plug	Straight	50	

SMA to RP-TNC

Part Number	Side 1	Side 2	Orientation	Impedance	Features
242107RP	SMA Jack	RP-TNC Jack	Straight	50	
242105RP	SMA Jack	RP-TNC Plug	Straight	50	
242105RP-10	SMA Jack	RP-TNC Plug	Straight	50	
242124RP	SMA Plug	RP-TNC Jack	Straight	50	
242106RP	SMA Plug	RP-TNC Plug	Straight	50	

SMA to SMA

Part Number	Side 1	Side 2	Orientation	Impedance	Features
132169	SMA Jack	SMA Jack	Straight	50	
132169SS	SMA Jack	SMA Jack	Straight	50	Stainless Steel
132170	SMA Jack	SMA Jack	Straight	50	Bulkhead
132170-12SS	SMA Jack	SMA Jack	Straight	50	Bulkhead, IP68, Stainless Steel
132274	SMA Jack	SMA Jack	Right Angle	50	
132340	SMA Jack	SMA Jack	Straight	50	4-Hole Flange
132171	SMA Jack	SMA Plug	Straight	50	
132172	SMA Jack	SMA Plug	Right Angle	50	
901-9216	SMA Jack	SMA Plug	Straight	50	Stainless Steel
901-9219-ASF	SMA Jack	SMA Plug	Right Angle	50	Stainless Steel
132168	SMA Plug	SMA Plug	Straight	50	
901-9218	SMA Plug	SMA Plug	Straight	50	Stainless Steel
132339	SMA Plug	SMA Plug	Right Angle	50	

SMA to SMB

Part Number	Side 1	Side 2	Orientation	Impedance	Features
242147	SMA Jack	SMB Jack	Straight	50	
242182	SMA Jack	SMB Jack	Straight	50	Bulkhead
242145	SMA Jack	SMB Plug	Straight	50	
901-9034	SMA Jack	SMB Plug	Straight	50	
242144	SMA Plug	SMB Jack	Straight	50	
242146	SMA Plug	SMB Plug	Straight	50	

SMA to SMC

Part Number	Side 1	Side 2	Orientation	Impedance	Features
242176	SMA Jack	SMB Jack	Straight	50	
242175	SMA Jack	SMB Plug	Straight	50	Bulkhead
242174	SMA Plug	SMB Jack	Straight	50	
242177	SMA Plug	SMB Plug	Straight	50	

SMA to SMP

Part Number	Side 1	Side 2	Orientation	Impedance	Features
AD-SMAPSMPJ-1	SMA Plug	SMB Jack	Straight	50	

COAXIAL ADAPTERS SERIES

SMA to SSMA

Part Number	Side 1	Side 2	Orientation	Impedance	Features
242189	SMA Plug	SSMA Jack	Straight	50	

SMA to SSMB

Part Number	Side 1	Side 2	Orientation	Impedance	Features
242200	SMA Plug	SSMA Jack	Straight	50	

SMA to N-Type

Part Number	Side 1	Side 2	Orientation	Impedance	Features
242107	SMA Jack	TNC Jack	Straight	50	
242178	SMA Jack	TNC Jack	Straight	50	
242178-10	SMA Jack	TNC Jack	Straight	50	IP68
901-171	SMA Jack	TNC Jack	Straight	50	
901-280	SMA Jack	TNC Jack	Straight	50	
242105	SMA Jack	TNC Plug	Straight	50	
APH-SMAJ-TNCP	SMA Jack	TNC Plug	Straight	50	
242124	SMA Plug	TNC Jack	Straight	50	
APH-SMAP-TNCJ	SMA Plug	TNC Jack	Straight	50	
242106	SMA Plug	TNC Plug	Straight	50	
901-168	SMA Plug	TNC Plug	Straight	50	

SMA to UHF

Part Number	Side 1	Side 2	Orientation	Impedance	Features
242111	SMA Jack	UHF Jack	Straight	50	
242109	SMA Jack	UHF Plug	Straight	50	
242108	SMA Plug	UHF Plug	Straight	50	
242110	SMA Plug	UHF Jack	Straight	50	

[VIEW ALL SMA ADAPTERS](#)

SMB ADAPTERS



The SMB product series features a snap-on coupling mechanism and is available in 50 and 75 ohm configurations. These interconnects offer broadband performance with low reflection from DC to 4 GHz and utilize die cast components on non-critical areas to provide a low cost solution.

Part Number	Side 1	Side 2	Orientation	Impedance	Features
242186	SMA Jack	BNC Jack	Straight	50	
242184	SMB Jack	BNC Plug	Straight	50	
242224	SMB Jack	F-Type Jack	Straight	50	Bulkhead
242198	SMB Jack	N-Type Jack	Straight	50	4-Hole Flange
242183	SMB Jack	N-Type Jack	Straight	50	Bulkhead
242182	SMB Jack	SMA Jack	Straight	50	Bulkhead
242147	SMB Jack	SMA Jack	Straight	50	
242144	SMB Jack	SMA Plug	Straight	50	
142250	SMB Jack	SMA Jack	Straight	50	Bulkhead
142244	SMB Jack	SMA Jack	Straight	50	
142310	SMB Jack	SMB Plug	Straight	50	
142248	SMB Jack	SMB Plug	Right Angle	50	
242185	SMB Plug	BNC Jack	Straight	50	

COAXIAL ADAPTERS SERIES

Part Number	Side 1	Side 2	Orientation	Impedance	Features
242187	SMB Plug	BNC Plug	Straight	50	
242223	SMB Plug	F-Type Jack	Straight	50	Bulkhead
242145	SMB Plug	SMA Jack	Straight	50	
901-9034	SMB Plug	SMA Jack	Straight	50	
242146	SMB Plug	SMB Plug	Straight	50	
142246	SMB Plug	SMB Plug	Straight	50	
142245	SMB Plug	SMB Plug	Straight	50	
242202	SMB Plug	SMC Jack	Straight	50	
242228	SMB Plug	SMB Plug	Straight	50	

[VIEW ALL SMB ADAPTERS](#)

SMB ADAPTERS



The SMB interface features a threaded coupling mechanism and it available in 50 and 75 ohm configurations. These interconnects offer broadband performance with low reflection from DC to 10 GHz. They are ideal for telecommunications and instrumentation applications.

Part Number	Side 1	Side 2	Orientation	Impedance	Features
242176	SMC Jack	SMA Jack	Straight	50	
242174	SMC Jack	SMA Plug	Straight	50	
242202	SMC Jack	SMB Plug	Straight	50	
152145	SMC Jack	SMC Jack	Straight	50	Bulkhead
242175	SMC Plug	SMA Jack	Straight	50	
242177	SMC Plug	SMA Plug	Straight	50	
242228	SMC Plug	SMB Plug	Straight	50	

[VIEW ALL SMC ADAPTERS](#)

SMP ADAPTERS



The SMP product series features a subminiature interface in the same scale as the MMCX but with a frequency range of DC to 40 GHz. These interconnects are available in multiple configurations with both push-on and snap-on mating styles. The product family can be utilized as a highly shielded interconnect for high data rate applications for in a board-to-board system using a floating bullet which compensates for radial and axial misalignment.

Part Number	Side 1	Side 2	Orientation	Impedance	Features
AD-SMAPSMPJ-1	SMP Jack	SMA Plug	Straight	50	
SMP-FSBA-990	SMP Plug	SMP Plug	Straight	50	
SMP-FSBA-739	SMP Plug	SMP Plug	Straight	50	
SMP-FSBA-696	SMP Plug	SMP Plug	Straight	50	
SMP-FSBA-645	SMP Plug	SMP Plug	Straight	50	
SMP-FSBA-594	SMP Plug	SMP Plug	Straight	50	
SMP-FSBA-254	SMP Plug	SMP Plug	Straight	50	
SMP-FSBA-224	SMP Plug	SMP Plug	Straight	50	
SMP-FSBA-145	SMP Plug	SMP Plug	Straight	50	
SMP-FSBA-093	SMP Plug	SMP Plug	Straight	50	
SMP-FSBA-090	SMP Plug	SMP Plug	Straight	50	

[VIEW ALL SMP ADAPTERS](#)

COAXIAL ADAPTERS SERIES

SMPM ADAPTERS



The SMPM product series features a micro-miniature interface with excellent electrical performance up to 65 GHz. SMPM interconnects are commonly used in miniaturized high frequency coaxial modules and are available in a variety of configurations and termination styles.

Part Number	Side 1	Side 2	Orientation	Impedance	Features
925-165A-51S	SMPM Plug	SMPM Plug	Straight	50	
925-142A-51S	SMPM Plug	SMPM Plug	Straight	50	
925-141A-51S	SMPM Plug	SMPM Plug	Straight	50	Bulkhead
925-106A-51S	SMPM Plug	SMPM Plug	Straight	50	4-Hole Flange
925-166A-51S	SMPM Plug	SMPM Plug	Straight	50	Bulkhead
925-167A-51S	SMPM Plug	SMPM Plug	Straight	50	Bulkhead

[VIEW ALL SMPM ADAPTERS](#)

SSMA ADAPTERS

The SSMA product series is designed with a threaded coupling mechanism and is essentially a scaled down version of the SMA. SSMA interconnects are characterized by their compactness, high frequency bandwidth and reliable mechanical performance.

Part Number	Side 1	Side 2	Orientation	Impedance	Features
242189	SSMA Jack	SMA Plug	Straight	50	

[VIEW ALL SSMA ADAPTERS](#)

SSMB ADAPTERS

The SSMB product series is a smaller version of the standard SMB connector. This interface provides excellent electrical performance with a micro-miniature footprint. The compact design makes it ideal for applications with space constraints.

Part Number	Side 1	Side 2	Orientation	Impedance	Features
242200	SSMB Jack	SMA Plug	Straight	50	
242200-10	SSMB Jack	SMA Plug	Straight	50	

[VIEW ALL SSMB ADAPTERS](#)

TNC ADAPTERS



The TNC product series features a micro-miniature, threaded and waterproof design. The durable construction makes them ideal for vibration intense applications.

Part Number	Side 1	Side 2	Orientation	Impedance	Features
122348	TNC Jack	TNC Jack	Straight	50	
122346	TNC Jack	TNC Jack	Straight	50	Isolated, Bulkhead
122347	TNC Jack	TNC Jack	Straight	75	Isolated, Bulkhead
122430	TNC Jack	TNC Jack	Straight	50	Bulkhead
031-6200	TNC Jack	TNC Jack	Straight	75	Bulkhead
122491	TNC Jack	TNC Jack	Straight	50	4-Hole Flange
122348RP	TNC Jack	TNC RP-Jack	Straight	50	
122498RP	TNC Jack	TNC RP-Plug	Straight	50	
122352	TNC Plug	TNC Jack	Right Angle	50	
122350	TNC Plug	TNC Plug	Straight	50	
122498	TNC Plug	TNC Jack	Straight	50	
122498-75	TNC Plug	TNC Jack	Straight	75	
122350RP	TNC Plug	TNC RP-Plug	Straight	50	

[VIEW ALL TNC ADAPTERS](#)

COAXIAL ADAPTERS SERIES

TRIAX ADAPTERS



Triax interconnects are ideal for applications where maximum RF shielding and minimum noise radiation is required. They are designed for harsh environments with high temperature, and can be tested and approved for use in nuclear reactor chambers.

Part Number	Side 1	Side 2	Orientation	Impedance	Features
031-8356-2	Triax Jack	Triax Jack	Straight	Non-Constant	Bulkhead
000-53225	Triax Jack	Triax Jack	Straight	Non-Constant	Bulkhead

[VIEW ALL TRIAX ADAPTERS](#)

TWINAX ADAPTERS



Twinax interconnects are designed with improved shielding characteristics and are primarily used in balanced low level and high sensitivity circuits. These products feature a keyway polarization to ensure system integrity and prevent signals from being mixed, making them ideal for computer network applications.

Part Number	Side 1	Side 2	Orientation	Impedance	Features
082-5588-RFX	Twinax Jack	Twinax Jack	Straight	Non-Constant	
000-7925-RFX	Twinax Jack	Twinax Jack	Straight	Non-Constant	Bulkhead

[VIEW ALL TWINAX ADAPTERS](#)

UHF ADAPTERS



The UHF product series features general purpose units developed for use in low frequency systems. UHF interconnects are designed with a threaded coupling mechanism and solderable screw-on termination feature which requires no specialized crimping tools.

Part Number	Side 1	Side 2	Orientation	Impedance	Features
242165	UHF Jack	BNC Jack	Straight	Non-Constant	
242134	UHF Jack	BNC Plug	Straight	Non-Constant	Bulkhead
000-2900 (UG-255/U)	UHF Jack	BNC Plug	Straight	50	
242153	UHF Jack	Mini-UHF Plug	Straight	50	
242155	UHF Jack	N-Type Plug	Straight	50	
000-34125 (UG-83B/U)	UHF Jack	N-Type Plug	Straight	50	
000-4400 (UG-146/U)	UHF Jack	N-Type Plug	Straight	50	
242111	UHF Jack	SMA Jack	Straight	50	
242108	UHF Jack	SMA Plug	Straight	50	
182319	UHF Jack	UHF Jack	Straight	50	Bulkhead
182109	UHF Jack	UHF Jack	Straight	50	
083-1J-RFX	UHF Jack	UHF Jack	Straight	Non-Constant	
083-1J	UHF Jack	UHF Jack	Straight	Non-Constant	
083-1F (UG-363/U)	UHF Jack	UHF Jack	Straight	Non-Constant	
182134	UHF Jack	UHF Plug	Right Angle	50	
083-1AP	UHF Jack	UHF Plug	Right Angle	Non-Constant	
242164	UHF Plug	BNC Jack	Straight	50	
031-28-RFX	UHF Plug	BNC Jack	Straight	50	
031-28 (UG-273/U)	UHF Plug	BNC Jack	Straight	50	
192110	UHF Plug	FME Plug	Straight	50	
000-14000 (UG-83/U)	UHF Plug	N-Type Jack	Straight	Non-Constant	
242109	UHF Plug	SMA Jack	Straight	50	
242110	UHF Plug	SMA Plug	Straight	50	
242241	UHF Plug	TNC Jack	Straight	50	
083-877	UHF Plug	UHF Plug	Straight	Non-Constant	

[VIEW ALL UHF ADAPTERS](#)

COAXIAL ADAPTERS SERIES

TEE-ADAPTERS



Tee Adapters allow for three RF interfaces to be connected together.

Part Number	Tee-adapter Type	Tee-adapter Gender	Impedance	Features
000-17450	BNC	Jack-Jack-Jack	50	
112455	BNC	Jack-Jack-Jack	50	
112456	BNC	Jack-Jack-Jack	75	
000-21900	BNC	Jack-Jack-Plug	50	
112590	BNC	Jack-Jack-Plug	50	
031-208 (UG-274A/U)	BNC	Jack-Jack-Jack	50	
031-208-1051	BNC	Jack-Jack-Jack	50	
031-208-RFX	BNC	Jack-Jack-Jack	50	
031-2208 (UG-274B/U)	BNC	Jack-Jack-Jack	50	
031-4564	BNC	Jack-Jack-Jack	50	
031-70036	BNC	Jack-Jack-Jack	75	
031-8 (UG-274/U)	BNC	Jack-Jack-Jack	50	
112459	BNC	Jack-Jack-Jack	50	
112461	BNC	Jack-Jack-Jack	50	
112462	BNC	Jack-Jack-Jack	75	
112567	BNC	Plug-Jack-Jack	50	
112771	BNC	Plug-Jack-Jack	50	
000-27750	BNC	Plug-Jack-Plug	50	
034-1023	HD-BNC	Jack-Jack-Jack	75	
082-102-RFX	N Type	Jack-Jack-Jack	50	
082-99 (UG-28A/U)	N Type	Jack-Jack-Jack	50	
172127	N Type	Jack-Jack-Jack	50	
172127S	N Type	Jack-Jack-Jack	50	
172233	N Type	Jack-Jack-Jack	50	
082-102 (UG-107B/U)	N Type	Jack-Plug-Jack	50	
172125	N Type	Jack-Plug-Jack	50	
901-178	SMA	Jack-Jack-Jack	50	
132216	SMA	Jack-Jack-Jack	50	
132216SS	SMA	Jack-Jack-Jack	50	
901-382-1	SMA	Jack-Jack-Plug	50	
901-305	SMA	Jack-Plug-Jack	50	
132217	SMA	Jack-Plug-Jack	50	
132399	SMA	Plug-Plug-Plug	50	
142299	SMB	Jack-Jack-Jack	50	
142300	SMB	Jack-Plug-Jack	50	
122355	TNC	Jack-Jack-Jack	75	
122354	TNC	Jack-Jack-Jack	50	
000-79700	TNC	Jack-Plug-Jack	50	
122356	TNC	Jack-Plug-Jack	50	
122357	TNC	Jack-Plug-Jack	50	
031-41050-4	Triax	Jack-Plug-Jack	Non-Constant	
082-5677-RFX	Twinax	Jack-Jack-Jack	Non-Constant	
162106	Twinax	Jack-Jack-Jack	50	
000-26850-RFX	Twinax	Jack-Plug-Jack	Non-Constant	
083-1T	UHF	Jack-Plug-Jack	Non-Constant	

[VIEW ALL TEE-ADAPTERS](#)



Amphenol® RF

www.amphenolrf.com

North America

Amphenol RF Global HQ

4 Old Newtown Road
Danbury, CT 06810

Toll Free: (800) 627-7100

International: (203) 743-9272

Email: sales@amphenolrf.com

Western US Sales Office

5069 Maureen Lane, Suite B
Moorpark, CA 93021

Mexico

Circunvalacion del Mar 56
Parque Industrial de
Nogales
Nogales, Sonora, C.P.
84094

Asia

China

Block DM2
Tang Wei Industrial District
Gong Ming Street
Guang Ming New District
Shenzhen City, Guangdong
Province, P.R. China

China

No. 55, Industry 2nd Road
Aerospace Economic Technology
Development Zone
Xi'an, Shaanxi Province
P.R. China

India

Plot 3/4B & 5A
CMDA's Industrial Area
Maraimalai Nagar
Kilkarantai Village
Chengleput Taluk, Kancheepuram
Chennai, 603209

Europe

Amphenol RF Europe

Hoofdveste 19
3992 DH Houten
The Netherlands

Tel: +31 30 635 8000

Tel: +31 30 637 7899

Email: info@amphenol-nl.com

