

AC centrifugal fans - RadiCal®

Series R2E190 RA Ø190 mm



Highlights:

- Backward curved
- 7-blade impeller, single phase motor
- Thermal overload protector (TOP) wired internally
- Mounting position: Any
- Condensate discharge holes: None
- Ingress protection of IP44; dependent on installation and position

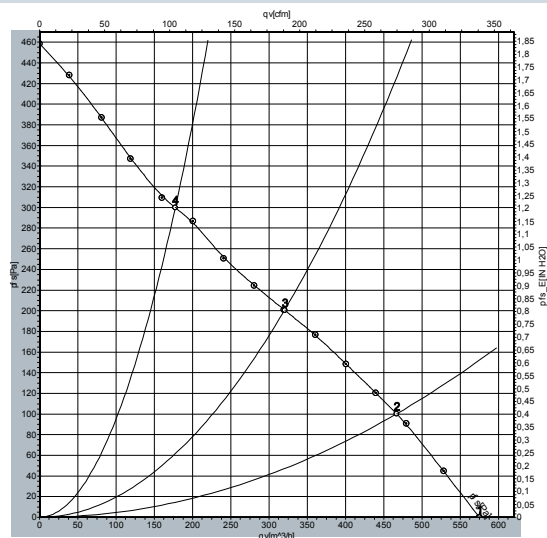
Material: Fiberglass reinforced composite
Impeller: PA

Direction of rotation: Clockwise, seen on rotor

Nominal Data	Air flow		Nominal voltage	Hertz	Ball bearings	Power input	Speed (1)	Temperature range (1)	Mass	Ingress Protection Rating	Capacitor	UL
	Type	CFM	VAC									
R2E190-RA50-21	341.4	115	50/60	Yes	70	2,450	-25...75	1,200	IP44	6	Yes	
R2E190-RA26-20	347.3	230	50/60	Yes	70	2,500	-25...75	1,200	IP44	1.5	Yes	

(1) Nominal data at operating point with maximum load.

R2E190-RA50-21 Curves



Measurement: LU-128367

Air performance measured as per: ISO 5801, Installation category A, without protection against accidental contact.

Suction-side noise levels: LwA as per ISO 13347, LpA measured at 1m distance to fan axis.

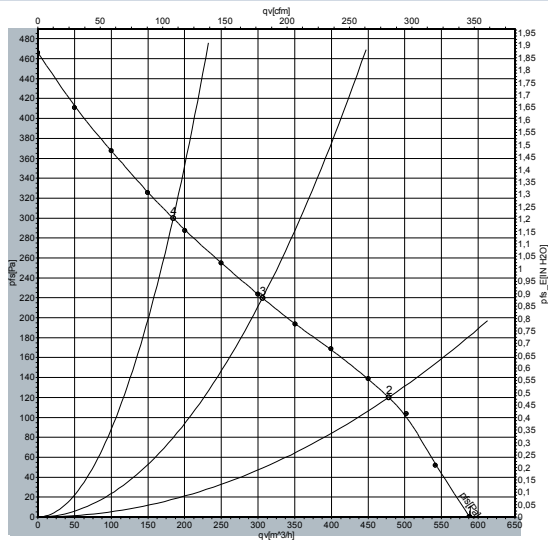
The values given are valid under the measuring conditions mentioned and may vary according to the actual installation situation.

With any deviation to the standard set-up, the specific values have to be checked and reviewed once installed or fitted.

For detailed information on the measuring set-up, please contact ebm-papst.

	n rpm	Pe W	I A (115V)	LwA dB(A)
Ⓐ 1	2750	60	0.53	68
Ⓐ 2	2575	63	0.55	64
Ⓐ 3	2450	66	0.59	60
Ⓐ 4	2630	62	0.54	65

R2E190-RA26-20 Curves



Measurement: LU-125753

Air performance measured as per: ISO 5801, Installation category A, without protection against accidental contact.

Suction-side noise levels: L_{WA} as per ISO 13347, L_{PA} measured at 1m distance to fan axis.

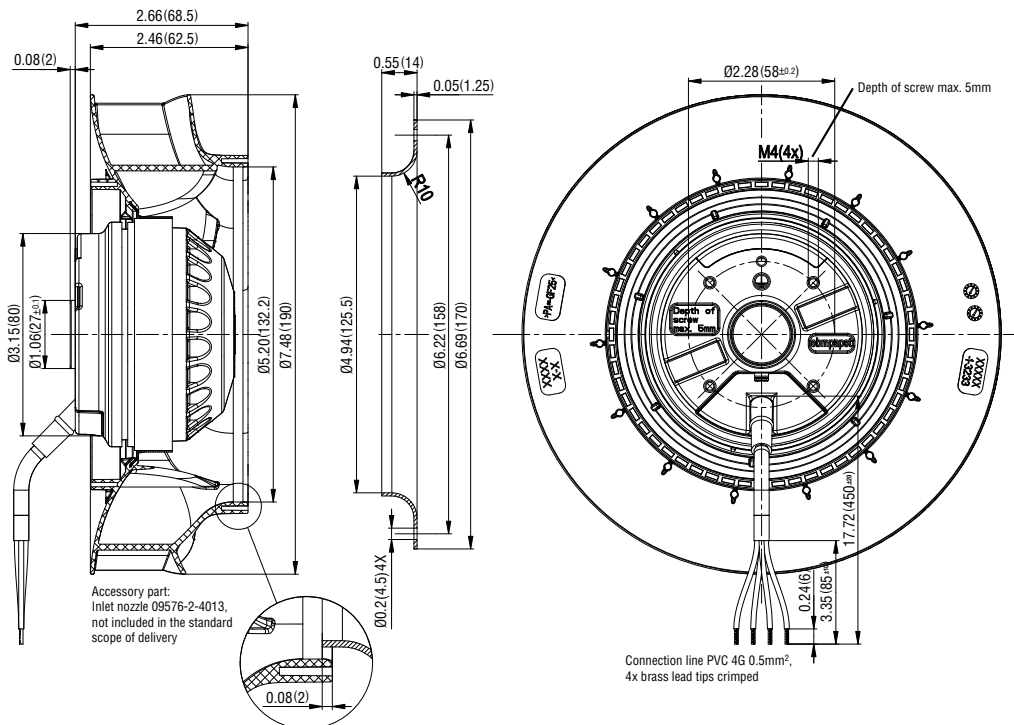
The values given are valid under the measuring conditions mentioned and may vary according to the actual installation situation.

With any deviation to the standard set-up, the specific values have to be checked and reviewed once installed or fitted.

For detailed information on the measuring set-up, please contact ebm-papst.

	n	Pe	I	L _{WA}
	rpm	W	A (230V)	dB(A)
①	2720	60	0.27	68
②	2635	62	0.27	65
③	2500	65	0.29	61
④	2670	61	0.27	66

R2E190-RAXX-XX



R2E190AO Series Motorized Impeller

Ø 190mm Backward Curved



- Backward curved centrifugal fans feature extremely long blades. These impellers are highly resistant to dirt and dust. Their hydraulic efficiency is very high.
- Impeller completely made of plastic PA 6.
- Maintenance-free ball bearings.
- Insulation class "B". Cable exit: variable. Direction of rotation is CW as seen from intake side.
- UL, CSA, VDE approvals on most models, please contact application engineering.
- Recommended inlet ring: 9576-2-4013.

Part Number	Curve	CFM @ 0	VAC	Hertz	Power (W)	dBA	Max Amb. Temp. C	Bearing Type	Features	Capacitor (µF)	Speed (RPM)
R2E190-AO50-16	1	365	115	50/60	75	64	55	Ball	Leads	8	2700
R2E190-AO26-25	1	365	230	60	75	64	55	Ball	Leads	2	2700

