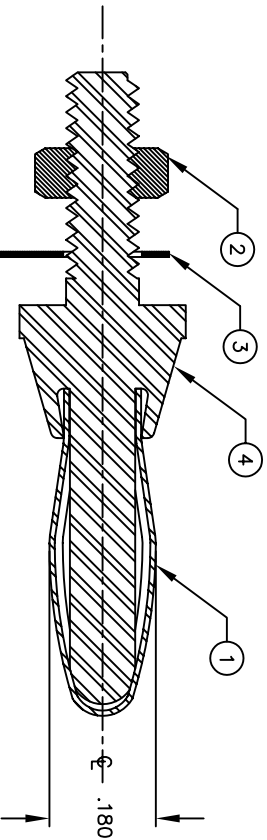


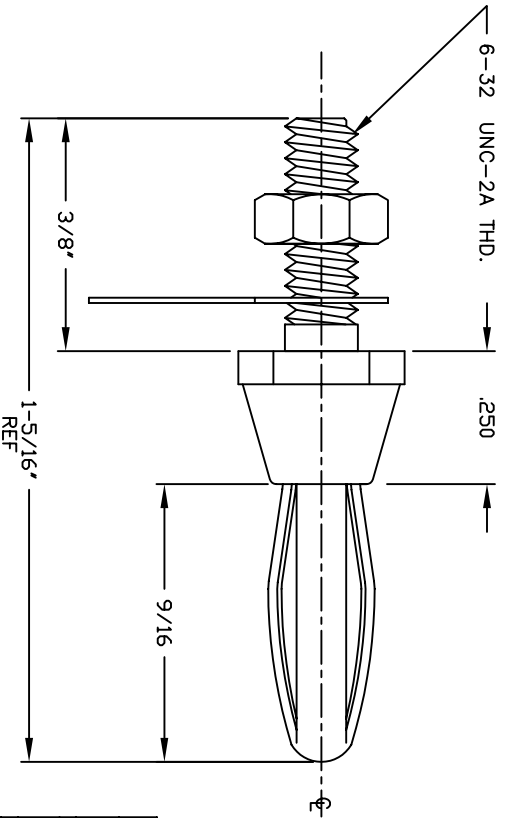
BILL OF MATERIALS				
DET.	QTY.	DESCRIPTION	MATERIAL	PLATING
1	1	SPRING	BE CU	NICKEL
2	1	HEX NUT	STEEL	ZINC
3	1	LUG	.010 BRASS	TIN
4	1	BODY	BRASS	NICKEL

REVISIONS		REVISED	DATE	APPR
SYM	DESCRIPTION			

### FULL SECTION



NOTE 1: BODY AND SPRING TO BE ASSEMBLED BEFORE PLATE



MATERIAL: "SEE TABLE"		FINISH: "SEE TABLE"		<b>ABBATRON</b> Electronic Connectors and Hardware 632 Arch Street, Meadville, Pa. 16335		
DIMENSIONAL TOLERANCES UNLESS OTHERWISE SPECIFIED		TITLE:				
XX	.XXX	BANANA PLUG ASSEMBLY				
---	---	SCALE				
FRACTIONS	ANGLES	SCALE		DRAWN: S. GERHOLD DATE: 7-27-95		
---	---	4:1		CHECKED: E. MCKINNEY DATE: 8-1-95		
HEAT TREAT:	---	APPROXIM.		DATE: 8-3-95		
PLAT SCALE:	1=1			SIZE	DRAWING NUMBER	
				B	SD-102	ISSUE
				C		