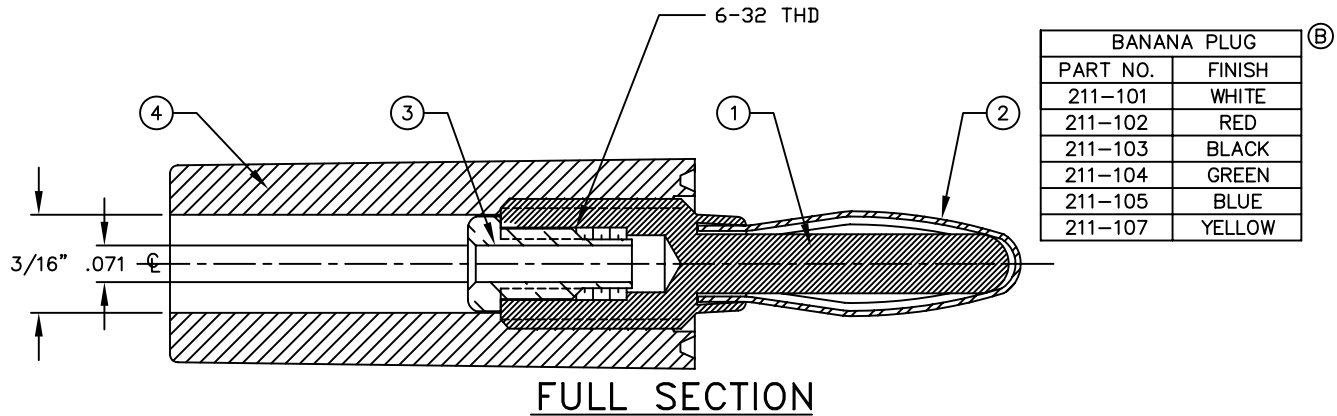
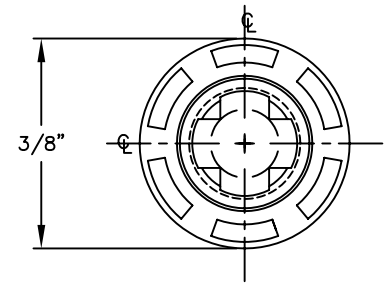
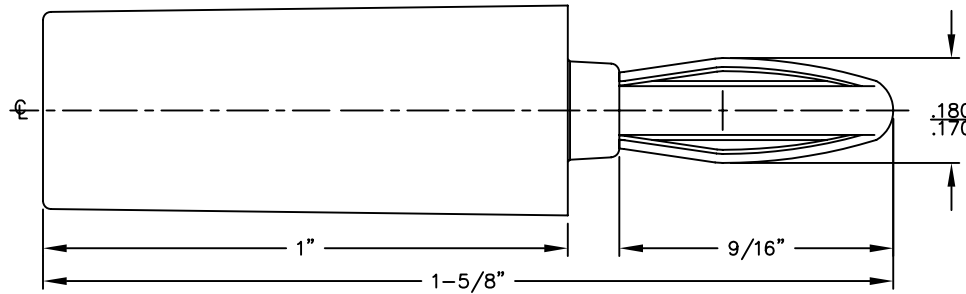
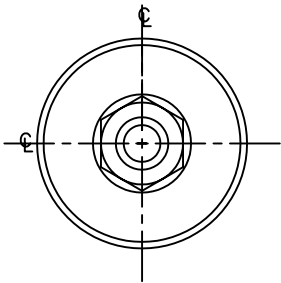


BILL OF MATERIALS			
DET.	QTY.	DESCRIPTION	MATERIAL
1	1	BODY	BRASS
2	1	SPRING- CONTACT	BERYLLIUM-COPPER
3	1	STUD- SCREW	BRASS
4	1	HANDLE	NYLON

REVISIONS				
SYM	DESCRIPTION	REVISED BY	DATE	APPR



BANANA PLUG ^(B)	
PART NO.	FINISH
211-101	WHITE
211-102	RED
211-103	BLACK
211-104	GREEN
211-105	BLUE
211-107	YELLOW



MATERIAL: SEE TABLE			FINISH: SEE TABLE			<h1 style="text-align: center;">ABBATRON</h1> <p style="text-align: center;">Electronic Connectors and Hardware 632 Arch Street, Meadville, Pa. 16335</p>											
DIMENSIONAL TOLERANCES UNLESS OTHERWISE SPECIFIED			TITLE: 211 SERIES INSULATED BANANA PLUG ASSEMBLY						<table border="1" style="width: 100%;"> <tr> <th>SIZE</th> <th>DRAWING NUMBER</th> <th>ISSUE</th> </tr> <tr> <td>B</td> <td>SD211</td> <td>C</td> </tr> </table>			SIZE	DRAWING NUMBER	ISSUE	B	SD211	C
SIZE	DRAWING NUMBER	ISSUE															
B	SD211	C															
.XX	.XXX	.XXXX	DRAWN: T. LORD DATE: 11/10/03														
±.015	±.005	---	CHECKED: T. LORD DATE: 11/10/03														
FRACTIONS	ANGLES	SCALE	APPROVED: T. LORD DATE: 11/10/03														
±1/64	±1°	4:1	HEAT TREAT: ---														
PLOT SCALE: 1=1			PLOT SCALE: 1=1														