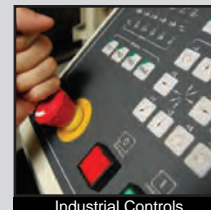
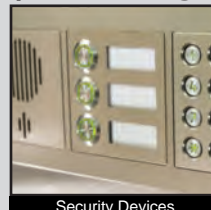
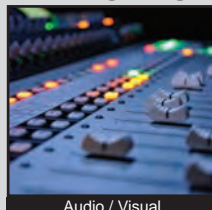


# PV0 SERIES ANTI-VANDAL SWITCH

ANTI-VANDAL SWITCHES  
DETECTOR SWITCHES  
DIP SWITCHES  
KEYLOCK SWITCHES  
NAVIGATION SWITCHES  
PUSHBUTTON SWITCHES  
ROCKER SWITCHES  
ROTARY SWITCHES  
SLIDE SWITCHES  
SNAP ACTION SWITCHES  
TACTILE SWITCHES  
TOGGLE SWITCHES  
CAP OPTIONS



## APPLICATIONS / MARKETS



RoHS

## SPECIFICATIONS

**Electrical Rating:** 2A, 36VDC  
**Mechanical Life:** 1,000,000 Cycles  
**Electrical Life:** 50,000 Cycles  
**Contact Resistance:** 50mΩ Max.  
**Insulation Resistance:** 1000 MΩ Min.  
**Dielectric Strength:** 2,000VAC  
**Operating/Storage Temperature:** -20°C to 55°C  
**Travel:** 1.50mm  
**Moisture Protection:** IP65  
**Contact Arrangement:** SPST Off-(On)  
**Actuation Force:** 4 N  
**Panel Thickness:** 1-6mm  
**Mounting Nut Torque:** 5-14Nm

## FEATURES & BENEFITS

- 12mm panel cutout
- Ring or dot illumination options
- Multiple LED color options
- IP65 rated

## PART NUMBER CONFIGURATOR

Series	Actuator Options	Terminal Options	Function Options	Rating Options	Body Finish Options	Actuator Finish Options	Contact Material Options	Lens Style Options	LED-Color Options	Illumination Voltage Options
<input type="text" value="PV0"/>	<input type="text" value="H - High"/>	<input type="text" value="2 - Solder"/>	<input type="text" value="4 - Off - (On)*"/>	<input type="text" value="0 - 2A, 36VDC"/>	<input type="text" value="S - Stainless Steel"/>	<input type="text" value="S - Stainless Steel"/>	<input type="text" value="NONE - Silver"/>	<input type="text" value="NONE - Non-Illuminated"/>	<input type="text" value="NONE - Non-Illuminated"/>	<input type="text" value="NONE - Non-Illuminated"/>
					1 - Black Anodized	1 - Black Anodized		2 - Dot Illumination	0 - White	1 - Base Voltage <sup>†</sup>
								3 - Ring Illumination	1 - Red	
									2 - Orange	
									3 - Green	
									4 - Blue	
									5 - Yellow	

**NOTES:**

\* (ON) Denotes function is momentary

<sup>†</sup> Base voltage on LEDs:

1.8V @ 20mA for Red, Yellow and Orange LED colors

2.8V @ 20mA for Blue, Green and White LED colors

Specifications subject to change without notice 1.30.2018



E-SWITCH®

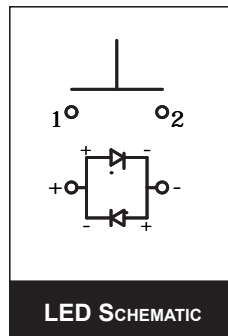
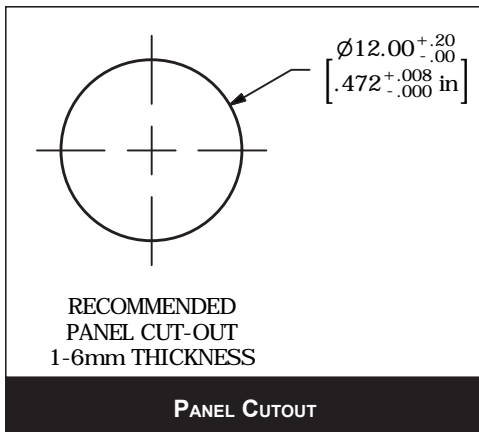
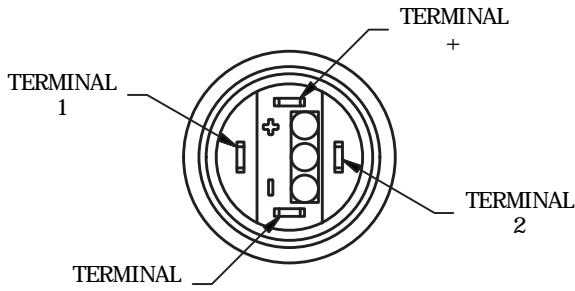
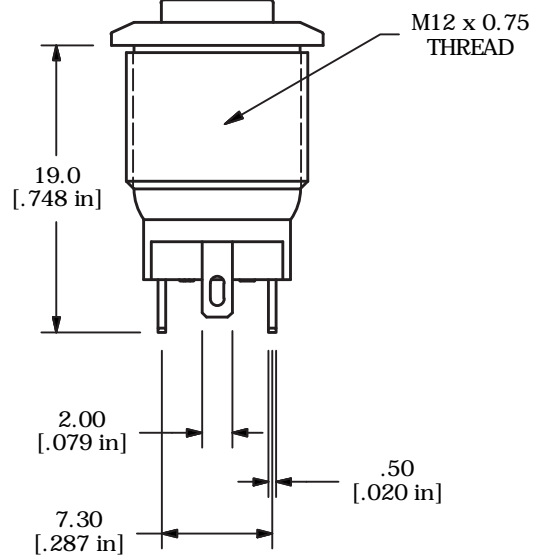
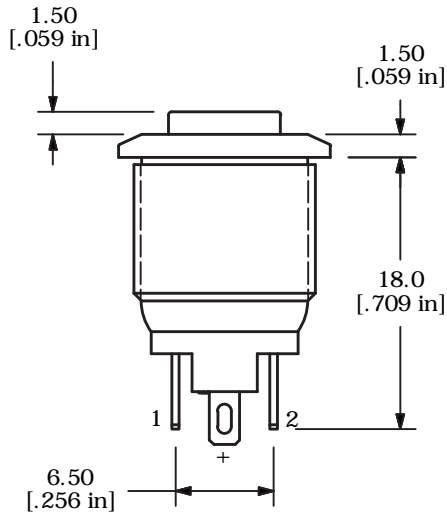
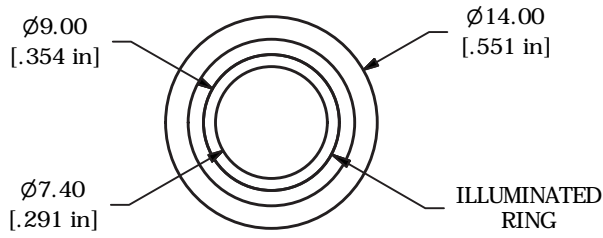
www.e-switch.com

800.867.2717

1

# PV0 SERIES ANTI-VANDAL SWITCH

## RING ILLUMINATION

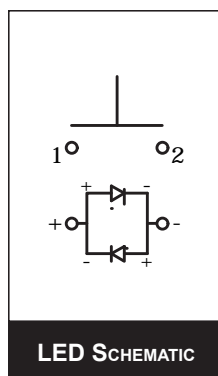
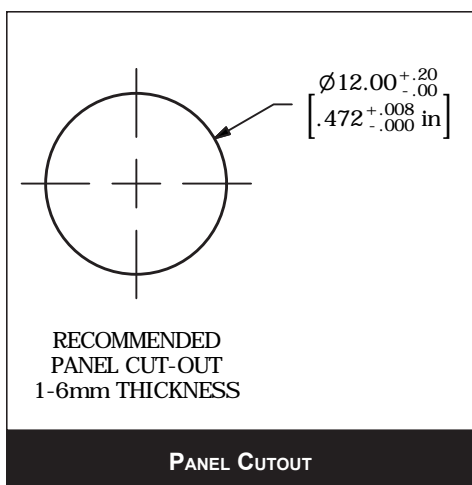
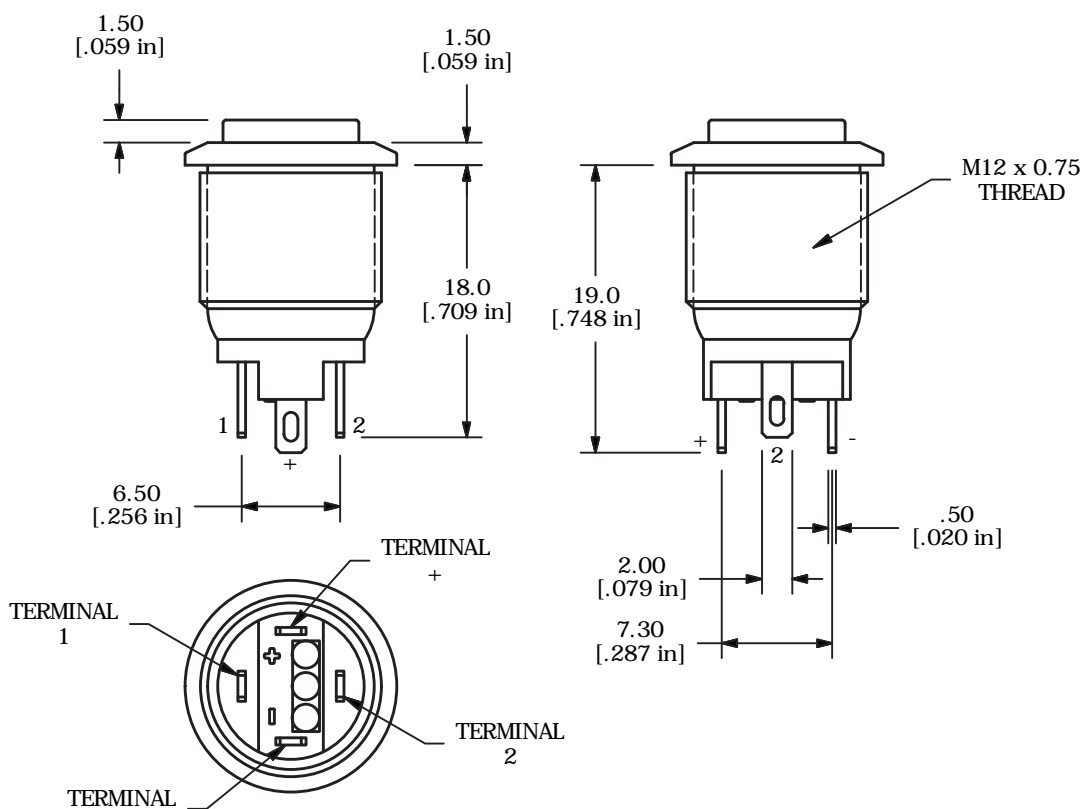
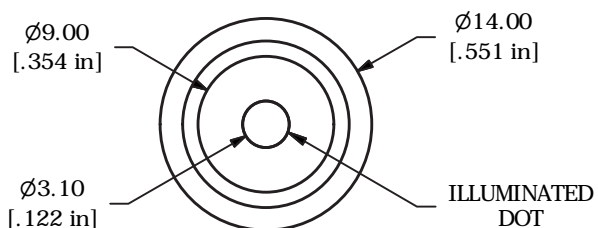


ANTI-VANDAL SWITCHES  
 DETECTOR SWITCHES  
 DIP SWITCHES  
 KEYLOCK SWITCHES  
 NAVIGATION SWITCHES  
 PUSHBUTTON SWITCHES  
 ROCKER SWITCHES  
 ROTARY SWITCHES  
 SLIDE SWITCHES  
 SNAP ACTION SWITCHES  
 TACTILE SWITCHES  
 TOGGLE SWITCHES  
 CAP OPTIONS



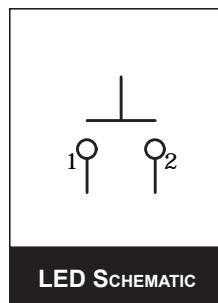
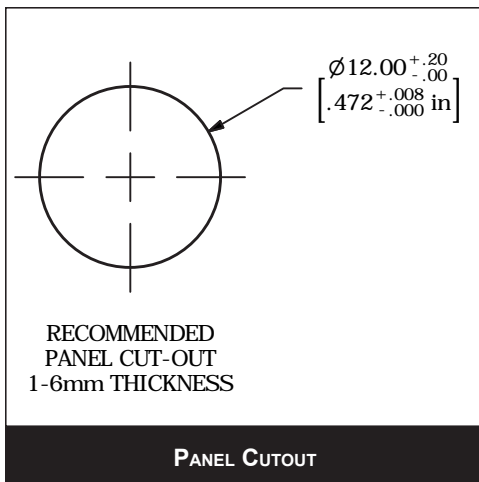
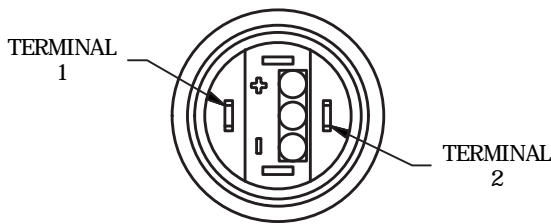
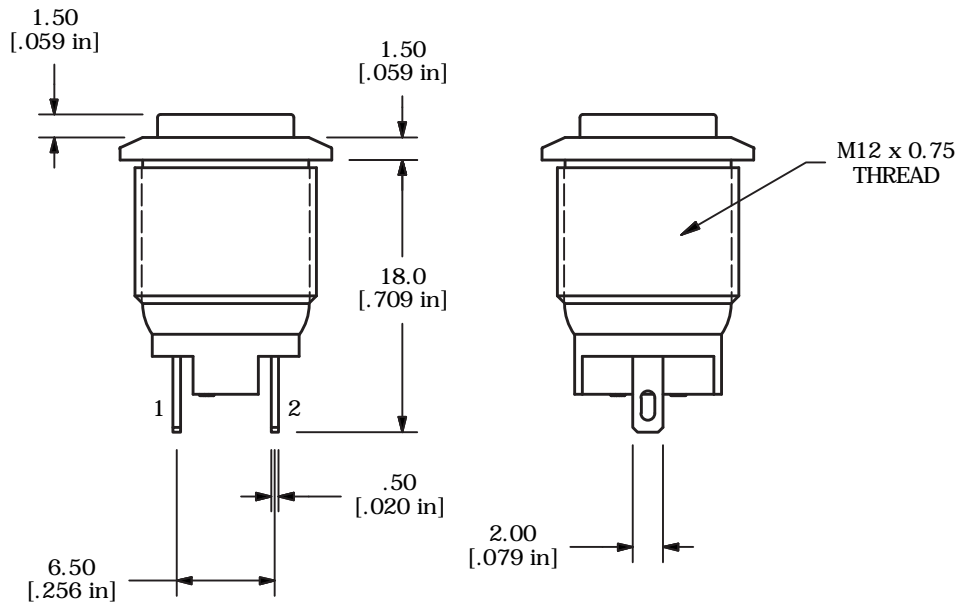
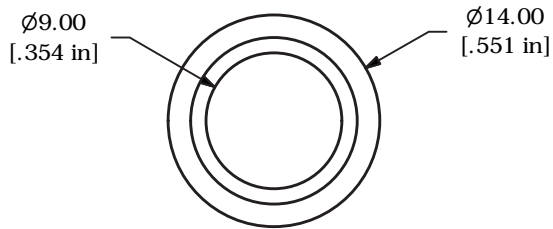
# PV0 SERIES ANTI-VANDAL SWITCH

## DOT ILLUMINATION



# PV0 SERIES ANTI-VANDAL SWITCH

NON-ILLUMINATED



ANTI-VANDAL SWITCHES  
DETECTOR SWITCHES  
DIP SWITCHES  
KEYLOCK SWITCHES  
NAVIGATION SWITCHES  
PUSHBUTTON SWITCHES  
ROCKER SWITCHES  
ROTARY SWITCHES  
SLIDE SWITCHES  
SNAP ACTION SWITCHES  
TACTILE SWITCHES  
TOGGLE SWITCHES  
CAP OPTIONS



**E-SWITCH**

www.e-switch.com

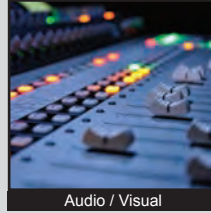
800.867.2717

# PV1 SERIES ANTI-VANDAL SWITCH

ANTI-VANDAL SWITCHES  
DETECTOR SWITCHES  
DIP SWITCHES  
KEYLOCK SWITCHES  
NAVIGATION SWITCHES  
PUSHBUTTON SWITCHES  
ROCKER SWITCHES  
ROTARY SWITCHES  
SLIDE SWITCHES  
SNAP ACTION SWITCHES  
TACTILE SWITCHES  
TOGGLE SWITCHES  
CAP OPTIONS



## APPLICATIONS / MARKETS



Audio / Visual



Security Devices



Industrial Controls



Kiosks



Electrical Housewares



Medical Equipment

# RoHS

## SPECIFICATIONS

**Electrical Rating:** 2A, 36VDC  
**Mechanical Life:** 1,000,000 Cycles  
**Electrical Life:** 200,000 Cycles  
**Contact Resistance:** 50mΩ Max.  
**Insulation Resistance:** 1000 MΩ Min.  
**Dielectric Strength:** 2,000VAC  
**Operating/Storage Temperature:** -20°C to 55°C  
**Travel:** 2.50mm  
**Moisture Protection:** IP65  
**Contact Arrangement:** SPST Off-(On)  
**Actuation Force:** 4 N  
**Panel Thickness:** 1-8mm  
**Mounting Nut Torque:** 0.8Nm

## FEATURES & BENEFITS

- 19mm panel cutout
- Solder or screw termination options
- Flat, high or domed actuator options
- IP65 rated

## PART NUMBER CONFIGURATOR

Series	Actuator Options	Terminal Options	Function Options	Rating Options	Body Finish Options	Actuator Finish Options	Contact Material Options	Marking Options
<input type="text" value="PV1"/>	<input type="text" value="F"/> F - Flat H - High S - Domed	<input type="text" value="2"/> 2 - Solder 6 - Screw	<input type="text" value="4"/> 4 - Off - (On)*	<input type="text" value="0"/> 0 - 2A, 36VDC	<input type="text" value="G"/> G - Gold N - Nickel S - Polished Stainless B - Brushed Stainless 1 - Black Anodized	<input type="text" value="G"/> G - Gold N - Nickel S - Polished Stainless B - Brushed Stainless 1 - Black Anodized	<input type="text" value="NONE"/> NONE - Silver G - Gold	<input type="text" value="NONE"/> NONE - Non-Illuminated M01 - Power Symbol

**NOTES:**

\* (ON) Denotes function is momentary

Specifications subject to change without notice



**E-SWITCH®**

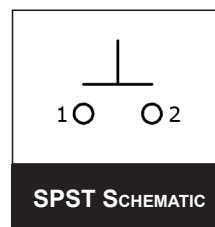
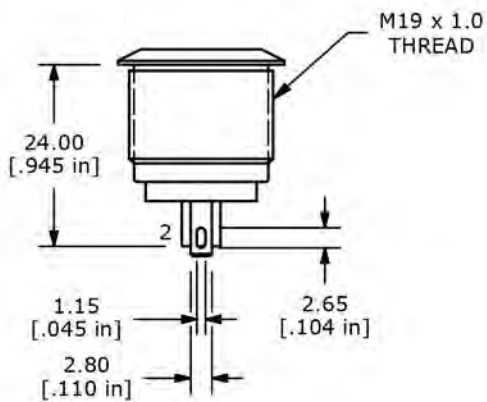
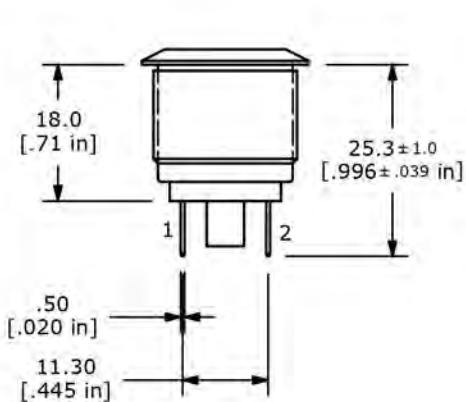
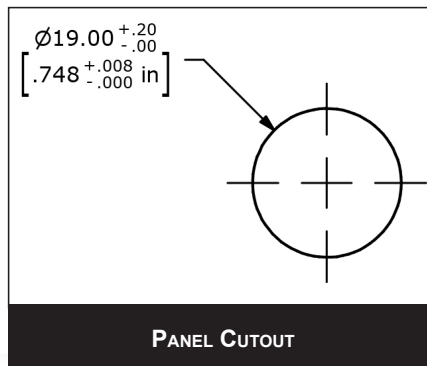
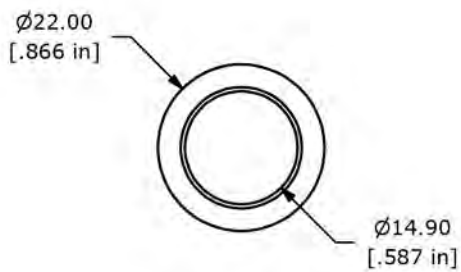
www.e-switch.com

800.867.2717

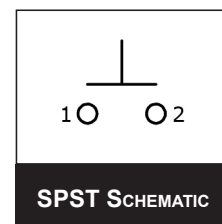
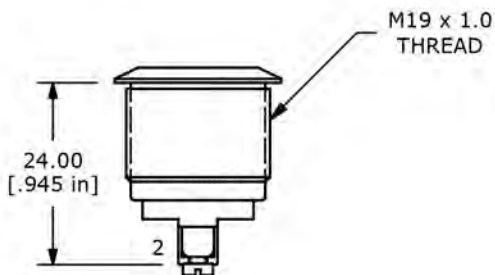
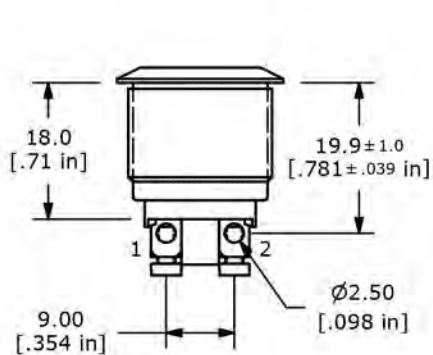
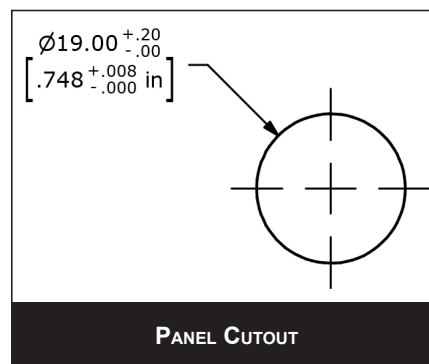
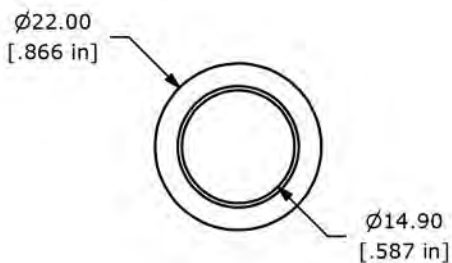
2

# PV1 SERIES ANTI-VANDAL SWITCH

## SOLDER TERMINATION

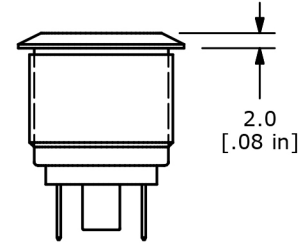
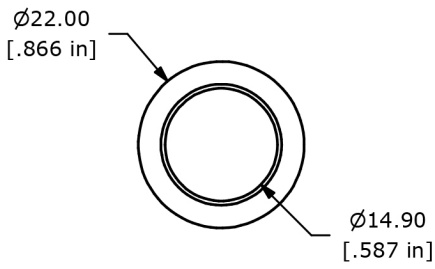


## SCREW TERMINATION

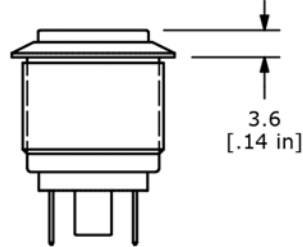
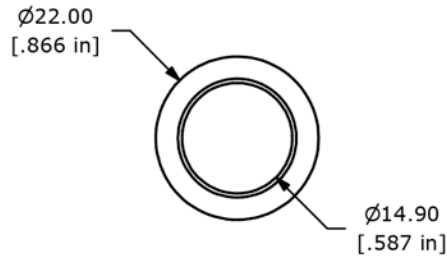


# PV1 SERIES ANTI-VANDAL SWITCH

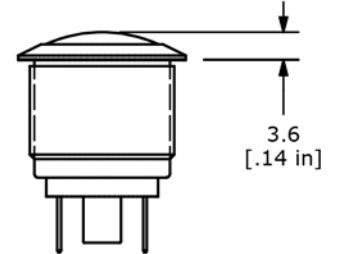
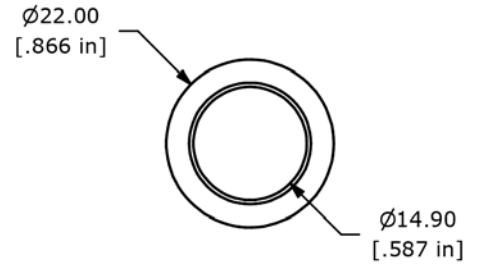
## ACTUATOR OPTIONS



FLAT ACTUATOR

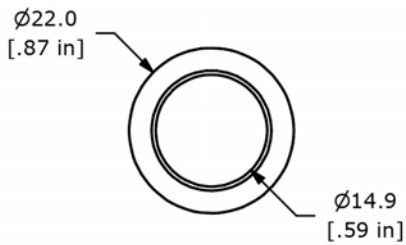


HIGH ACTUATOR

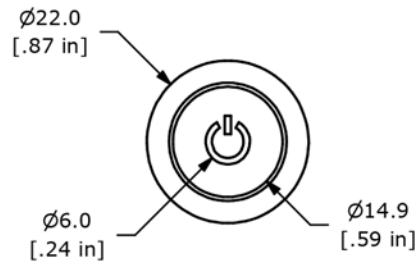


DOMED ACTUATOR

## GRAPHIC OPTIONS



NONE



M01 POWER SYMBOL

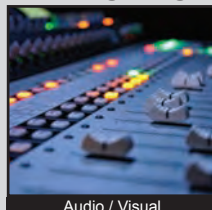


# PV2 SERIES ANTI-VANDAL SWITCH

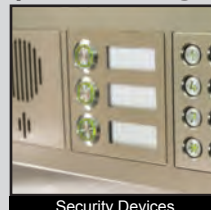
ANTI-VANDAL SWITCHES  
DETECTOR SWITCHES  
DIP SWITCHES  
KEYLOCK SWITCHES  
NAVIGATION SWITCHES  
PUSHBUTTON SWITCHES  
ROCKER SWITCHES  
ROTARY SWITCHES  
SLIDE SWITCHES  
SNAP ACTION SWITCHES  
TACTILE SWITCHES  
TOGGLE SWITCHES  
CAP OPTIONS



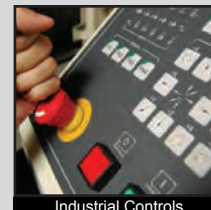
## APPLICATIONS / MARKETS



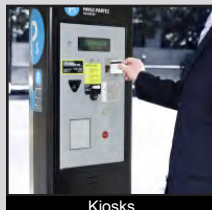
Audio / Visual



Security Devices



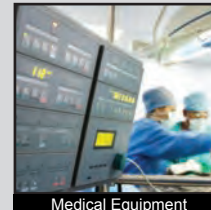
Industrial Controls



Kiosks



Electrical Housewares



Medical Equipment

# RoHS

## SPECIFICATIONS

**Electrical Rating:** 2A, 36VDC  
**Mechanical Life:** 1,000,000 Cycles  
**Electrical Life:** 200,000 Cycles  
**Contact Resistance:** 50mΩ Max.  
**Insulation Resistance:** 1000 MΩ Min.  
**Dielectric Strength:** 2,000VAC  
**Operating/Storage Temperature:** -20°C to 55°C  
**Travel:** 2.50mm  
**Moisture Protection:** IP65  
**Contact Arrangement:** SPST Off-(On)  
**Actuation Force:** 4 N  
**Panel Thickness:** 1-6mm  
**Mounting Nut Torque:** 0.8Nm

## FEATURES & BENEFITS

- 16mm panel cutout
- Solder or screw termination options
- Flat, high or domed actuator options
- IP65 rated

## PART NUMBER CONFIGURATOR

Series	Actuator Options	Terminal Options	Function Options	Rating Options	Body Finish Options	Actuator Finish Options	Contact Material Options	Marking Options
<input type="text" value="PV2"/>	<input type="text" value="F"/> F - Flat H - High S - Domed	<input type="text" value="2"/> 2 - Solder 6 - Screw	<input type="text" value="4"/> 4 - Off - (On)*	<input type="text" value="0"/> 0 - 2A, 36VDC	<input type="text" value="G"/> G - Gold N - Nickel S - Polished Stainless B - Brushed Stainless 1 - Black Anodized	<input type="text" value="G"/> G - Gold N - Nickel S - Polished Stainless B - Brushed Stainless 1 - Black Anodized	<input type="text" value="NONE"/> NONE - Silver G - Gold	<input type="text" value="NONE"/> NONE - Non-Illuminated M01 - Power Symbol

**NOTES:**  
 \*(ON) Denotes function is momentary

Specifications subject to change without notice



**E-SWITCH®**

www.e-switch.com

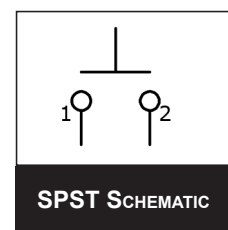
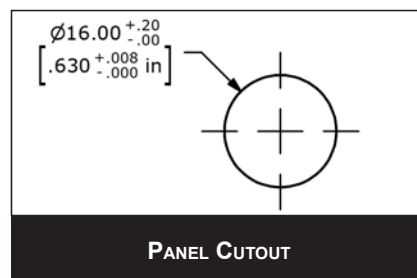
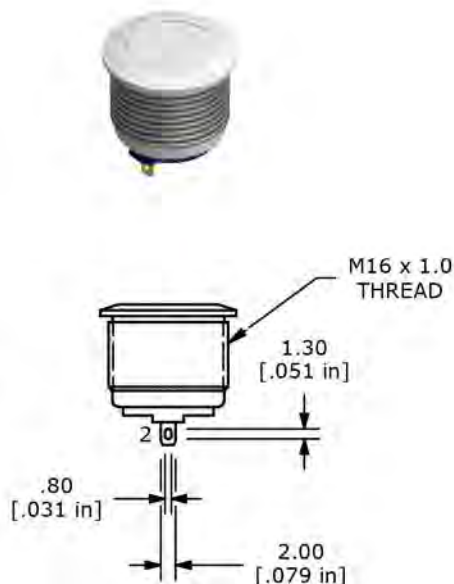
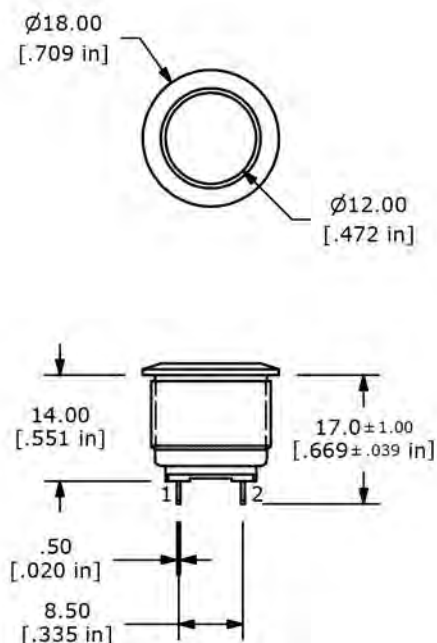
800.867.2717

2

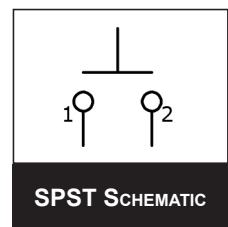
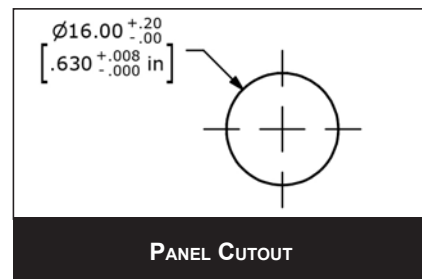
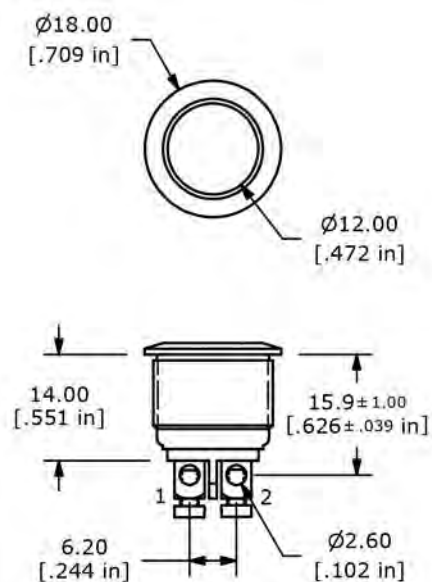


# PV2 SERIES ANTI-VANDAL SWITCH

## SOLDER TERMINATION



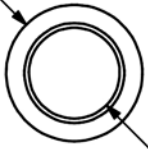
## SCREW TERMINATION



# PV2 SERIES ANTI-VANDAL SWITCH

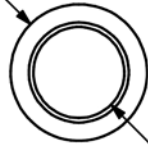
## ACTUATOR OPTIONS

Ø18.00  
[.709 in]



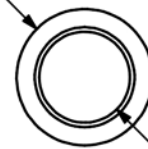
Ø12.00  
[.472 in]

Ø18.00  
[.709 in]

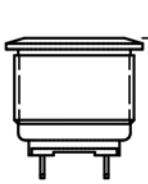


Ø12.00  
[.472 in]

Ø18.00  
[.709 in]

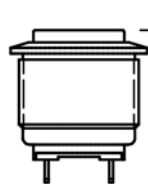


Ø12.00  
[.472 in]



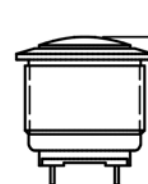
1.50  
[.059 in]

FLAT ACTUATOR



3.10  
[.122 in]

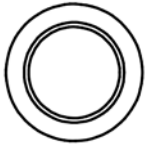
HIGH ACTUATOR



3.00  
[.118 in]

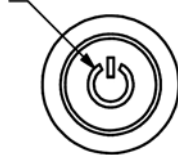
DOMED ACTUATOR

## GRAPHIC OPTIONS



NONE

Ø6.00  
[.236 in]



M01 POWER SYMBOL

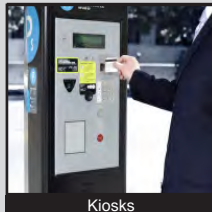
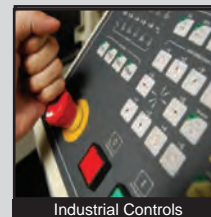
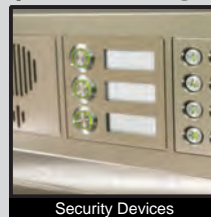
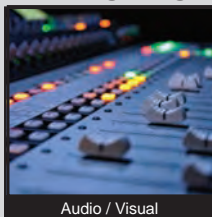


# PV3 SERIES ANTI-VANDAL SWITCH

ANTI-VANDAL SWITCHES  
DETECTOR SWITCHES  
DIP SWITCHES  
KEYLOCK SWITCHES  
NAVIGATION SWITCHES  
PUSHBUTTON SWITCHES  
ROCKER SWITCHES  
ROTARY SWITCHES  
SLIDE SWITCHES  
SNAP ACTION SWITCHES  
TACTILE SWITCHES  
TOGGLE SWITCHES  
CAP OPTIONS



## APPLICATIONS / MARKETS



**RoHS**

## SPECIFICATIONS

**Electrical Rating:** 2A, 48VDC  
**Mechanical Life:** 200,000 Cycles  
**Electrical Life:** 50,000 Cycles  
**Contact Resistance:** 50mΩ Max.  
**Insulation Resistance:** 1000MΩ Max.  
**Operating/Storage Temperature:** -20°C to 55°C  
**Travel:** 2.80mm  
**Moisture Protection:** IP40 (PV3,PV3S) & IP67 (PV3W, PV3SW)  
**Contact Arrangement:** SPST & DPDT  
**Actuation Force:** 4 N  
**Panel Thickness:** 1-8mm  
**Mounting Nut Torque:** 0.6Nm

## FEATURES & BENEFITS

- 16mm diameter panel cutout
- Dot and ring illumination options
- Multiple actuator options
- Non-sealed and seal option configurable
- SPST & DPDT

## PART NUMBER CONFIGURATOR

Series	Actuator Options	Terminal Options	Function Options	Rating Options	Body Finish Options	Actuator Finish Options	Contact Material Options	Lens Style Options	Lens Color Options	Illumination Voltage Options
<input type="checkbox"/> <b>PV3</b> - Non Water-Resistant Version: Long Body <input type="checkbox"/> <b>PV3S</b> - Non Water-Resistant Version: Short Body Non-Illuminated only <input type="checkbox"/> <b>PV3W</b> - Water-Resistant Version: Long Body <input type="checkbox"/> <b>PV3SW</b> - Water-Resistant Version: Short Body Non-Illuminated only	<input type="checkbox"/> <b>F</b> - Flat <input type="checkbox"/> <b>H</b> - High <input type="checkbox"/> <b>G</b> - Guarded Concave	<input type="checkbox"/> <b>2</b> - Solder	<input type="checkbox"/> <b>B</b> - 1 Pole On - (On)* <input type="checkbox"/> <b>H</b> - 2 Pole On - (On)*	<input type="checkbox"/> <b>0</b> - 2A, 48VDC	<input type="checkbox"/> <b>1</b> - Black Anodized <input type="checkbox"/> <b>N</b> - Nickel <input type="checkbox"/> <b>B</b> - Brushed Stainless <input type="checkbox"/> <b>S</b> - Polished Stainless	<input type="checkbox"/> <b>0</b> - Clear/Aluminum <input type="checkbox"/> <b>1</b> - Black Anodized <input type="checkbox"/> <b>7</b> - Blue <input type="checkbox"/> <b>8</b> - Green <input type="checkbox"/> <b>9</b> - Red <input type="checkbox"/> <b>N</b> - Nickel <input type="checkbox"/> <b>B</b> - Brushed Stainless <input type="checkbox"/> <b>S</b> - Polished Stainless	<input type="checkbox"/> <b>NONE</b> - Silver <input type="checkbox"/> <b>G</b> - Gold	<input type="checkbox"/> <b>NONE</b> - Non-Illuminated <input type="checkbox"/> <b>2</b> - Dot Illumination <input type="checkbox"/> <b>3</b> - Ring Illumination	<input type="checkbox"/> <b>NONE</b> - Non-Illuminated <input type="checkbox"/> <b>0</b> - White <input type="checkbox"/> <b>1</b> - Red <input type="checkbox"/> <b>2</b> - Orange <input type="checkbox"/> <b>3</b> - Green <input type="checkbox"/> <b>4</b> - Blue <input type="checkbox"/> <b>5</b> - Yellow	<input type="checkbox"/> <b>NONE</b> - Non-Illuminated <input type="checkbox"/> <b>1</b> - Base Voltage† <input type="checkbox"/> <b>3</b> - 6V <input type="checkbox"/> <b>4</b> - 12V <input type="checkbox"/> <b>5</b> - 24V <input type="checkbox"/> <b>6</b> - 125V

**NOTES:**  
 \*( ) denotes function is momentary

Specifications subject to change without notice 1.12.2018



**E-SWITCH®**

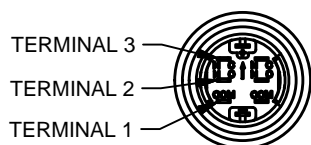
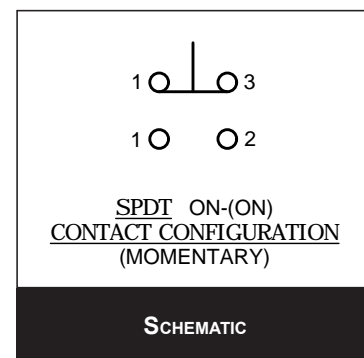
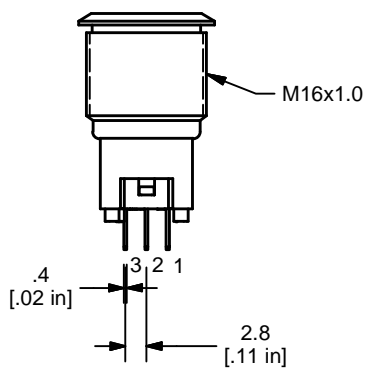
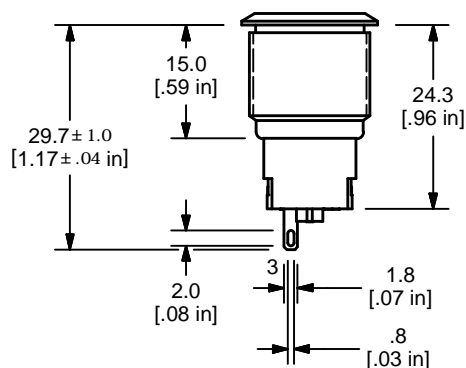
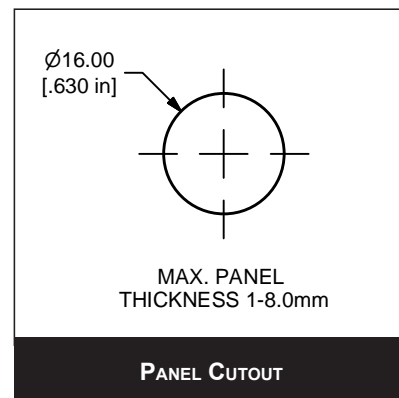
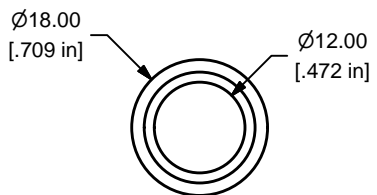
www.e-switch.com

800.867.2717

1

# PV3 SERIES ANTI-VANDAL SWITCH

## BODY DIMENSIONS



SHORT BODY



E-SWITCH®

www.e-switch.com

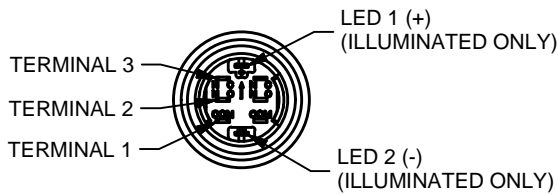
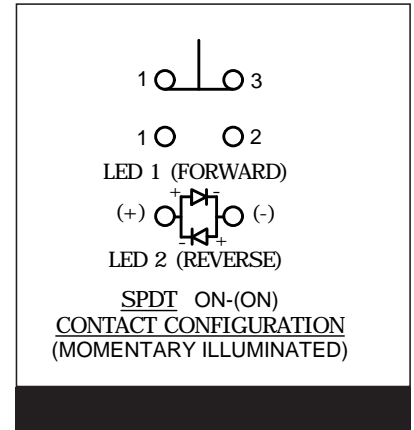
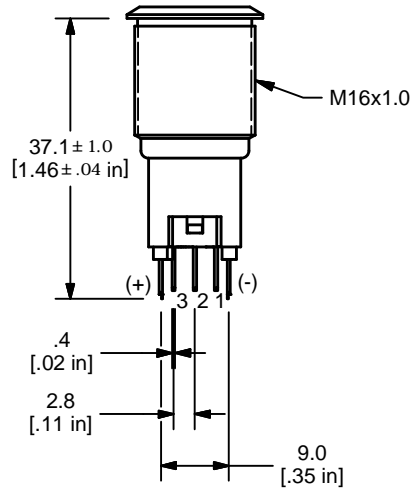
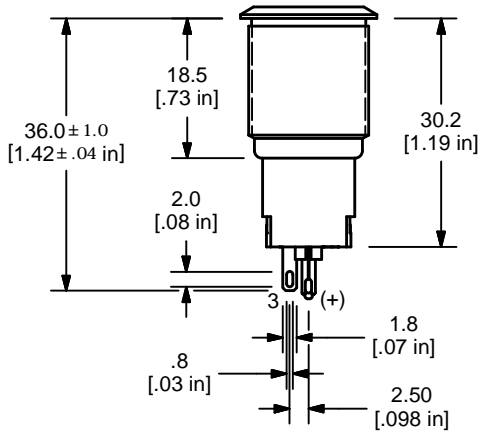
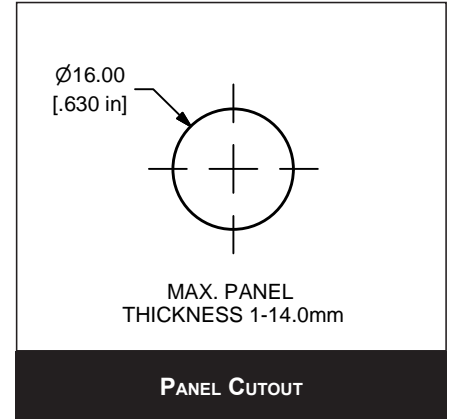
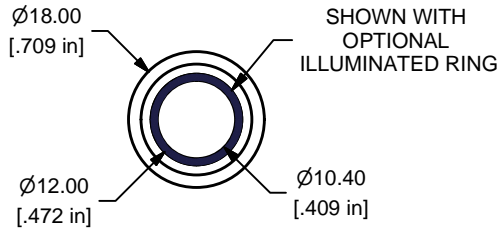
800.867.2717

2

ANTI-VANDAL SWITCHES  
DETECTOR SWITCHES  
DIP SWITCHES  
KEYLOCK SWITCHES  
NAVIGATION SWITCHES  
PUSHBUTTON SWITCHES  
ROCKER SWITCHES  
ROTARY SWITCHES  
SLIDE SWITCHES  
SNAP ACTION SWITCHES  
TACTILE SWITCHES  
TOGGLE SWITCHES  
CAP OPTIONS

# PV3 SERIES ANTI-VANDAL SWITCH

## BODY DIMENSIONS

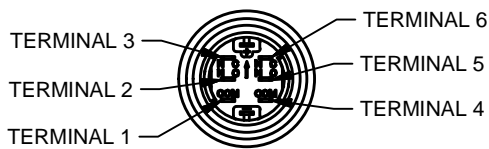
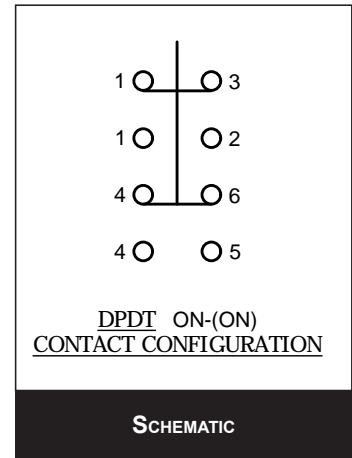
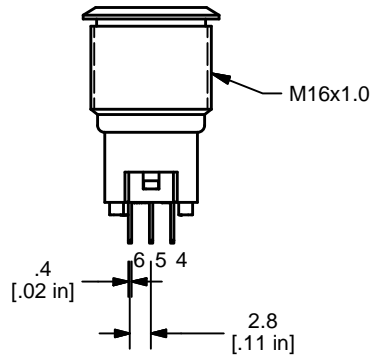
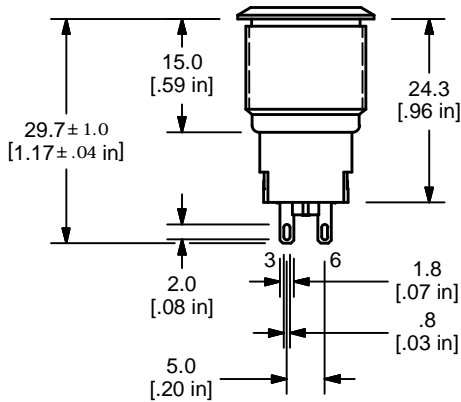
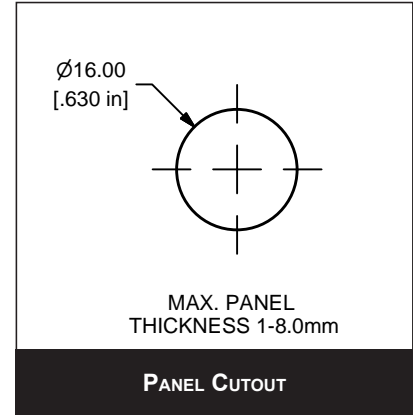
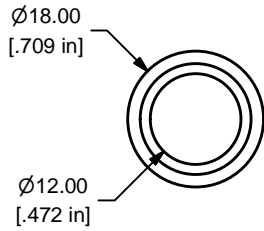


LONG BODY



# PV3 SERIES ANTI-VANDAL SWITCH

## BODY DIMENSIONS

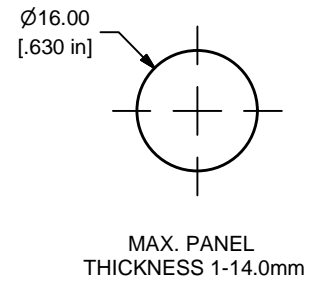
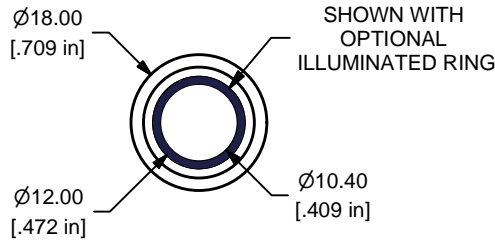


SHORT BODY

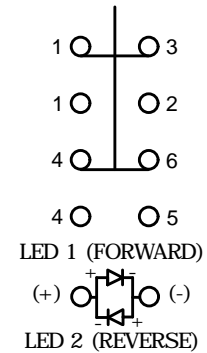
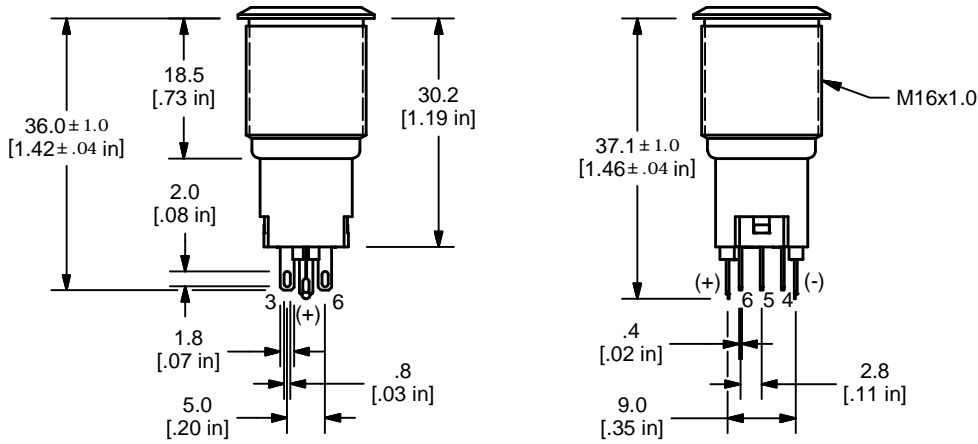


# PV3 SERIES ANTI-VANDAL SWITCH

## BODY DIMENSIONS

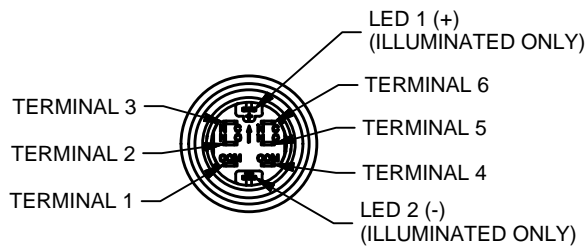


PANEL CUTOUT



DPDT ON-(ON)  
CONTACT CONFIGURATION  
(ILLUMINATED)

SCHEMATIC



LONG BODY



# PV3 SERIES ANTI-VANDAL SWITCH

ANTI-VANDAL SWITCHES

DETECTOR SWITCHES

DIP SWITCHES

KEYLOCK SWITCHES

NAVIGATION SWITCHES

PUSHBUTTON SWITCHES

ROCKER SWITCHES

ROTARY SWITCHES

SLIDE SWITCHES

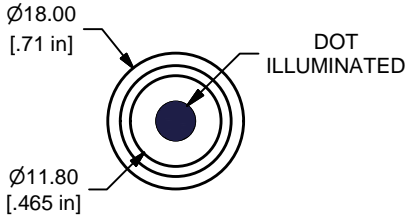
SNAP ACTION SWITCHES

TACTILE SWITCHES

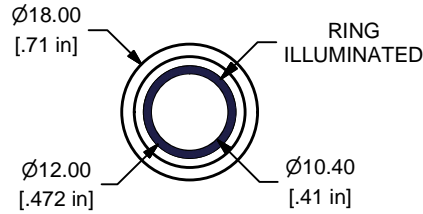
TOGGLE SWITCHES

CAP OPTIONS

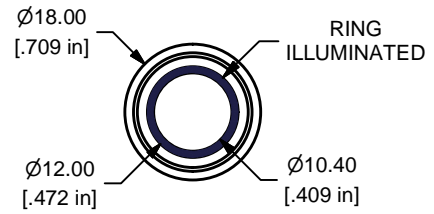
## ILLUMINATION OPTIONS



**DOT ILLUMINATED**

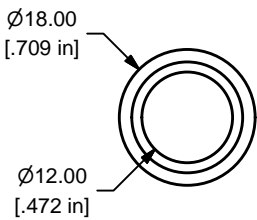


**RING ILLUMINATED**

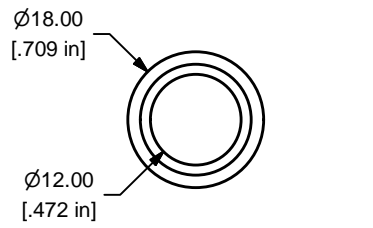


**RING ILLUMINATED  
WITH GUARDED CONCAVE ACTUATOR**

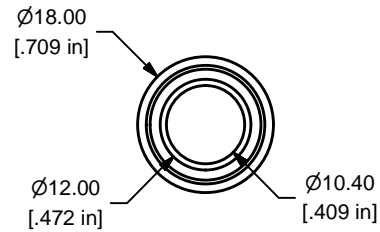
## ACTUATOR OPTIONS



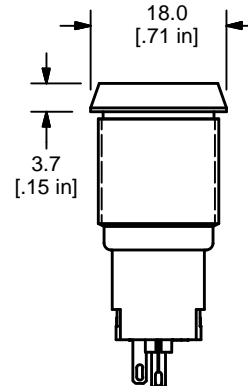
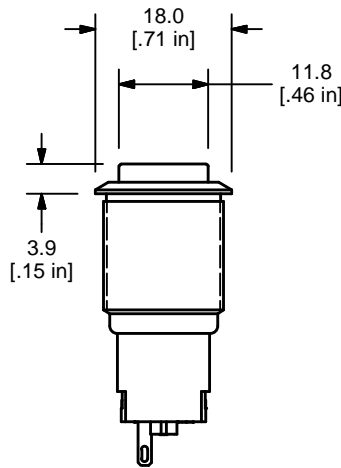
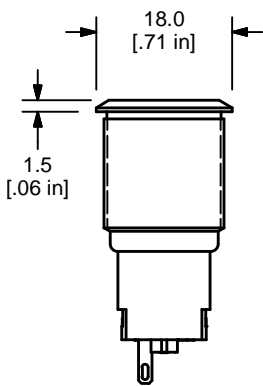
**FLAT ACTUATOR**



**HIGH ACTUATOR**



**GUARDED CONCAVE**



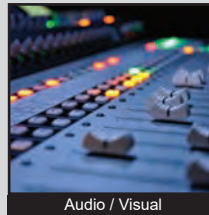


# PV4 SERIES ANTI-VANDAL SWITCH

ANTI-VANDAL SWITCHES  
DETECTOR SWITCHES  
DIP SWITCHES  
KEYLOCK SWITCHES  
NAVIGATION SWITCHES  
PUSHBUTTON SWITCHES  
ROCKER SWITCHES  
ROTARY SWITCHES  
SLIDE SWITCHES  
SNAP ACTION SWITCHES  
TACTILE SWITCHES  
TOGGLE SWITCHES  
CAP OPTIONS



## APPLICATIONS / MARKETS



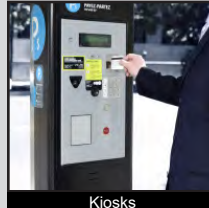
Audio / Visual



Security Devices



Industrial Controls



Kiosks



Electrical Housewares



Medical Equipment

# RoHS

## SPECIFICATIONS

**Electrical Rating:** 2A, 24VDC  
**Electrical Life:** 50,000 Cycles  
**Contact Resistance:** 50mΩ Max.  
**Insulation Resistance:** 1000 MΩ Min.  
**Dielectric Strength:** 2,000VAC  
**Operating/Storage Temperature:** -20°C to 55°C  
**Travel:** 2.50mm  
**Moisture Protection:** IP65  
**Contact Arrangement:** SPDT, DPDT  
**Actuation Force:** 4 N  
**Panel Thickness:** 1-11mm  
**Mounting Nut Torque:** 5-14Nm

## FEATURES & BENEFITS

- 19mm diameter panel cutout
- RGB LED option
- Dot, ring or power symbol illumination available
- Multiple function options
- IP65 rated
- SPDT & DPDT

## PART NUMBER CONFIGURATOR

Series	Actuator Options	Terminal Options	Function Options	Rating Options	Body Finish Options	Actuator Finish Options	Contact Material Options	Lens Style Options	LED-Color Options	Illumination Voltage Options	Graphic (Optional)
PV4	<input type="checkbox"/>	<input type="checkbox"/>	<input type="checkbox"/>	<input type="checkbox"/>	<input type="checkbox"/>	<input type="checkbox"/>	<input type="checkbox"/>	<input type="checkbox"/>	<input type="checkbox"/>	<input type="checkbox"/>	<input type="checkbox"/>
	F - Flat H - High	2 - Solder 6 - Screw*	3 - 1P On - On B - 1P On - (On) G - 2P On - On H - 2P On - (On) Y - Double break 1P Off - (On) 1P On - (Off)	0 - 2A, 24VDC	S - Stainless Steel 1 - Black Anodized	S - Stainless Steel 1 - Black Anodized	None - Silver G - Gold	NONE - Non-Illuminated 2 - Dot Illumination 3 - Ring Illumination	NONE - Non-Illuminated 0 - White 1 - Red 2 - Orange 3 - Green 4 - Blue 5 - Yellow F - Red/Orange G - Red/Green H - Red/Blue J - Red/Yellow K - Orange/Green L - Orange/Blue M - Orange/Yellow R - RGB LED***	NONE - Non-Illuminated 1 - Base Voltage 3 - 6V 4 - 12V 5 - 24V 6 - 125V 7 - 250V	M01 - Power symbol laser etched M26 - Power symbol illuminated**

### NOTES:

( ) denotes function is momentary  
 \* Screw termination is available only with "Y" function option  
 \*\* Illuminated power symbol graphic is only available with ring Illumination  
 \*\*\* RGB is only for SPDT functions 3 and B

Specifications subject to change without notice



**E-SWITCH®**

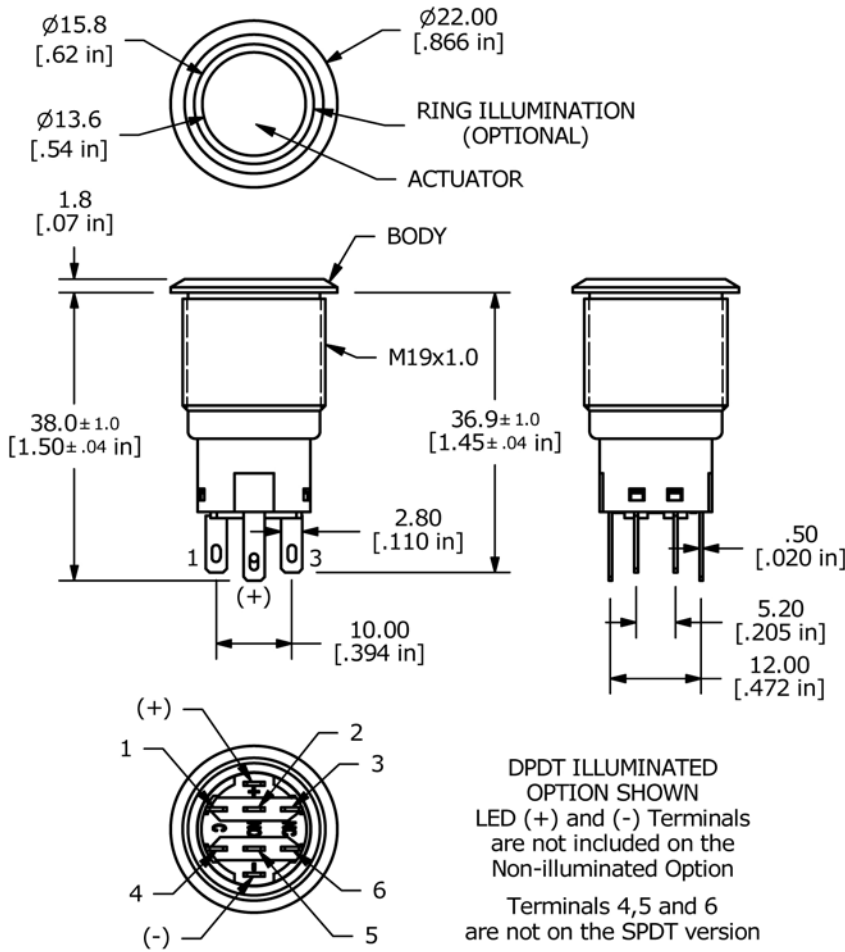
www.e-switch.com

800.867.2717

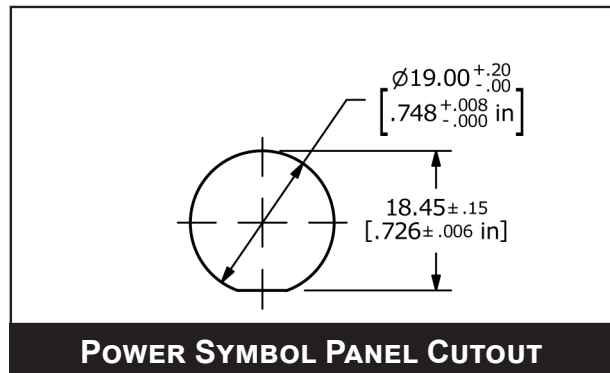
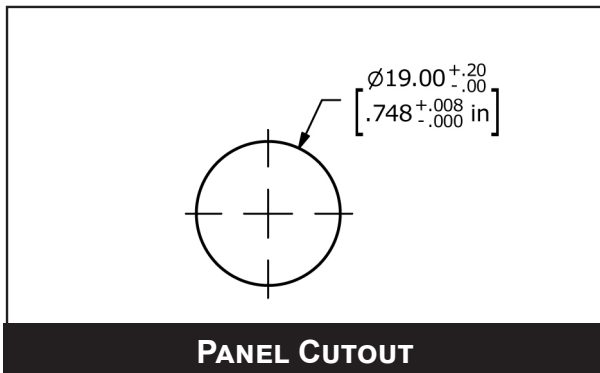
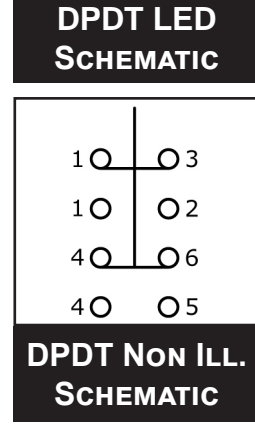
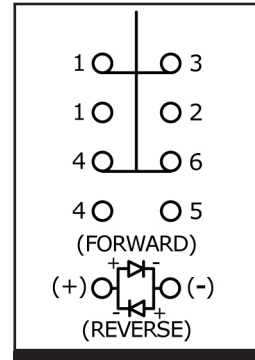
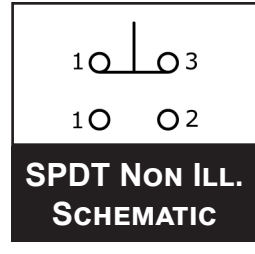
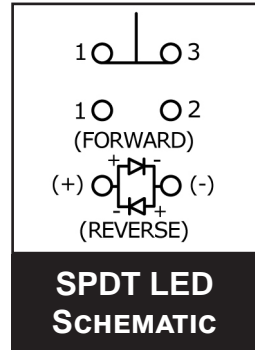
2

# PV4 SERIES ANTI-VANDAL SWITCH

## STANDARD LED FUNCTIONS 3, B, G & H



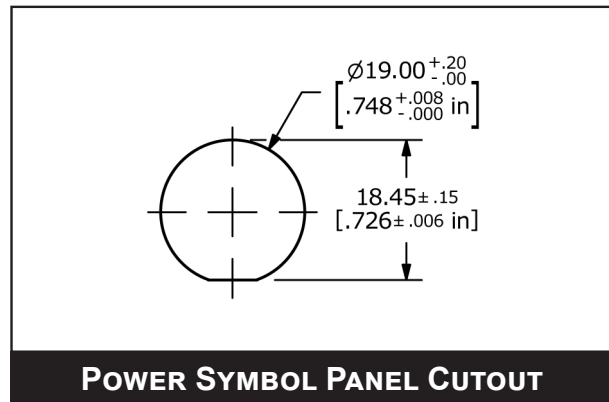
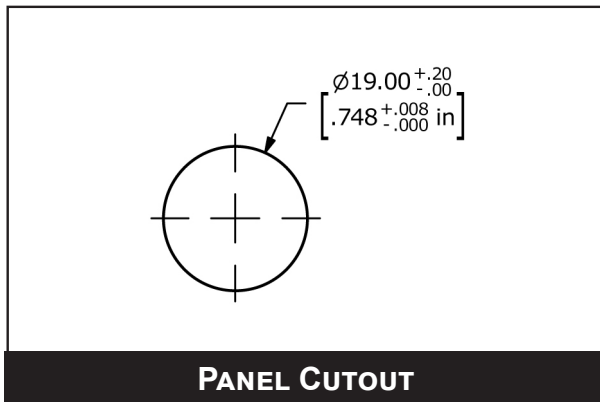
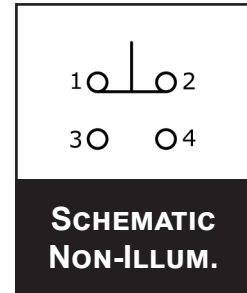
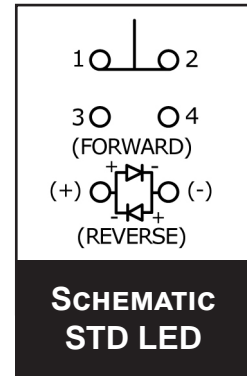
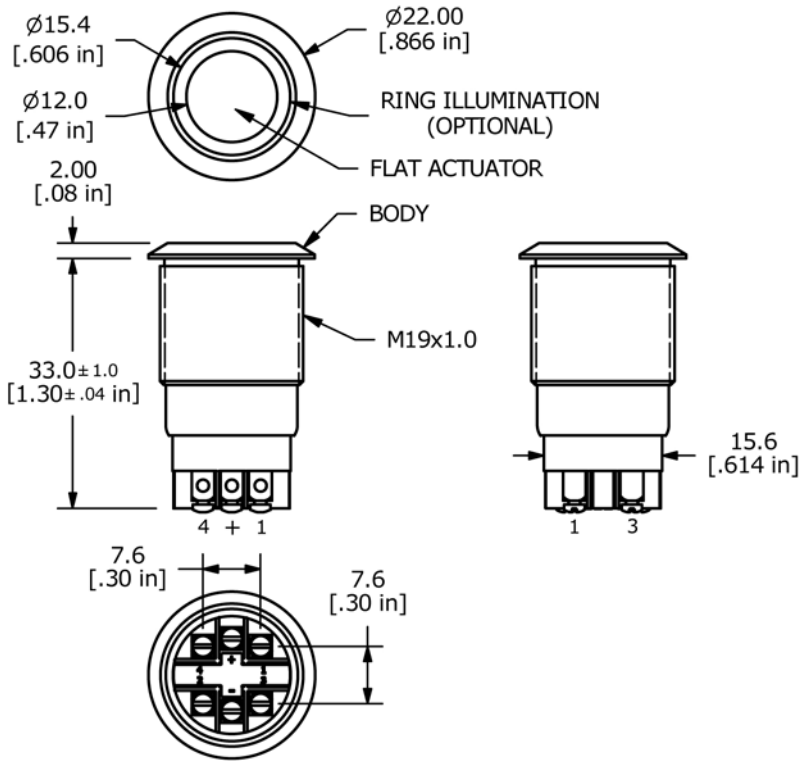
Notes:  
 Functions 3 & B are SPDT  
 Functions G & H are DPDT



ANTI-VANDAL SWITCHES  
 DETECTOR SWITCHES  
 DIP SWITCHES  
 KEYLOCK SWITCHES  
 NAVIGATION SWITCHES  
 PUSHBUTTON SWITCHES  
 ROCKER SWITCHES  
 ROTARY SWITCHES  
 SLIDE SWITCHES  
 SNAP ACTION SWITCHES  
 TACTILE SWITCHES  
 TOGGLE SWITCHES  
 CAP OPTIONS

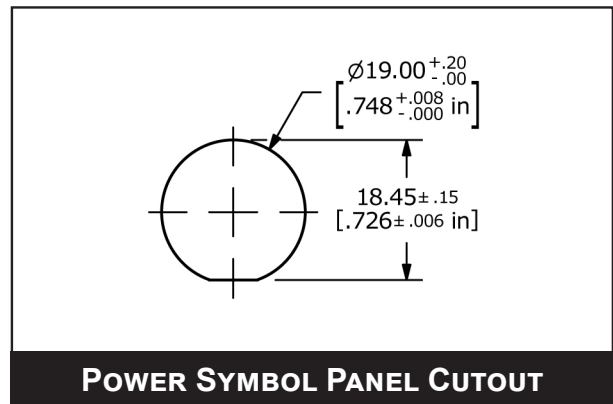
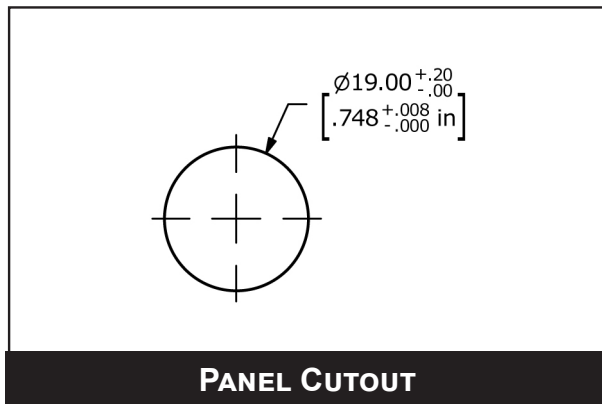
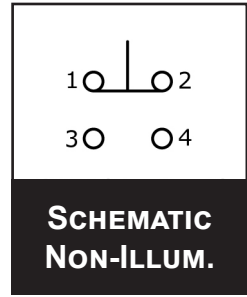
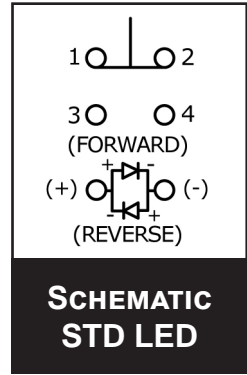
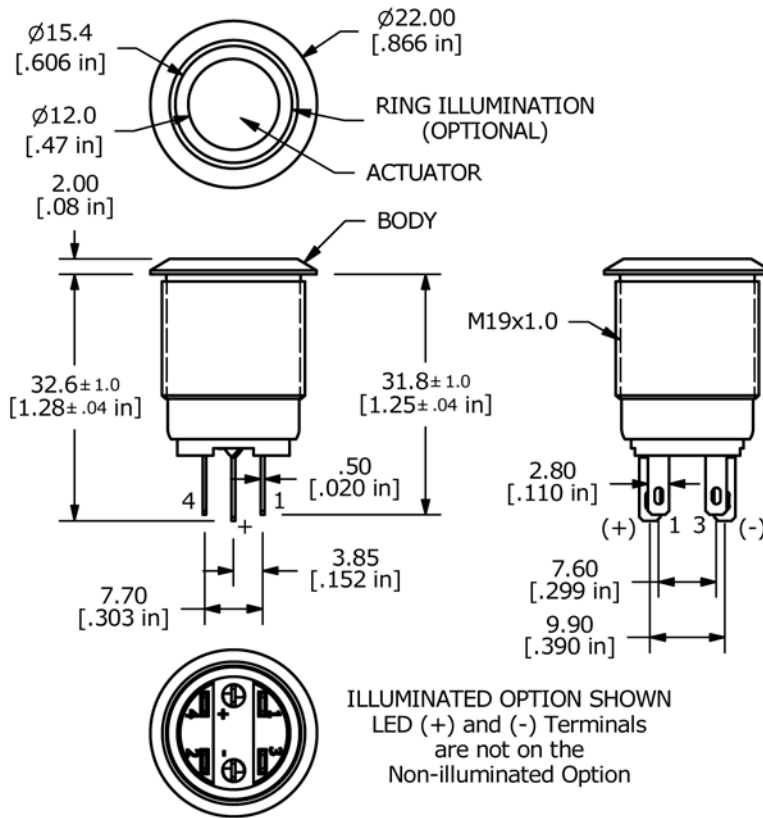
# PV4 SERIES ANTI-VANDAL SWITCH

## Y FUNCTION W/ SCREW TERMINALS



# PV4 SERIES ANTI-VANDAL SWITCH

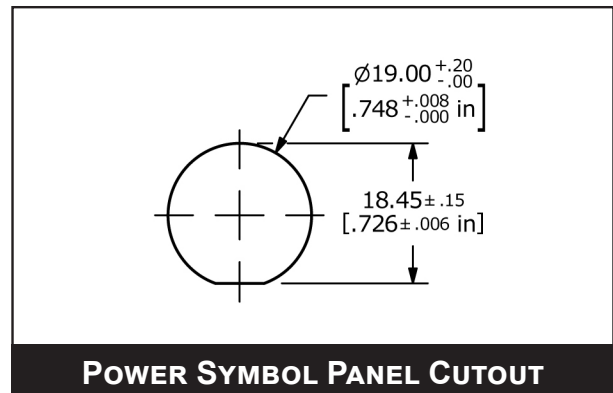
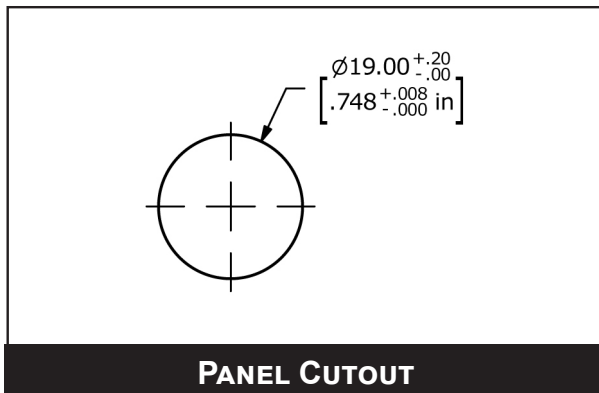
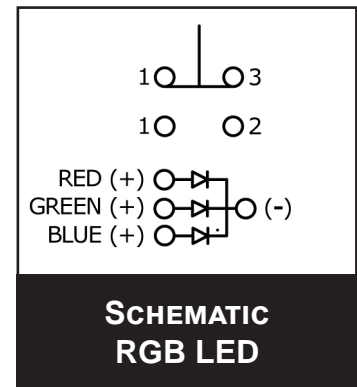
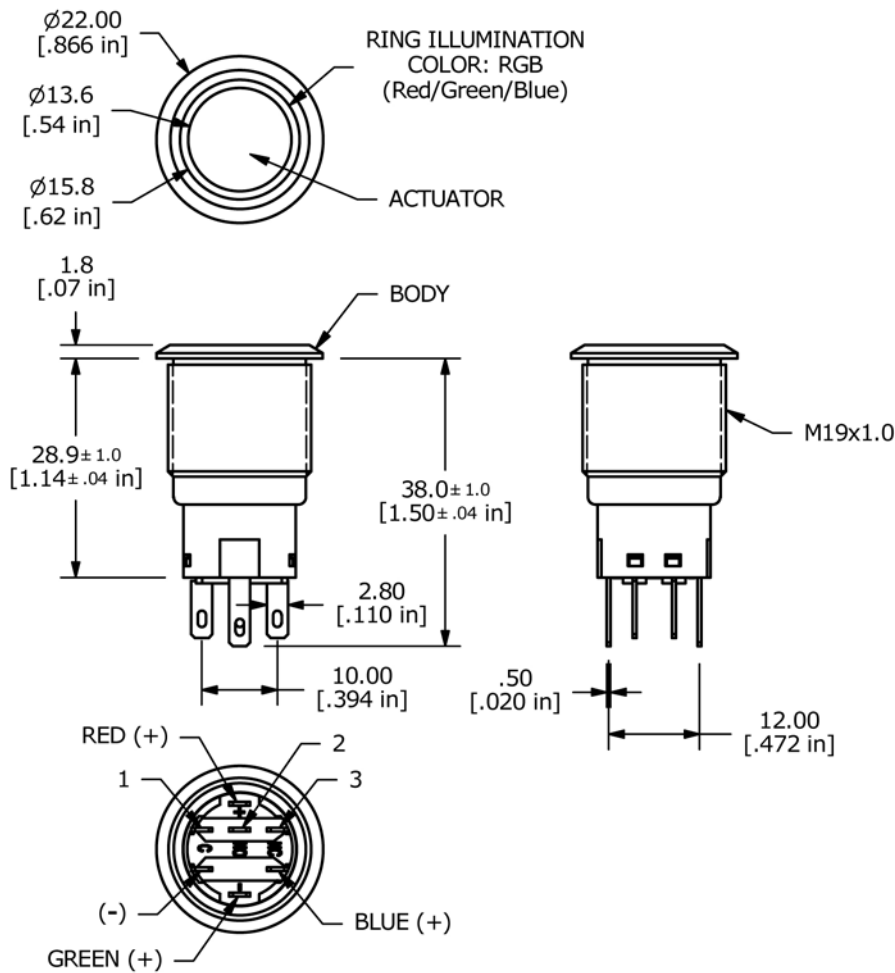
## Y FUNCTION W/ SOLDER TERMINALS



ANTI-VANDAL SWITCHES  
DETECTOR SWITCHES  
DIP SWITCHES  
KEYLOCK SWITCHES  
NAVIGATION SWITCHES  
PUSHBUTTON SWITCHES  
ROCKER SWITCHES  
ROTARY SWITCHES  
SLIDE SWITCHES  
SNAP ACTION SWITCHES  
TACTILE SWITCHES  
TOGGLE SWITCHES  
CAP OPTIONS

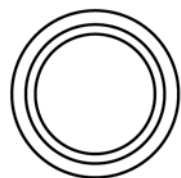
# PV4 SERIES ANTI-VANDAL SWITCH

## RGB LENS COLOR FUNCTIONS 3 & B

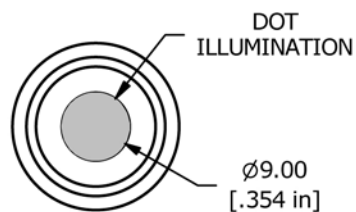


# PV4 SERIES ANTI-VANDAL SWITCH

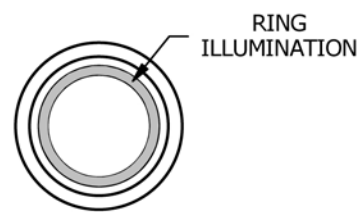
## LENS / ACTUATOR OPTIONS



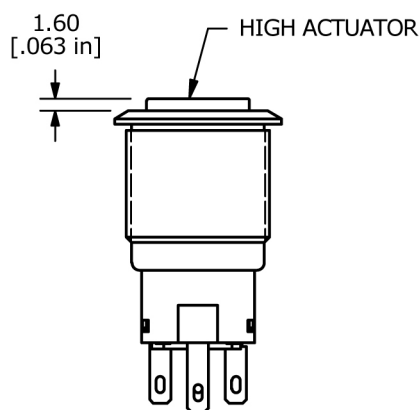
NON-ILLUMINATED



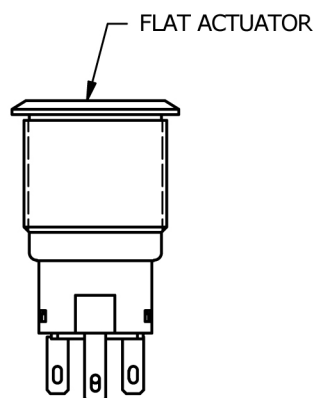
DOT ILLUMINATED



RING ILLUMINATED



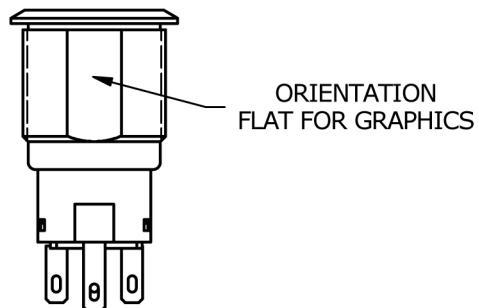
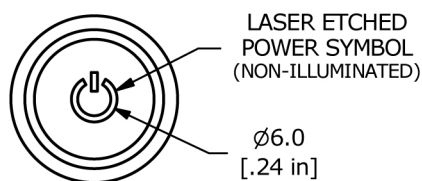
HIGH ACTUATOR



FLAT ACTUATOR

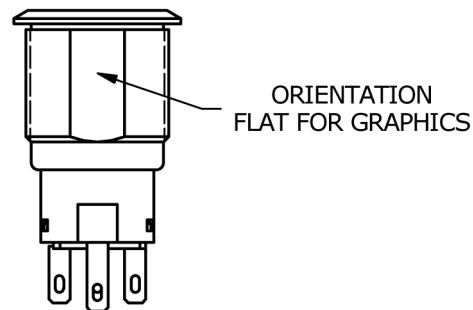
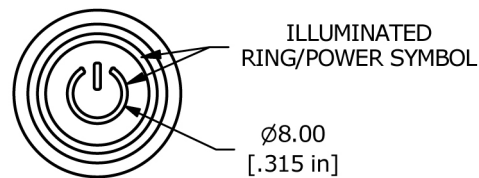
## GRAPHIC OPTIONS

### M01 GRAPHIC



ORIENTATION FLAT FOR GRAPHICS

### M26 GRAPHIC



ORIENTATION FLAT FOR GRAPHICS



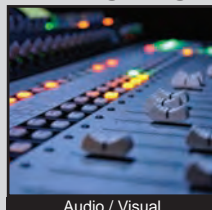
ANTI-VANDAL SWITCHES  
DETECTOR SWITCHES  
DIP SWITCHES  
KEYLOCK SWITCHES  
NAVIGATION SWITCHES  
PUSHBUTTON SWITCHES  
ROCKER SWITCHES  
ROTARY SWITCHES  
SLIDE SWITCHES  
SNAP ACTION SWITCHES  
TACTILE SWITCHES  
TOGGLE SWITCHES  
CAP OPTIONS

# PV5 SERIES ANTI-VANDAL SWITCH

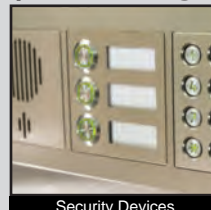
ANTI-VANDAL SWITCHES  
DETECTOR SWITCHES  
DIP SWITCHES  
KEYLOCK SWITCHES  
NAVIGATION SWITCHES  
PUSHBUTTON SWITCHES  
ROCKER SWITCHES  
ROTARY SWITCHES  
SLIDE SWITCHES  
SNAP ACTION SWITCHES  
TACTILE SWITCHES  
TOGGLE SWITCHES  
CAP OPTIONS



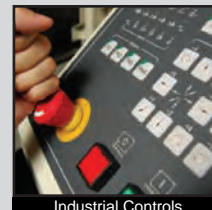
## APPLICATIONS / MARKETS



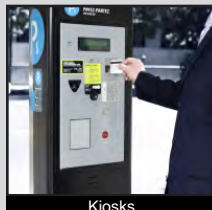
Audio / Visual



Security Devices



Industrial Controls



Kiosks



Electrical Housewares



Medical Equipment

# RoHS

## SPECIFICATIONS

**Electrical Rating:** 2A, 36VDC  
**Mechanical Life:** 1,000,000 Cycles  
**Electrical Life:** 200,000 Cycles  
**Contact Resistance:** 50mΩ Max.  
**Insulation Resistance:** 1000 MΩ Min.  
**Dielectric Strength:** 2,000VAC  
**Operating/Storage Temperature:** -25°C to 55°C  
**Travel:** 2.50mm  
**Moisture Protection:** IP65  
**Contact Arrangement:** SPST Off-(On)  
**Actuation Force:** 5 N  
**Panel Thickness:** 1-5mm  
**Mounting Nut Torque:** 0.3Nm

## FEATURES & BENEFITS

- Multiple actuator finish options
- Solder or screw termination options
- Raised or domed actuator options
- IP65 rated

## PART NUMBER CONFIGURATOR

Series	Actuator Options	Terminal Options	Function Options	Rating Options	Body Finish Options	Actuator Finish Options	Contact Material Options
<input type="text" value="PV5"/>	<input type="text" value="H - Raised&lt;br/&gt;S - Domed"/>	<input type="text" value="2 - Solder&lt;br/&gt;6 - Screw"/>	<input type="text" value="4 - 1 Pole&lt;br/&gt;Off - (On)*"/>	<input type="text" value="0 - 2A, 36VDC"/>	<input type="text" value="N - Nickel&lt;br/&gt;S - Polished Stainless&lt;br/&gt;1 - Black Anodized"/>	<input type="text" value="1 - Black&lt;br/&gt;2 - White&lt;br/&gt;6 - Yellow&lt;br/&gt;7 - Blue&lt;br/&gt;8 - Green&lt;br/&gt;9 - Red&lt;br/&gt;N - Nickel&lt;br/&gt;S - Polished Stainless"/>	<input type="text" value="NONE - Silver&lt;br/&gt;G - Gold"/>

**NOTES:**  
 \*(ON) Denotes function is momentary

Specifications subject to change without notice



**E-SWITCH®**

www.e-switch.com

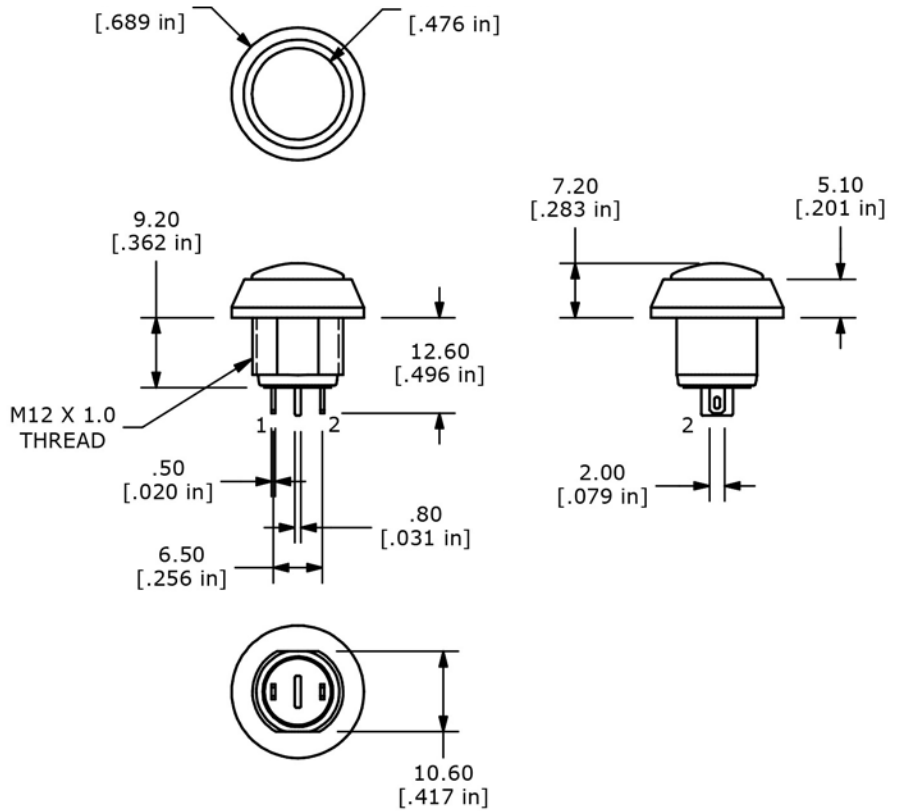
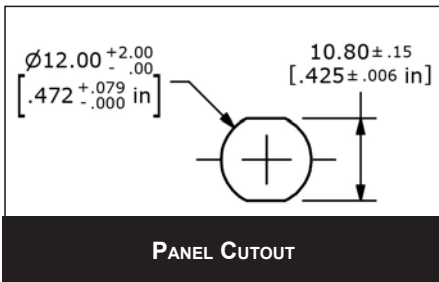
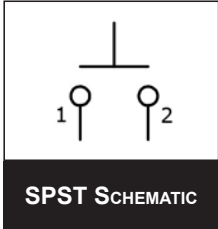
800.867.2717

1

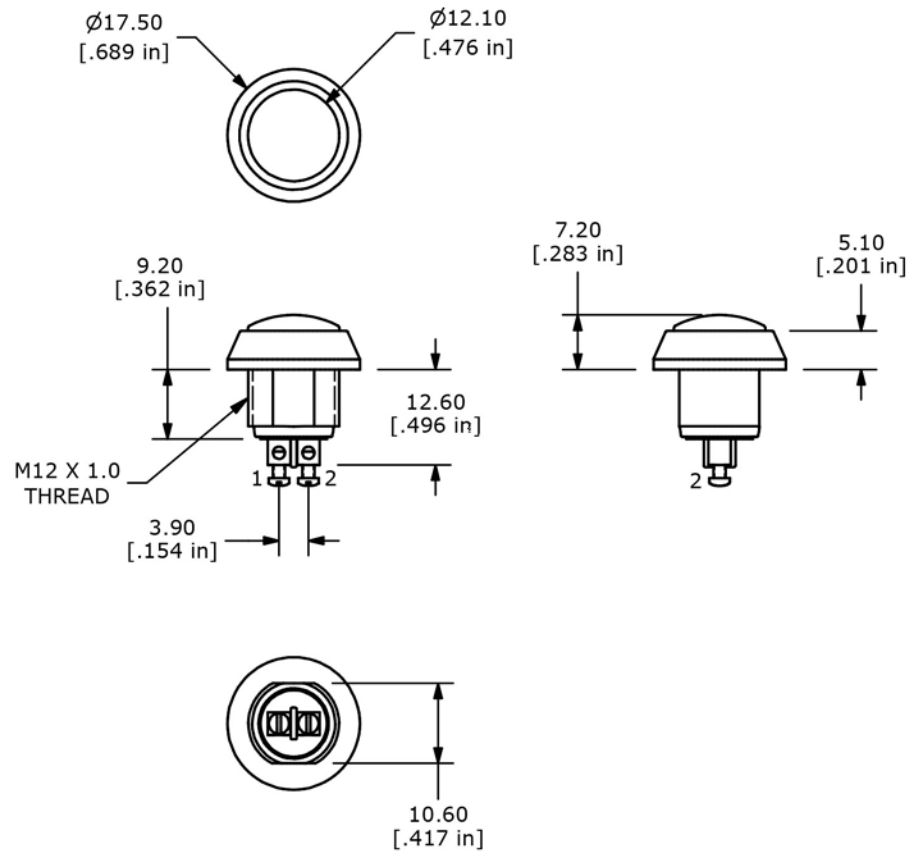
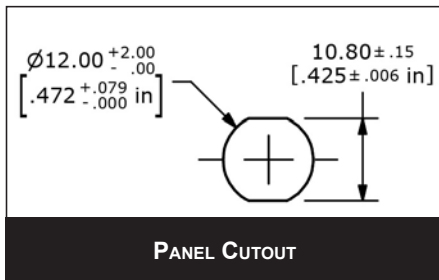
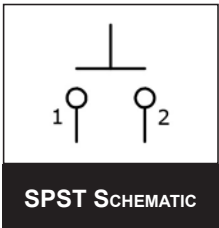
# PV5 SERIES ANTI-VANDAL SWITCH

## BODY DIMENSIONS - FLATS

### SOLDER TERMINATION



### SCREW TERMINATION



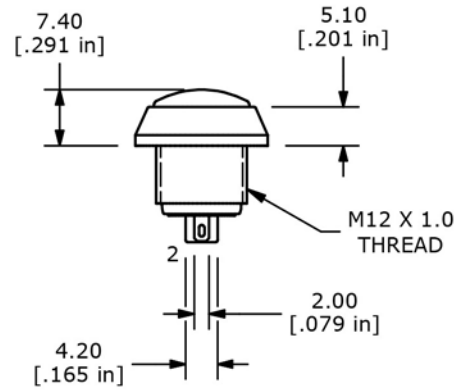
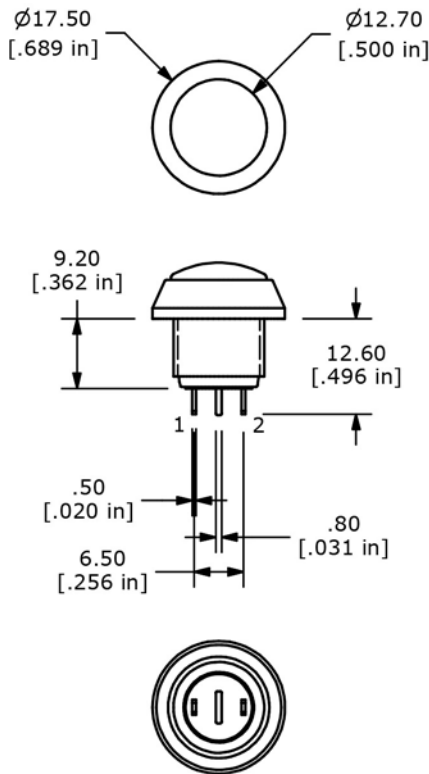
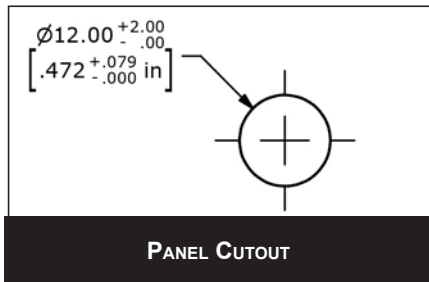
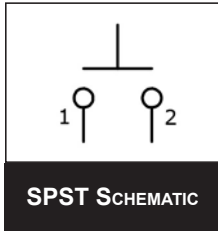
ANTI-VANDAL SWITCHES  
DETECTOR SWITCHES  
DIP SWITCHES  
KEYLOCK SWITCHES  
NAVIGATION SWITCHES  
PUSHBUTTON SWITCHES  
ROCKER SWITCHES  
ROTARY SWITCHES  
SLIDE SWITCHES  
SNAP ACTION SWITCHES  
TACTILE SWITCHES  
TOGGLE SWITCHES  
CAP OPTIONS



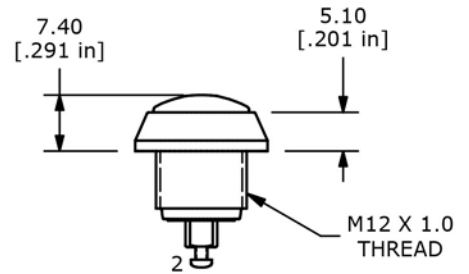
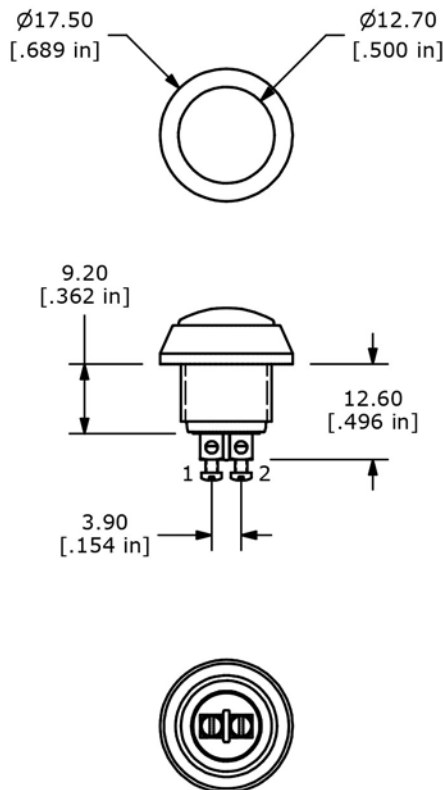
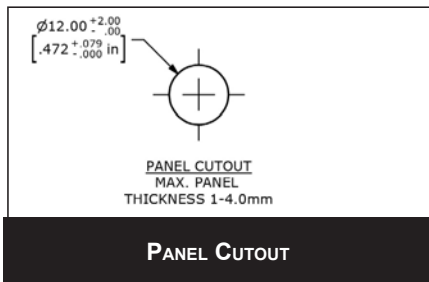
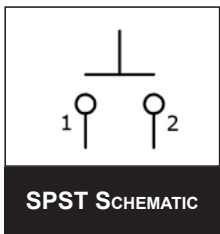
# PV5 SERIES ANTI-VANDAL SWITCH

## BODY DIMENSIONS - NICKEL, BLACK ANODIZED OR STAINLESS

### SOLDER TERMINATION



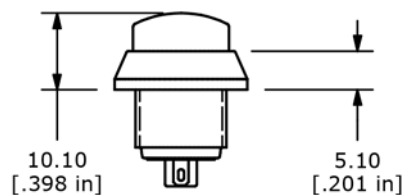
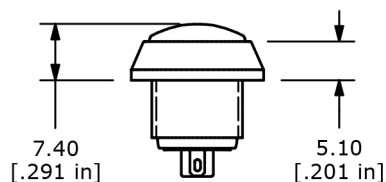
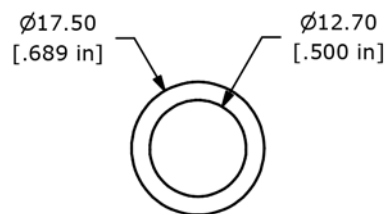
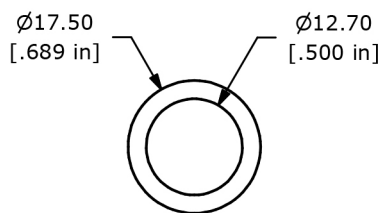
### SCREW TERMINATION



# PV5 SERIES ANTI-VANDAL SWITCH

## ACTUATOR OPTIONS

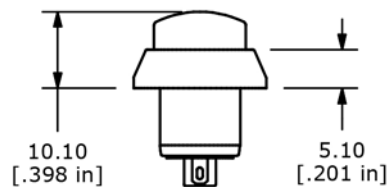
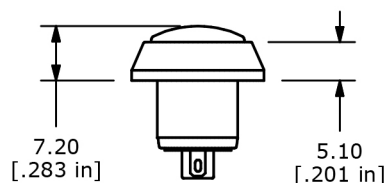
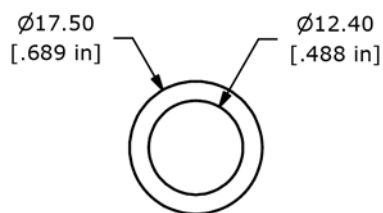
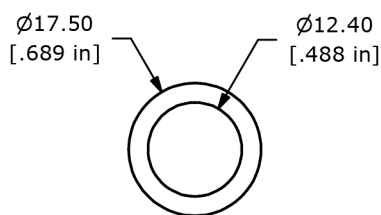
### NICKEL OR STAINLESS



**DOMED ACTUATOR**

**RAISED ACTUATOR**

### BLACK, WHITE, YELLOW, BLUE, GREEN OR RED



**DOMED ACTUATOR**

**RAISED ACTUATOR**

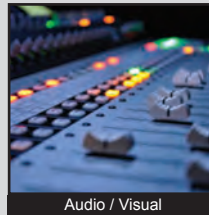


# PV6 SERIES ANTI-VANDAL SWITCH

ANTI-VANDAL SWITCHES  
DETECTOR SWITCHES  
DIP SWITCHES  
KEYLOCK SWITCHES  
NAVIGATION SWITCHES  
PUSHBUTTON SWITCHES  
ROCKER SWITCHES  
ROTARY SWITCHES  
SLIDE SWITCHES  
SNAP ACTION SWITCHES  
TACTILE SWITCHES  
TOGGLE SWITCHES  
CAP OPTIONS



## APPLICATIONS / MARKETS



# RoHS

## SPECIFICATIONS

**Electrical Rating:** 2A, 48VDC  
**Mechanical Life:** 1,000,000 Cycles  
**Electrical Life:** 50,000 Cycles  
**Contact Resistance:** 50mΩ Max.  
**Insulation Resistance:** 1000 MΩ Min.  
**Dielectric Strength:** 2,000VAC  
**Operating/Storage Temperature:** -20°C to 55°C  
**Travel:** 1.50mm  
**Moisture Protection:** IP65  
**Contact Arrangement:** SPST Off-(On)  
**Actuation Force:** 400 gf  
**Panel Thickness:** 1-10mm  
**Mounting Nut Torque:** 5-14Nm

## FEATURES & BENEFITS

- 16mm diameter panel cutout
- RGB LED option
- Dot or ring illumination options available
- Multiple actuator options
- Pilot indicator option
- IP65 rated, Off-(On), SPST

## PART NUMBER CONFIGURATOR

Series	Actuator Options	Terminal Options	Function Options	Rating Options	Body Finish Options	Actuator Finish Options	Contact Material Options	Lens Style Options	LED-Color Options	Illumination Voltage Options
PV6	F - Flat H - High	2 - Solder	4 - Off - (On)* P - Pilot Indicator**	0 - 2A, 48VDC X - Pilot Indicator	N - Nickel Plated S - Stainless Steel 1 - Black Anodized	N - Nickel Plated S - Stainless Steel 1 - Black Anodized	NONE - Silver G - Gold	NONE - Non-Illuminated 2 - Dot Illumination 3 - Ring Illumination	NONE - Non-Illuminated 0 - White 1 - Red 2 - Orange 3 - Green 4 - Blue 5 - Yellow F - Red/Orange G - Red/Green H - Red/Blue J - Red/Yellow K - Orange/Green L - Orange/Blue M - Orange/Yellow R - RGB	NONE - Non-Illuminated 1 - Base Voltage†

**NOTES:**  
 \*(On) denotes function is momentary  
 \*\*Pilot indicator does not have internal switch contacts, only illumination  
 †Base voltage for LED colors red, yellow, and orange is 1.8V @ 20mA  
 ‡Base voltage for LED colors blue, green and white is 2.8V @ 20mA

Specifications subject to change without notice



**E-SWITCH®**

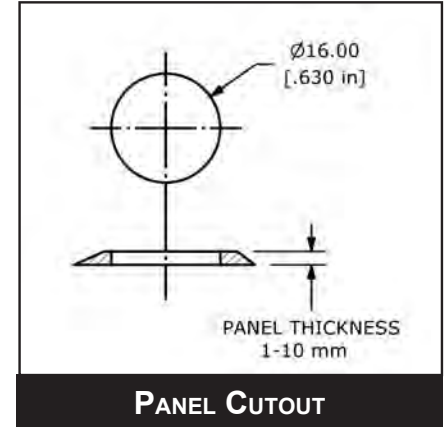
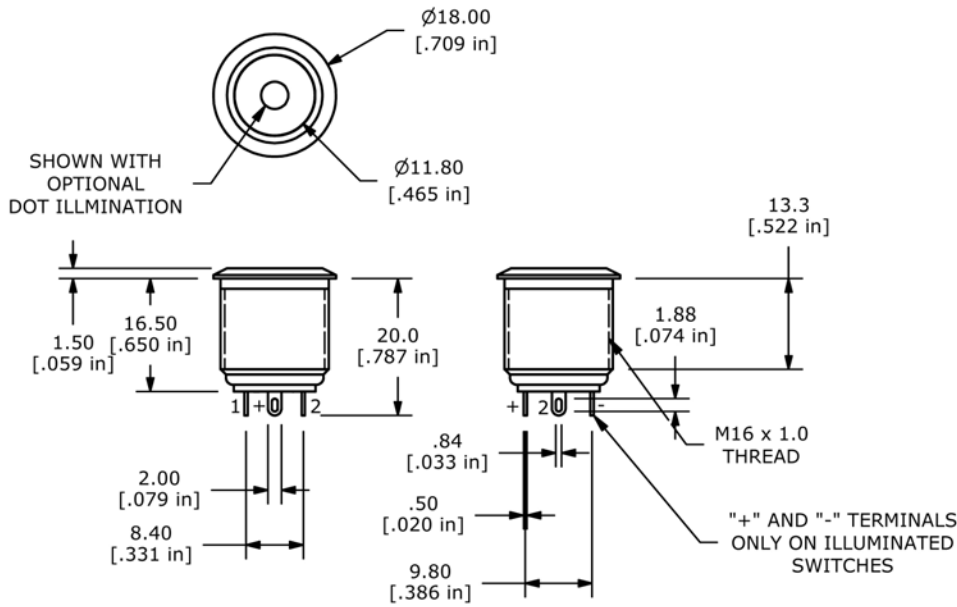
www.e-switch.com

800.867.2717

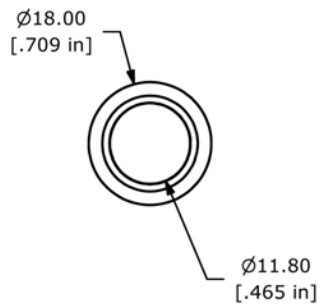
2

# PV6 SERIES ANTI-VANDAL SWITCH

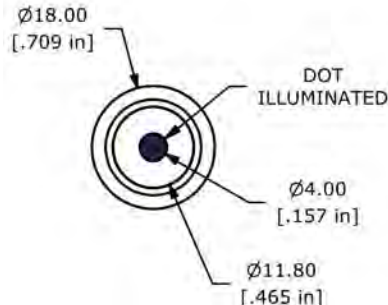
## BODY DIMENSIONS



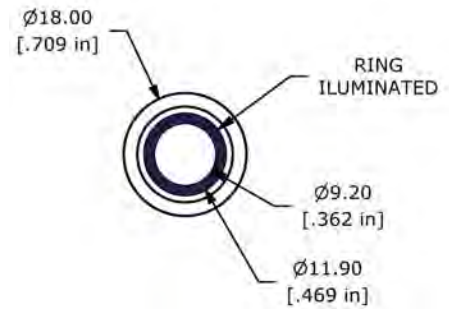
## ILLUMINATION OPTIONS



NON-ILLUMINATED

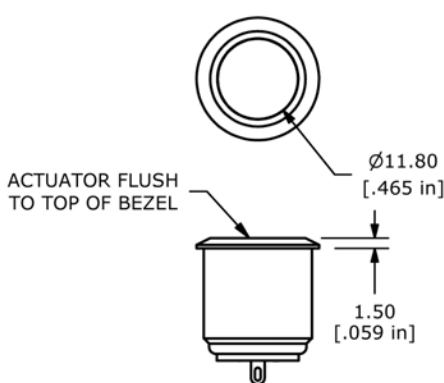


DOT ILLUMINATED

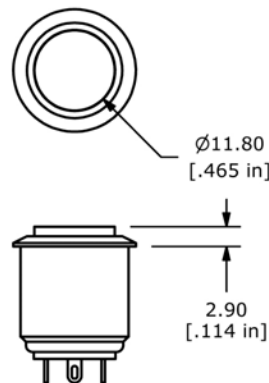


RING ILLUMINATED

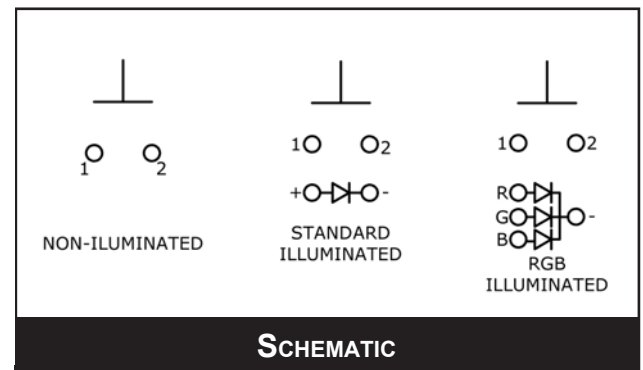
## ACTUATOR OPTIONS



FLAT ACTUATOR



HIGH ACTUATOR

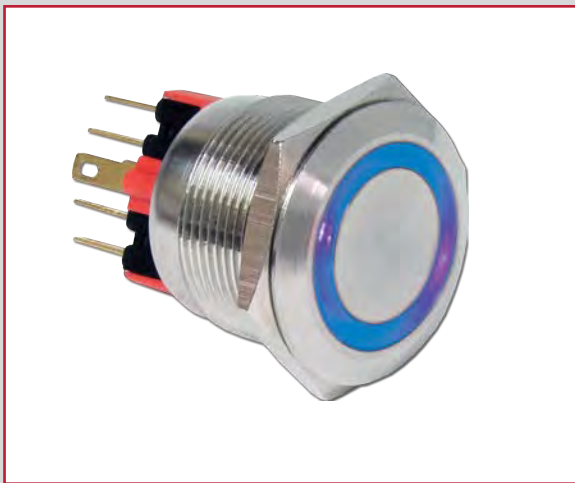


ANTI-VANDAL SWITCHES  
DETECTOR SWITCHES  
DIP SWITCHES  
KEYLOCK SWITCHES  
NAVIGATION SWITCHES  
PUSHBUTTON SWITCHES  
ROCKER SWITCHES  
ROTARY SWITCHES  
SLIDE SWITCHES  
SNAP ACTION SWITCHES  
TACTILE SWITCHES  
TOGGLE SWITCHES  
CAP OPTIONS

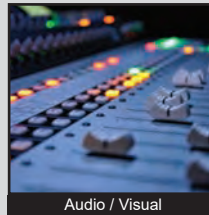


# PV7 SERIES ANTI-VANDAL SWITCH

ANTI-VANDAL SWITCHES  
DETECTOR SWITCHES  
DIP SWITCHES  
KEYLOCK SWITCHES  
NAVIGATION SWITCHES  
PUSHBUTTON SWITCHES  
ROCKER SWITCHES  
ROTARY SWITCHES  
SLIDE SWITCHES  
SNAP ACTION SWITCHES  
TACTILE SWITCHES  
TOGGLE SWITCHES  
CAP OPTIONS



## APPLICATIONS / MARKETS



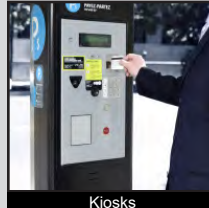
Audio / Visual



Security Devices



Industrial Controls



Kiosks



Electrical Housewares



Medical Equipment

# RoHS

## SPECIFICATIONS

**Electrical Rating:** 2A, 48VDC  
**Electrical Life:** 50,000 Cycles  
**Contact Resistance:** 50mΩ Max.  
**Insulation Resistance:** 1000 MΩ Min. @ 500VDC  
**Dielectric Strength:** 2,000VAC  
**Operating/Storage Temperature:** -20°C to 55°C  
**Travel:** 2.20mm  
**Moisture Protection:** IP65  
**Contact Arrangement:** SPDT  
**Actuation Force:** 4 N  
**Panel Thickness:** 1-8mm for Y Function  
 1-12mm for T function  
**Mounting Nut Torque:** 5-14Nm

## FEATURES & BENEFITS

- 22mm diameter panel cutout
- RGB LED option
- Dot, ring or power symbol illumination available
- Multiple function options
- IP65 rated
- SPDT

## PART NUMBER CONFIGURATOR

Series	Actuator Options	Terminal Options	Function Options	Rating Options	Body Finish Options	Actuator Finish Options	Lens Style Options	LED-Color Options	Illumination Voltage Options	Graphic (Optional)
<input type="text" value="PV7"/>	<input type="text" value="F - Flat"/>	<input type="text" value="2 - Solder"/>	<input type="text" value="T - 1 Pole Off - On&lt;br/&gt;1 Pole On - Off&lt;br/&gt;Y - 1 Pole Off - (On)&lt;br/&gt;1 Pole On - (Off)"/>	<input type="text" value="0 - 2A,&lt;br/&gt;48VDC"/>	<input type="text" value="N - Nickel Plated&lt;br/&gt;S - Stainless Steel&lt;br/&gt;1 - Black Anodized"/>	<input type="text" value="N - Nickel Plated&lt;br/&gt;S - Stainless Steel&lt;br/&gt;1 - Black Anodized"/>	<input type="text" value="NONE - Non-Illuminated&lt;br/&gt;2 - Dot Illumination&lt;br/&gt;3 - Ring Illumination"/>	<input type="text" value="NONE - Non-Illuminated&lt;br/&gt;0 - White&lt;br/&gt;1 - Red&lt;br/&gt;2 - Orange&lt;br/&gt;3 - Green&lt;br/&gt;4 - Blue&lt;br/&gt;5 - Yellow&lt;br/&gt;F - Red/Orange&lt;br/&gt;G - Red/Green&lt;br/&gt;H - Red/Blue&lt;br/&gt;J - Red/Yellow&lt;br/&gt;K - Orange/Green&lt;br/&gt;L - Orange/Blue&lt;br/&gt;M - Orange/Yellow&lt;br/&gt;R - RGB LED"/>	<input type="text" value="1 - Base Voltage&lt;br/&gt;3 - 6V&lt;br/&gt;4 - 12V&lt;br/&gt;5 - 24V&lt;br/&gt;6 - 125V&lt;br/&gt;7 - 250V"/>	<input type="text" value="M01 - Power symbol (sm) laser etched&lt;br/&gt;M03 - Power symbol illuminated&lt;br/&gt;M16 - Power symbol (lg) laser etched"/>

**NOTES:**  
 \*( ) denotes function is momentary

Specifications subject to change without notice



**E-SWITCH®**

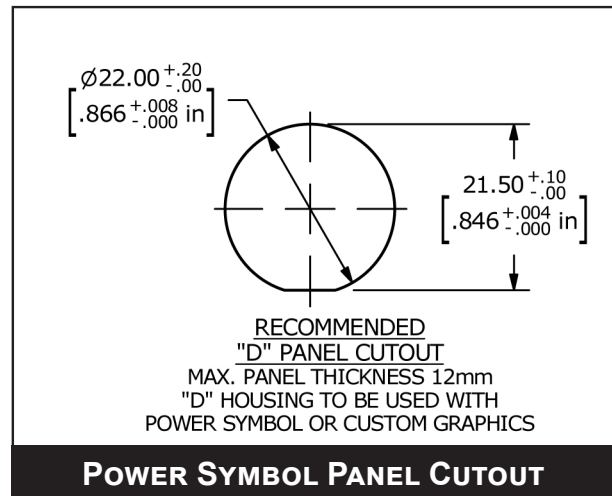
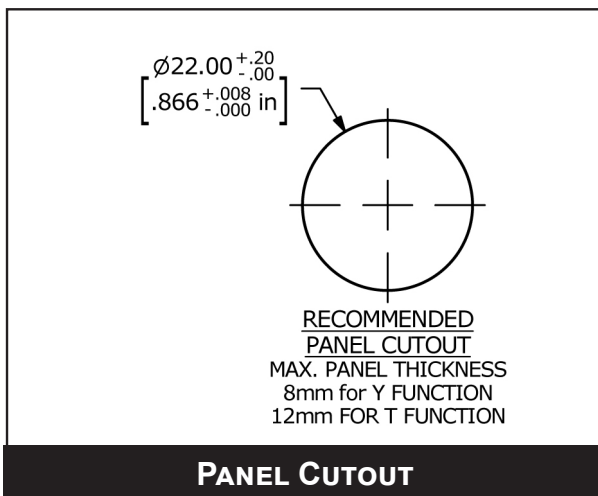
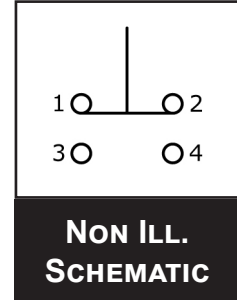
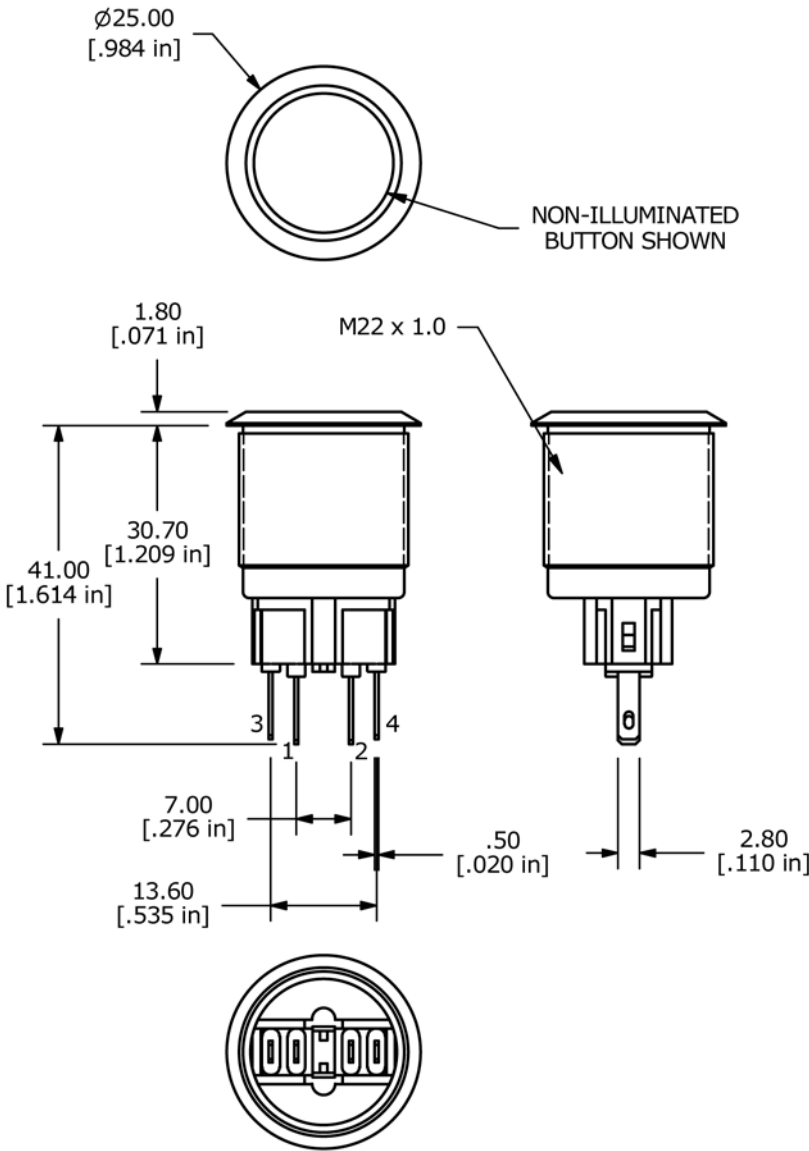
www.e-switch.com

800.867.2717

2

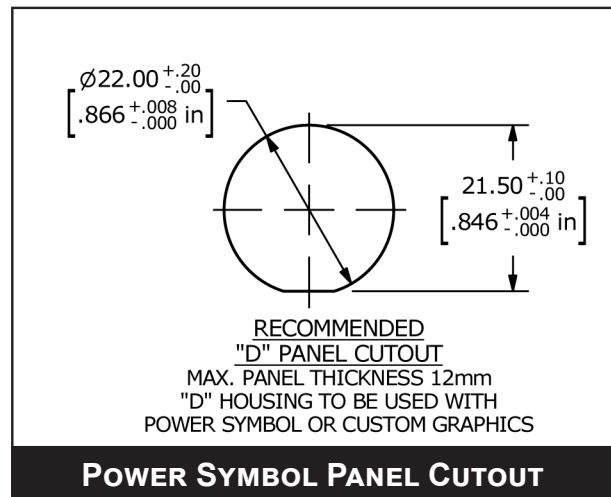
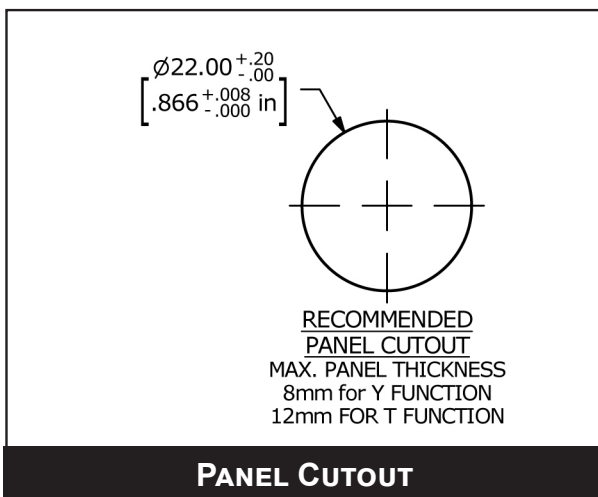
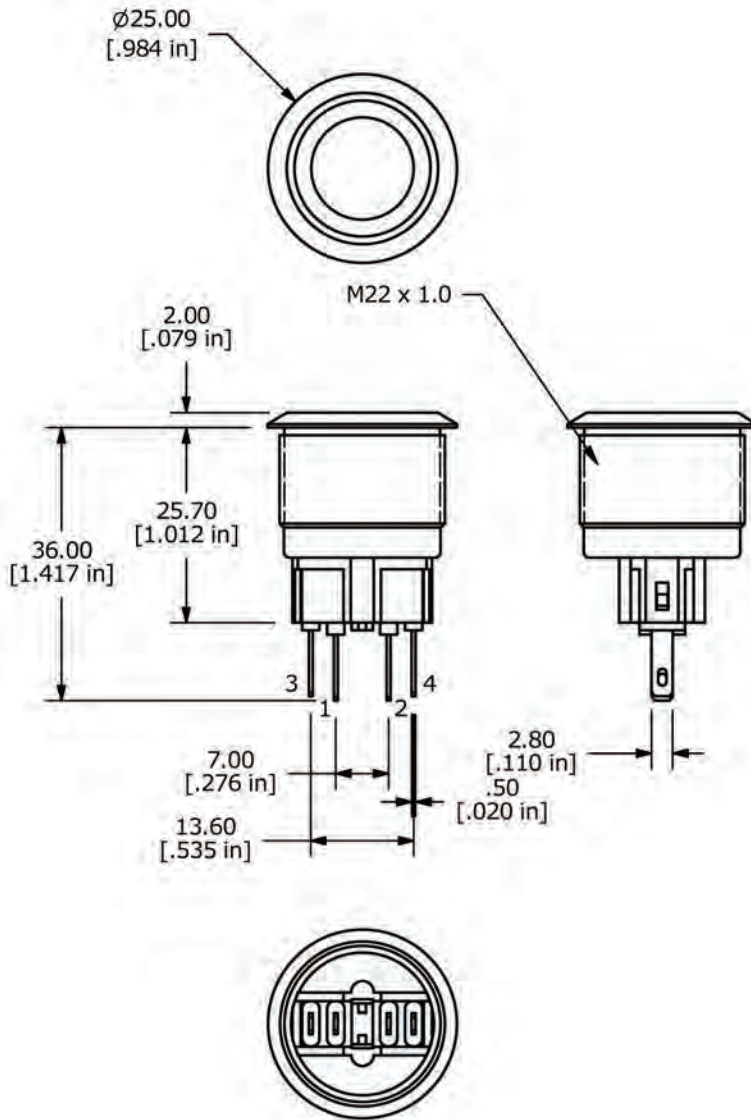
# PV7 SERIES ANTI-VANDAL SWITCH

## NON ILLUMINATED T FUNCTION



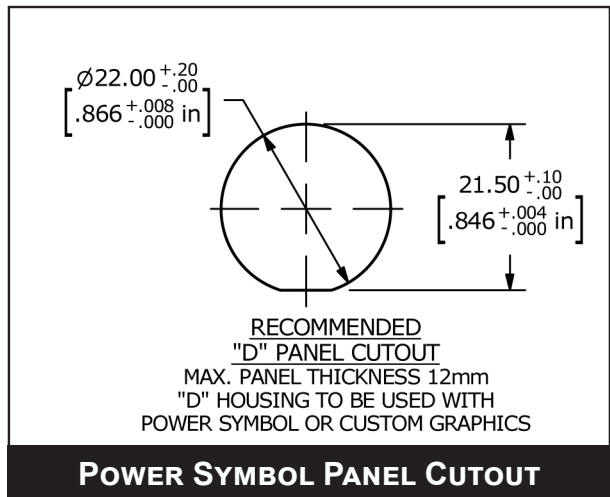
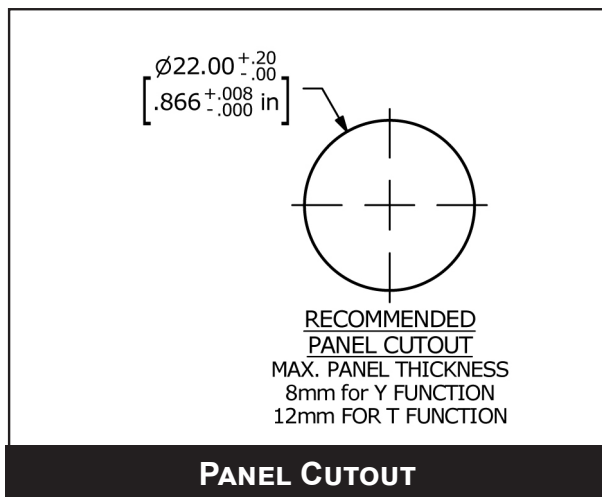
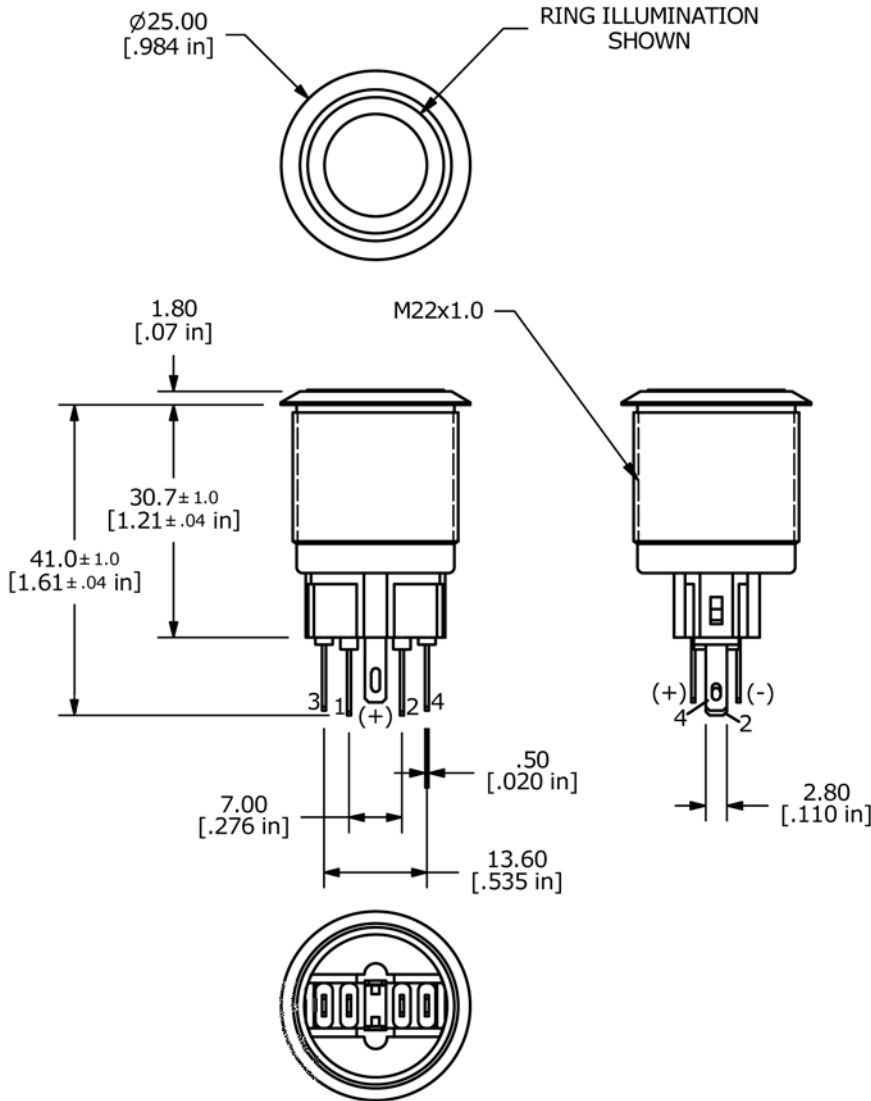
# PV7 SERIES ANTI-VANDAL SWITCH

## NON ILLUMINATED Y FUNCTION



# PV7 SERIES ANTI-VANDAL SWITCH

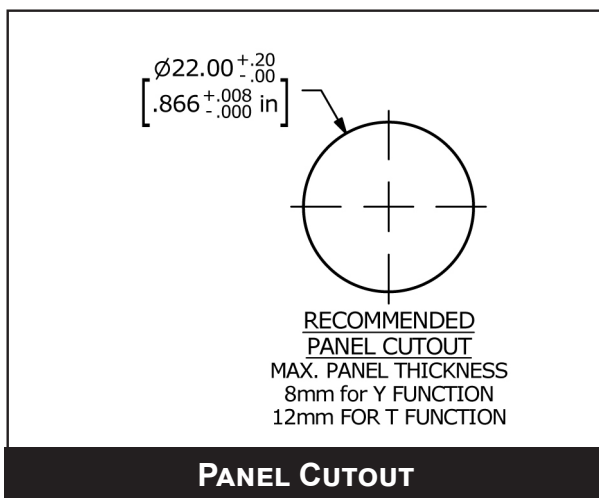
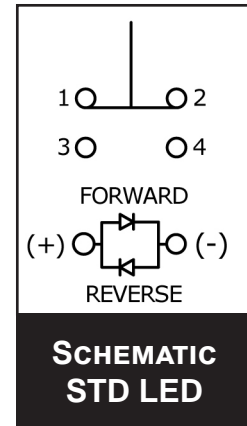
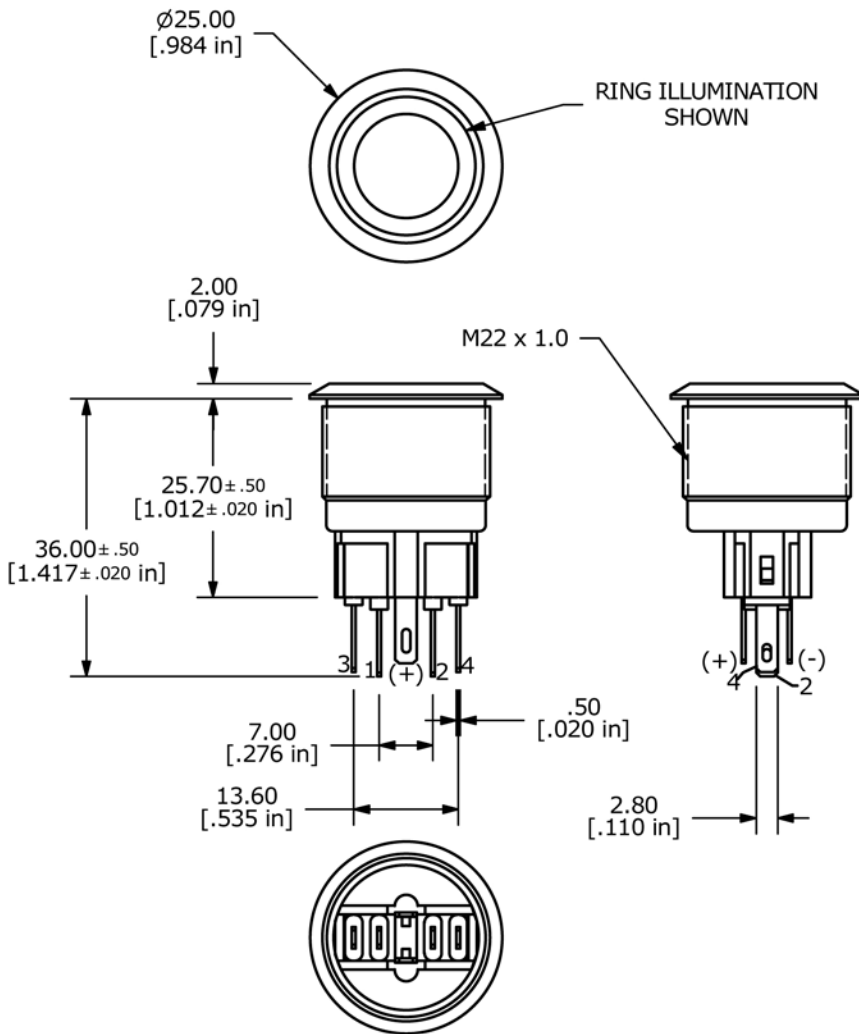
## STANDARD LED T FUNCTION



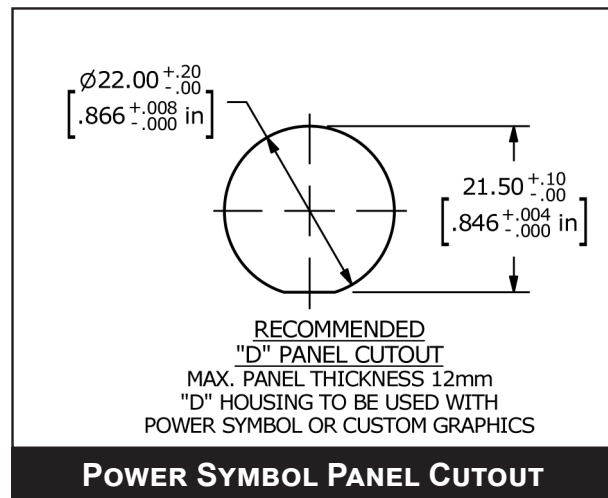


# PV7 SERIES ANTI-VANDAL SWITCH

## STANDARD LED Y FUNCTION



**PANEL CUTOUT**

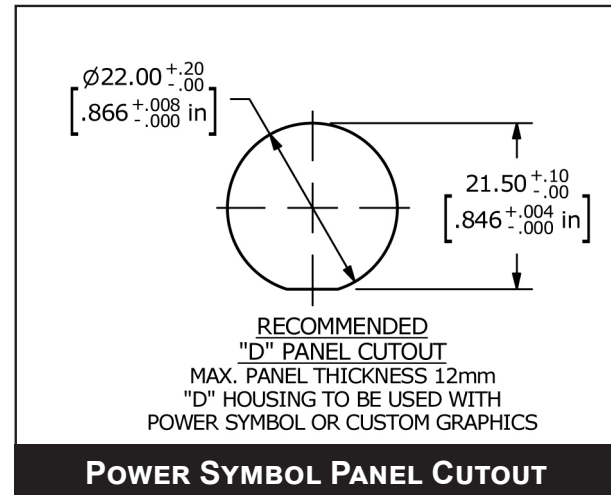
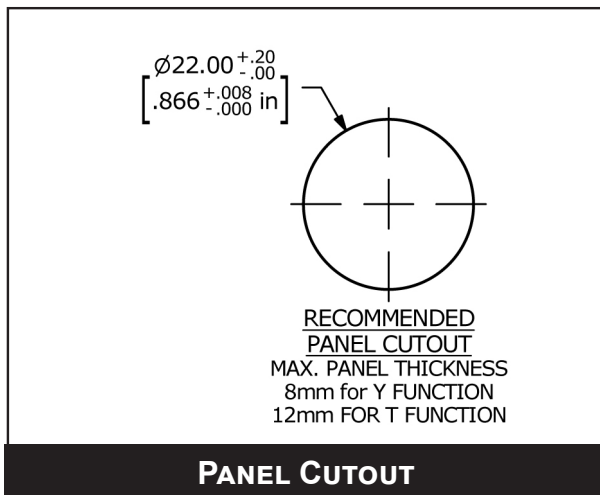
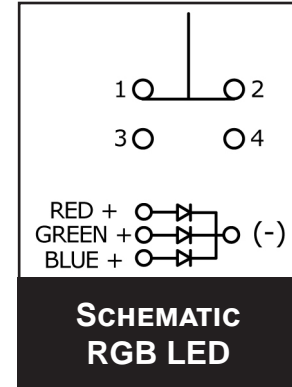
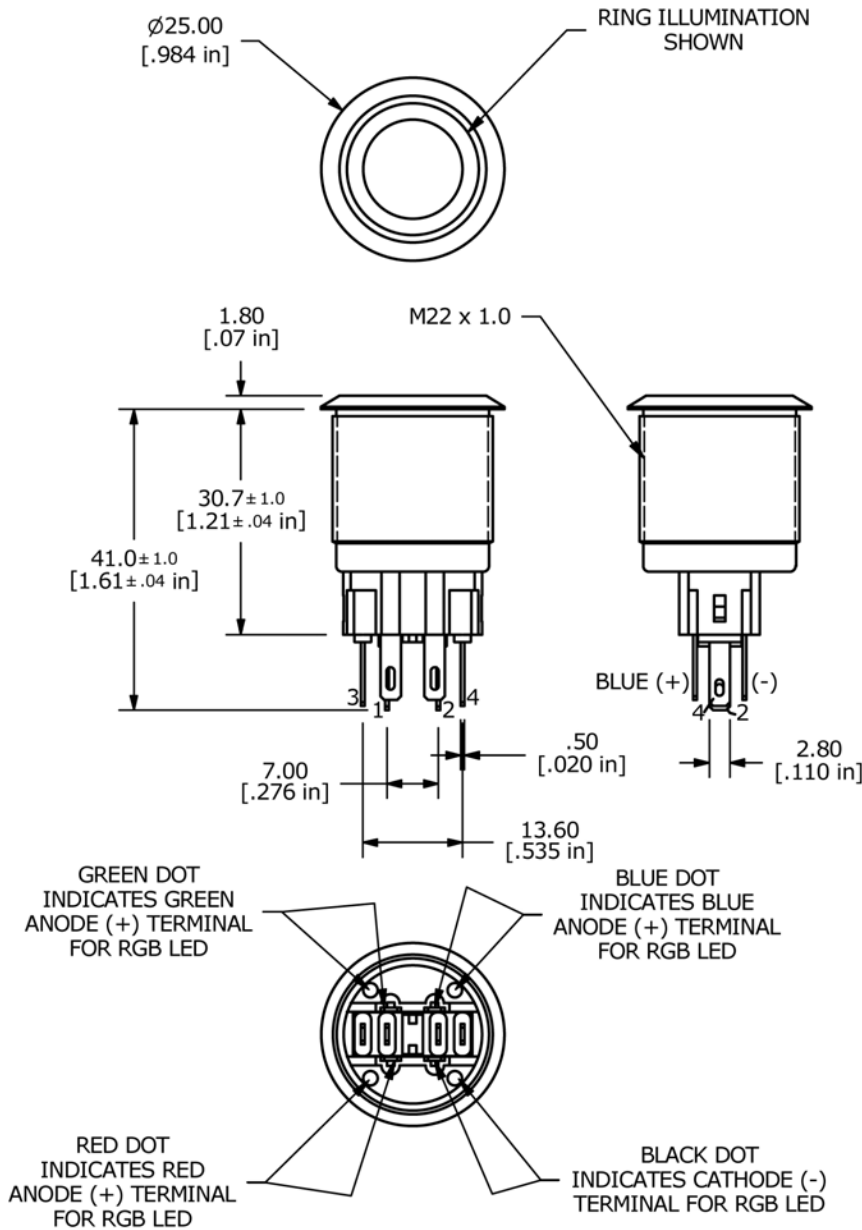


**POWER SYMBOL PANEL CUTOUT**



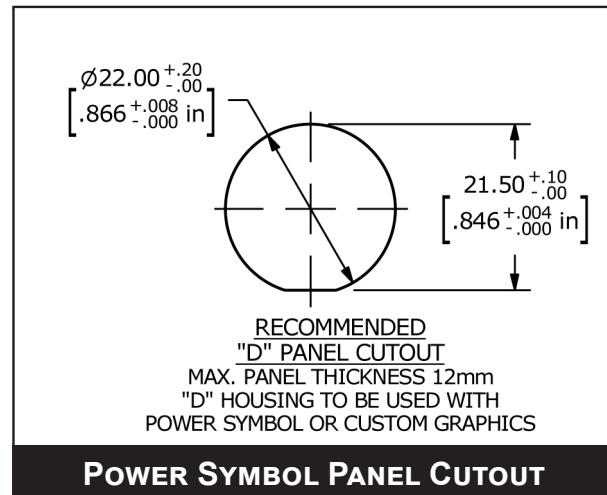
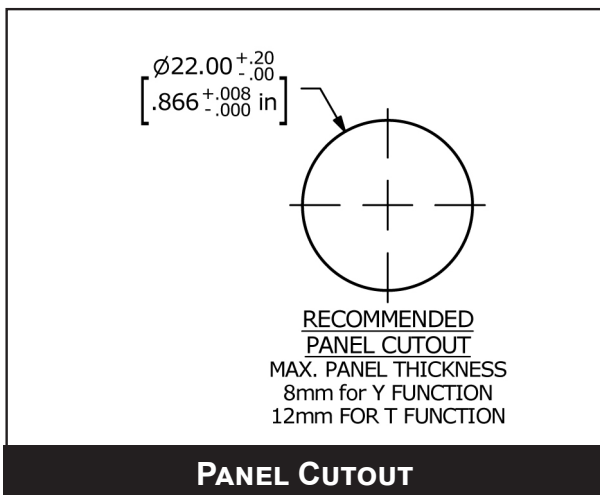
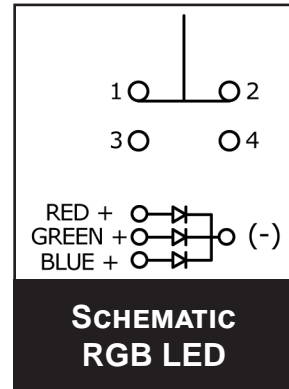
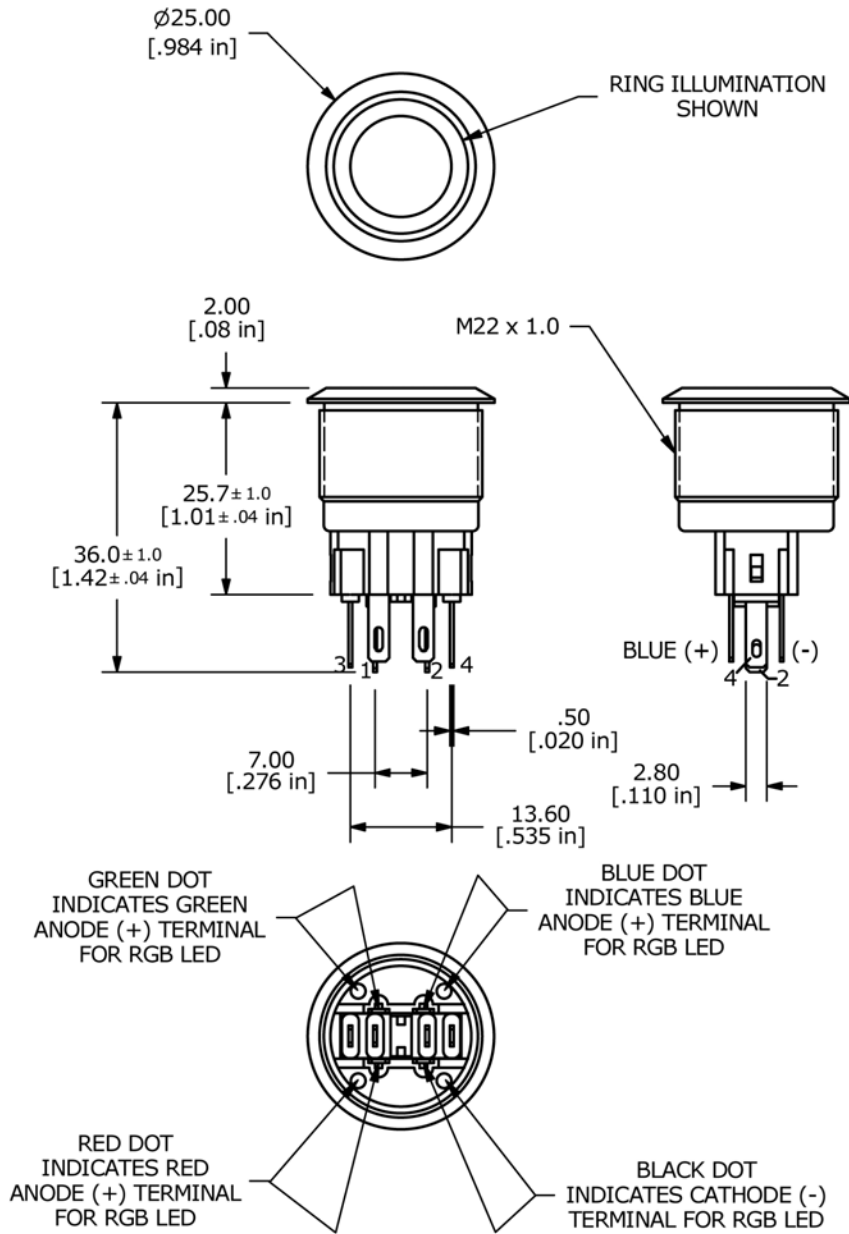
# PV7 SERIES ANTI-VANDAL SWITCH

## RGB LED T FUNCTION



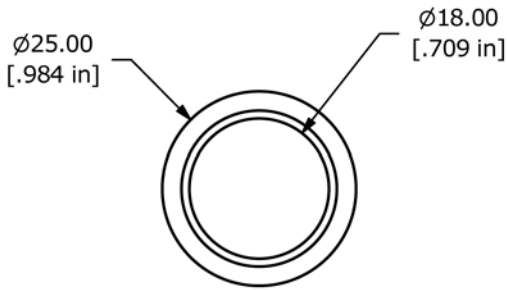
# PV7 SERIES ANTI-VANDAL SWITCH

## RGB LED Y FUNCTION

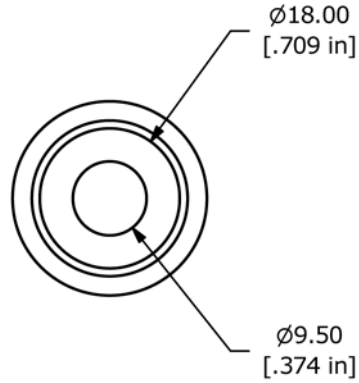


# PV7 SERIES ANTI-VANDAL SWITCH

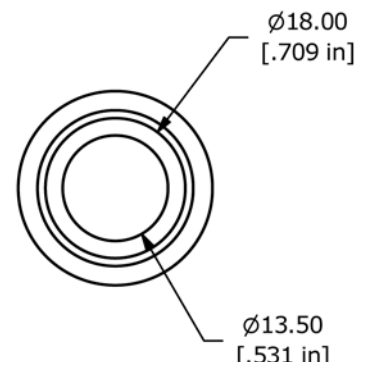
## ACTUATOR OPTIONS



FLAT NON-ILLUMINATED



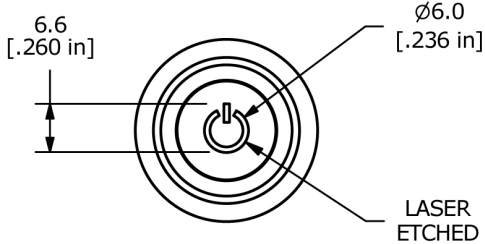
FLAT DOT ILLUMINATED



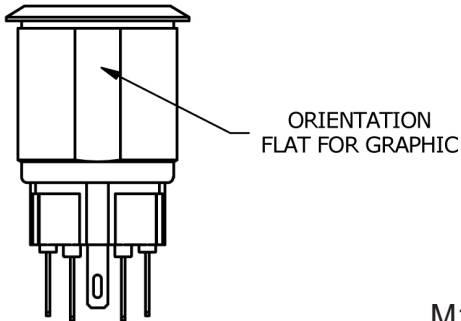
FLAT RING ILLUMINATED

## GRAPHIC OPTIONS

### M01 GRAPHIC

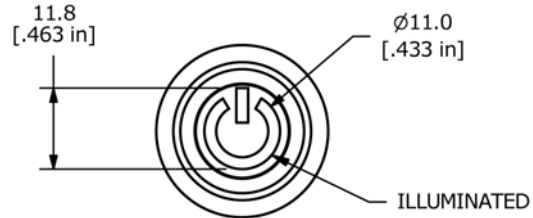


LASER ETCHED

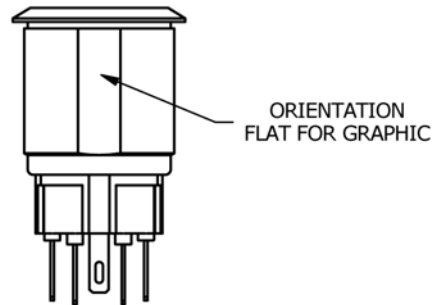


ORIENTATION FLAT FOR GRAPHIC

### M03 GRAPHIC

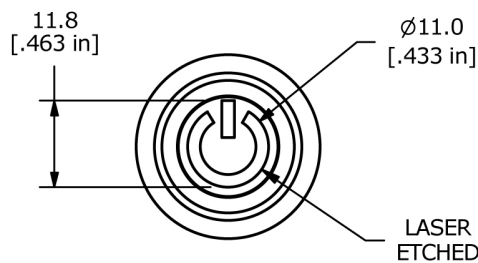


ILLUMINATED

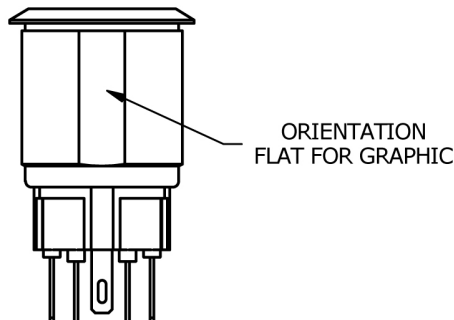


ORIENTATION FLAT FOR GRAPHIC

### M16 GRAPHIC



LASER ETCHED



ORIENTATION FLAT FOR GRAPHIC

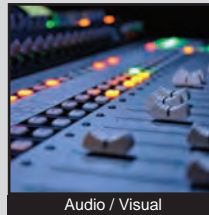


# PV8 SERIES ANTI-VANDAL SWITCH

ANTI-VANDAL SWITCHES  
DETECTOR SWITCHES  
DIP SWITCHES  
KEYLOCK SWITCHES  
NAVIGATION SWITCHES  
PUSHBUTTON SWITCHES  
ROCKER SWITCHES  
ROTARY SWITCHES  
SLIDE SWITCHES  
SNAP ACTION SWITCHES  
TACTILE SWITCHES  
TOGGLE SWITCHES  
CAP OPTIONS



## APPLICATIONS / MARKETS



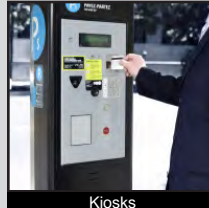
Audio / Visual



Security Devices



Industrial Controls



Kiosks



Electrical Housewares



Medical Equipment

# RoHS

## SPECIFICATIONS

**Electrical Rating:** 2A, 48VDC  
**Electrical Life:** 50,000 Cycles  
**Contact Resistance:** 50mΩ Max.  
**Insulation Resistance:** 1000 MΩ Min. @ 500VDC  
**Dielectric Strength:** 2,000VAC  
**Operating/Storage Temperature:** -20°C to 55°C  
**Travel:** 2.80mm  
**Moisture Protection:** IP65  
**Contact Arrangement:** SPDT & DPDT  
**Actuation Force:** 6.5 N  
**Panel Thickness:** 1-10mm for Momentary  
 1-12mm for Maintained  
**Mounting Nut Torque:** 5-14Nm

## FEATURES & BENEFITS

- 25mm diameter panel cutout
- LED color options
- Dot, ring or power symbol illumination available
- Multiple function options
- IP65 rated
- SPDT & DPDT arrangements

## PART NUMBER CONFIGURATOR

Series	Actuator Options	Terminal Options	Function Options	Rating Options	Body Finish Options	Actuator Finish Options	Lens Style Options	LED-Color Options	Illumination Voltage Options	Graphic (Optional)
<input type="text" value="PV8"/>	<input type="text" value="F - Flat"/>	<input type="text" value="2 - Solder"/>	<input type="text" value="T - 2 Pole&lt;br/&gt;1P Off-On +&lt;br/&gt;1P On-Off&lt;br/&gt;Y - 2 Pole&lt;br/&gt;1P Off-(On) +&lt;br/&gt;1P On-(Off)&lt;br/&gt;U - 4 Pole&lt;br/&gt;2P Off-On +&lt;br/&gt;2P On-Off&lt;br/&gt;V - 4 Pole&lt;br/&gt;2P Off-(On) +&lt;br/&gt;2P On-(Off)"/>	<input type="text" value="0 - 2A,&lt;br/&gt;48VDC"/>	<input type="text" value="1 - Black&lt;br/&gt;Anodized&lt;br/&gt;N - Nickel&lt;br/&gt;Plated&lt;br/&gt;S - Stainless&lt;br/&gt;Steel"/>	<input type="text" value="1 - Black&lt;br/&gt;Anodized&lt;br/&gt;N - Nickel&lt;br/&gt;Plated&lt;br/&gt;S - Stainless&lt;br/&gt;Steel"/>	<input type="text" value="NONE - Non-&lt;br/&gt;Illuminated&lt;br/&gt;2 - Dot&lt;br/&gt;Illumination&lt;br/&gt;3 - Ring&lt;br/&gt;Illumination"/>	<input type="text" value="NONE - Non-&lt;br/&gt;Illuminated&lt;br/&gt;0 - White&lt;br/&gt;1 - Red&lt;br/&gt;2 - Orange&lt;br/&gt;3 - Green&lt;br/&gt;4 - Blue&lt;br/&gt;5 - Yellow"/>	<input type="text" value="1 - Base Voltage&lt;br/&gt;3 - 6V&lt;br/&gt;4 - 12V&lt;br/&gt;5 - 24V&lt;br/&gt;6 - 125V&lt;br/&gt;7 - 250V"/>	<input type="text" value="M11 - Power&lt;br/&gt;symbol laser&lt;br/&gt;etched&lt;br/&gt;M14 - Power&lt;br/&gt;symbol / Ring&lt;br/&gt;Illumination"/>

**NOTES:**  
 \*() denotes function is momentary

Specifications subject to change without notice 12.22.2017



**E-SWITCH®**

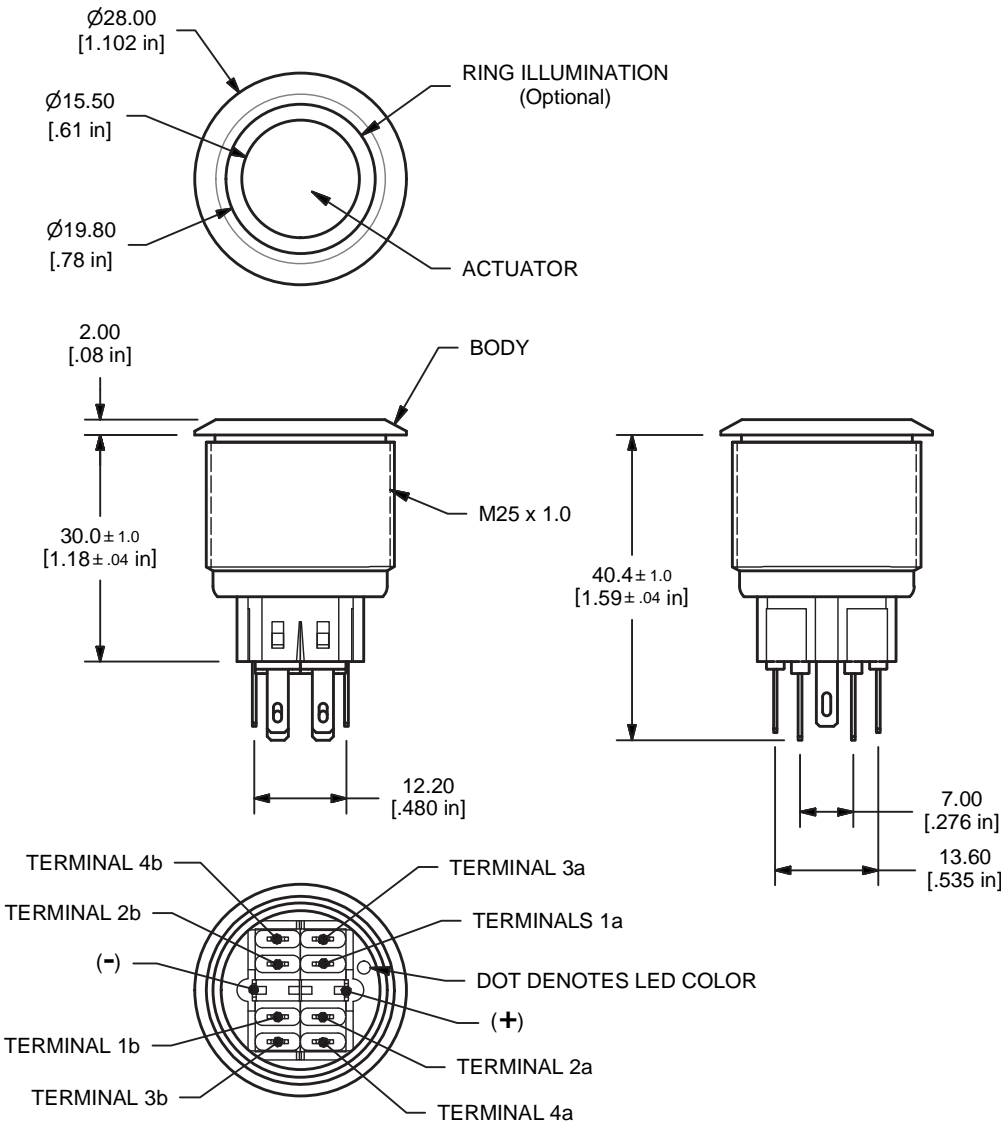
www.e-switch.com

800.867.2717

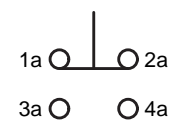
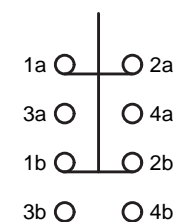
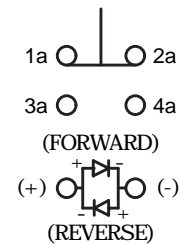
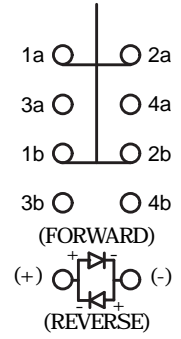
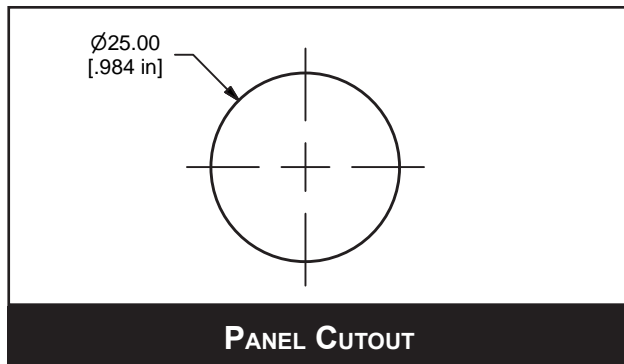
1

# PV8 SERIES ANTI-VANDAL SWITCH

## MAINTAINED (LATCHING) FUNCTION "T" AND "U"



\* DPDT (Function "U") Terminals 1a - 4a and 1b - 4b (AS SHOWN)  
 SPDT (Function "T") Terminals 1a - 4a  
 Terminals (-) and (+) used with Illuminated option only



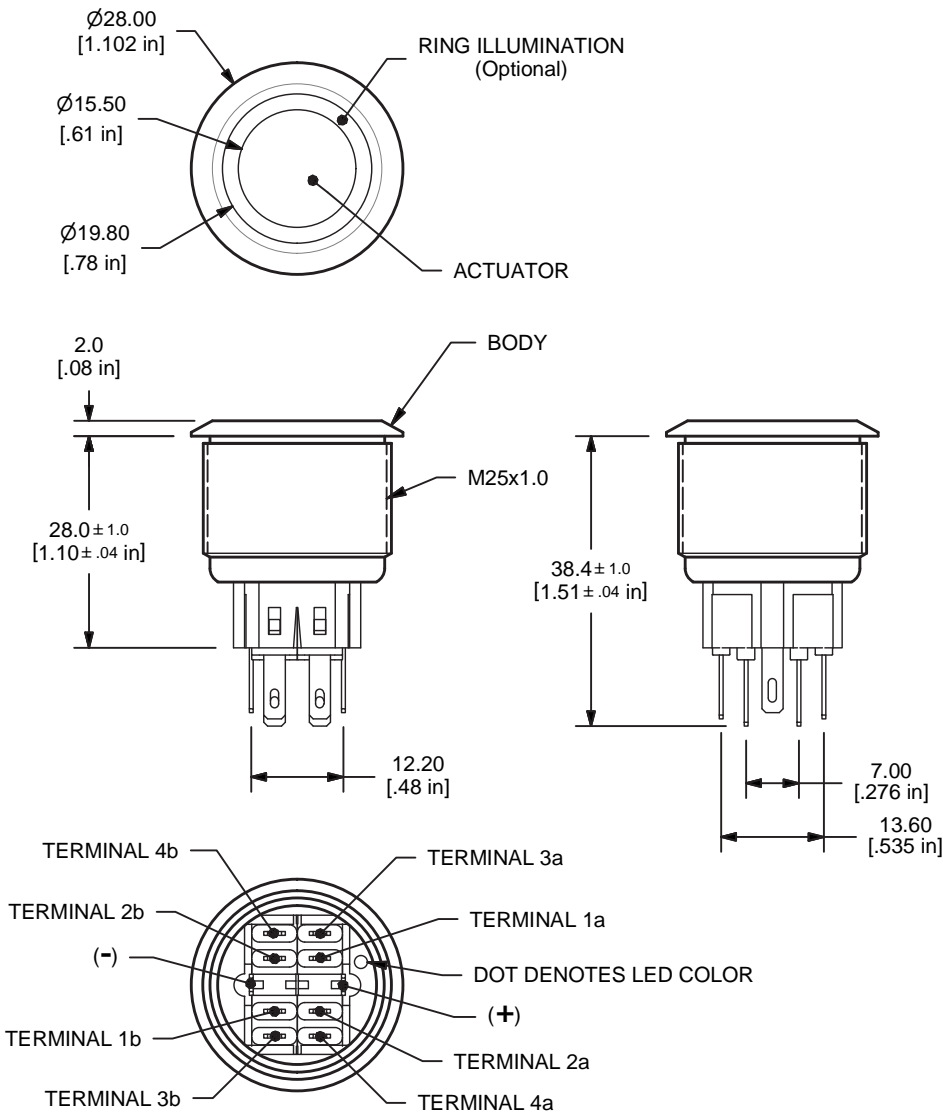
**SCHEMATIC**

ANTI-VANDAL SWITCHES  
 DETECTOR SWITCHES  
 DIP SWITCHES  
 KEYLOCK SWITCHES  
 NAVIGATION SWITCHES  
 PUSHBUTTON SWITCHES  
 ROCKER SWITCHES  
 ROTARY SWITCHES  
 SLIDE SWITCHES  
 SNAP ACTION SWITCHES  
 TACTILE SWITCHES  
 TOGGLE SWITCHES  
 CAP OPTIONS

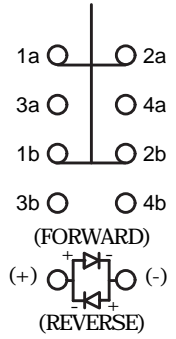
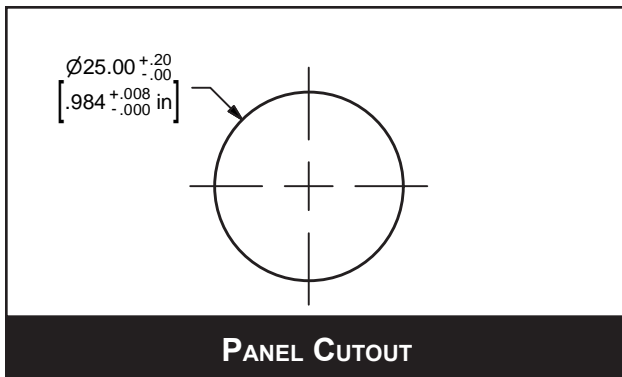


# PV8 SERIES ANTI-VANDAL SWITCH

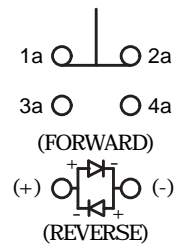
## MOMENTARY FUNCTION "Y" AND "V"



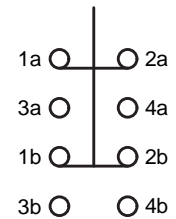
\* DPDT (Function "V") Terminals 1a - 4a and 1b - 4b (AS SHOWN)  
 SPDT (Function "Y") Terminals 1a - 4a  
 Terminals (-) and (+) used with Illuminated option only



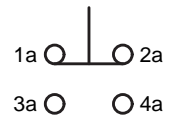
DPDT ON (OFF) / OFF (ON)  
CONTACT CONFIGURATION  
ILLUMINATED  
FUNCTION "V"



SPDT ON (OFF) / OFF (ON)  
CONTACT CONFIGURATION  
ILLUMINATED  
FUNCTION "Y"



DPDT ON (OFF) / OFF (ON)  
CONTACT CONFIGURATION  
NON-ILLUMINATED  
FUNCTION "V"



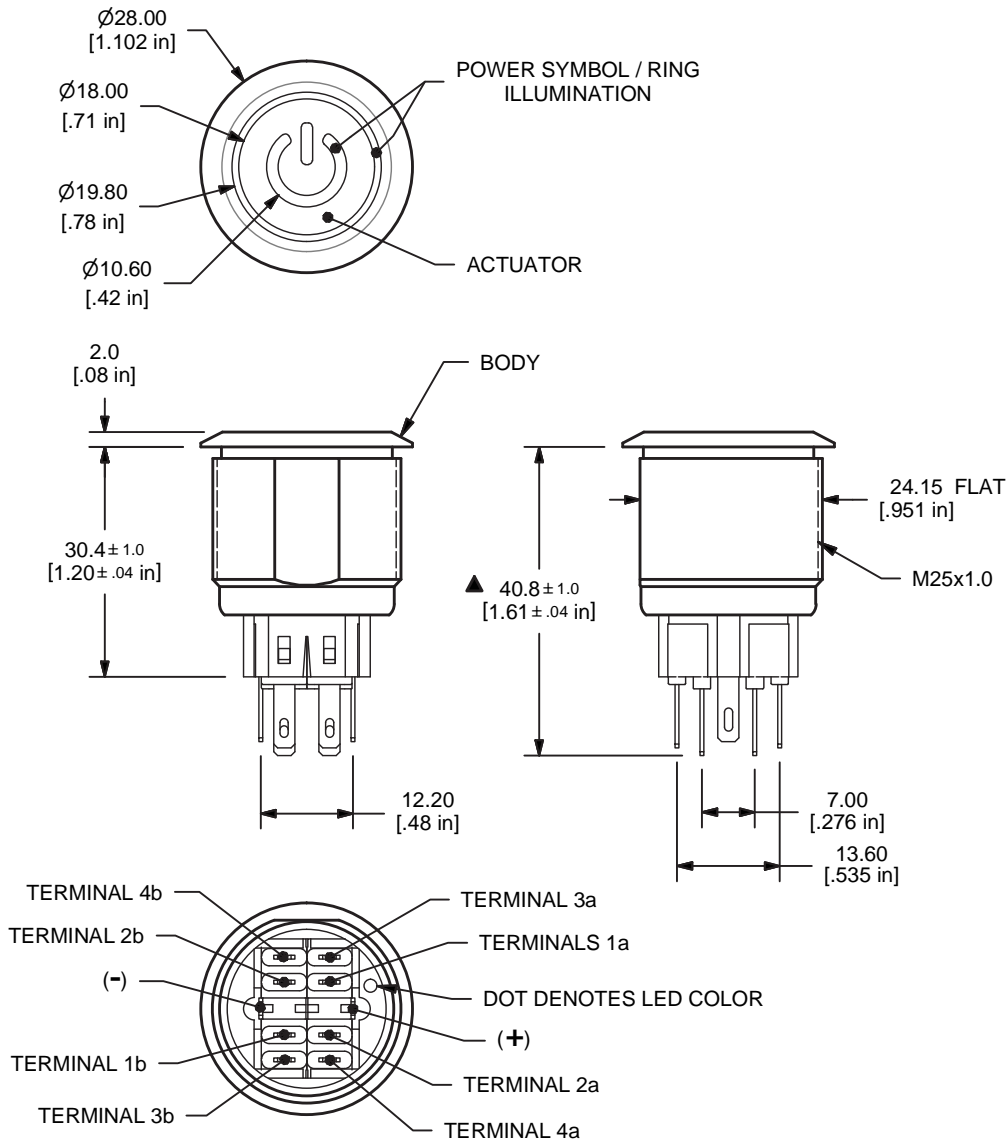
SPDT ON (OFF) / OFF (ON)  
CONTACT CONFIGURATION  
NON-ILLUMINATED  
FUNCTION "Y"

**SCHEMATIC**

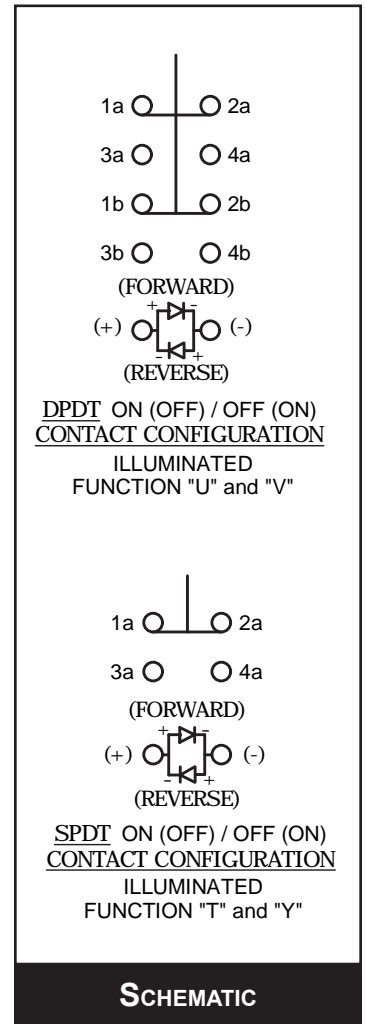
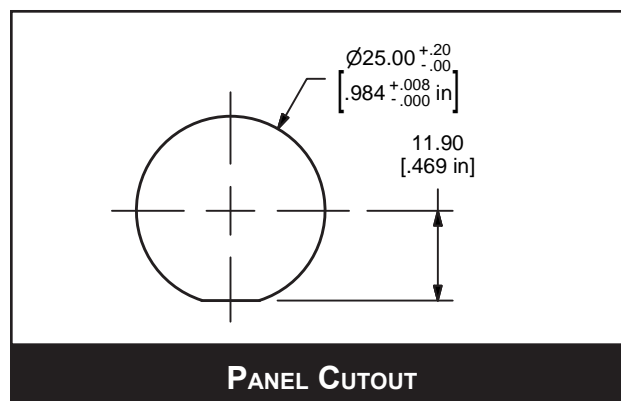


# PV8 SERIES ANTI-VANDAL SWITCH

## ILLUMINATED RING WITH POWER SYMBOL



\* DPDT (Function "U" and "V") Terminals 1a - 4a and 1b - 4b (AS SHOWN)  
 SPDT (Function "T" and "Y") Terminals 1a - 4a



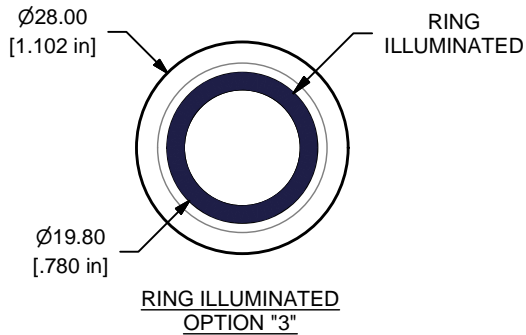
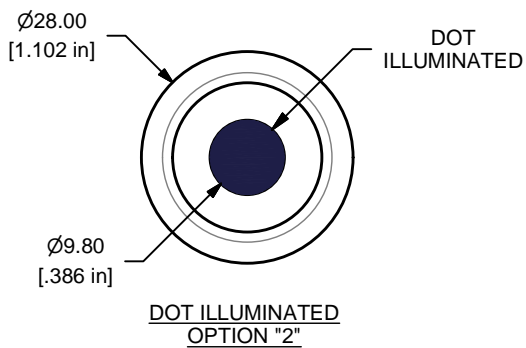
ANTI-VANDAL SWITCHES  
 DETECTOR SWITCHES  
 SWITCHES  
 DIP SWITCHES  
 KEYLOCK SWITCHES  
 NAVIGATION SWITCHES  
 PUSHBUTTON SWITCHES  
 ROCKER SWITCHES  
 ROTARY SWITCHES  
 SLIDE SWITCHES  
 SNAP ACTION SWITCHES  
 TACTILE SWITCHES  
 TOGGLE SWITCHES  
 CAP OPTIONS



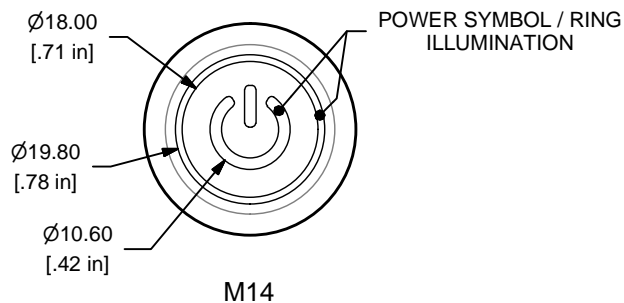
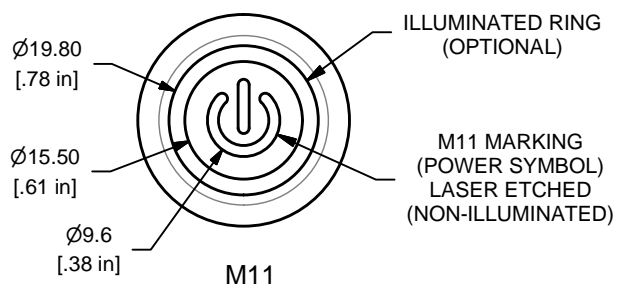
# PV8 SERIES ANTI-VANDAL SWITCH

## ACTUATOR OPTIONS

- ANTI-VANDAL SWITCHES
- DETECTOR SWITCHES
- DIP SWITCHES
- KEYLOCK SWITCHES
- NAVIGATION SWITCHES
- PUSHBUTTON SWITCHES
- ROCKER SWITCHES
- ROTARY SWITCHES
- SLIDE SWITCHES
- SNAP ACTION SWITCHES
- TACTILE SWITCHES
- TOGGLE SWITCHES
- CAP OPTIONS



Lens Styles

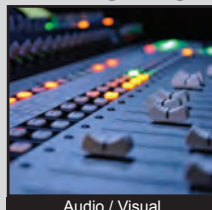


# PV9 SERIES ANTI-VANDAL SWITCH

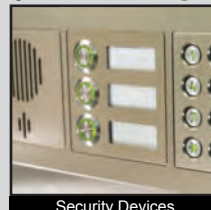
ANTI-VANDAL SWITCHES  
DETECTOR SWITCHES  
DIP SWITCHES  
KEYLOCK SWITCHES  
NAVIGATION SWITCHES  
PUSHBUTTON SWITCHES  
ROCKER SWITCHES  
ROTARY SWITCHES  
SLIDE SWITCHES  
SNAP ACTION SWITCHES  
TACTILE SWITCHES  
TOGGLE SWITCHES  
CAP OPTIONS



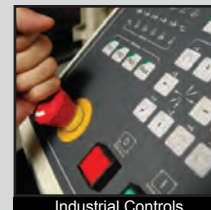
## APPLICATIONS / MARKETS



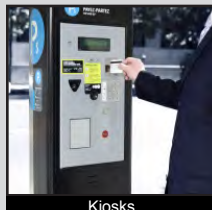
Audio / Visual



Security Devices



Industrial Controls



Kiosks



Electrical Housewares



Medical Equipment

# RoHS

## SPECIFICATIONS

**Electrical Rating:** 2A, 48VDC  
**Mechanical Life:** 1,000,000 Cycles  
**Electrical Life:** 50,000 Cycles  
**Contact Resistance:** 50mΩ Max.  
**Insulation Resistance:** 1000 MΩ Min. @ 500VDC  
**Dielectric Strength:** 2,000VAC  
**Operating/Storage Temperature:** -20°C to 55°C  
**Travel:** 2.8mm  
**Moisture Protection:** IP65  
**Contact Arrangement:** SPDT or DPDT  
**Actuation Force:** 660 gf  
**Panel Thickness:** 1-10mm  
**Hex Nut Torque:** 5-14Nm

## FEATURES & BENEFITS

- 28mm diameter panel cutout
- Dot or ring illumination options available
- Multiple switch functions available
- Multiple illumination voltage options
- IP65 rated
- SPDT or DPDT

## PART NUMBER CONFIGURATOR

Series	Actuator Options	Terminal Options	Function Options	Rating Options	Body Finish Options	Actuator Finish Options	Lens Style Options	LED Color Options	Illumination Voltage Options
<input type="text" value="PV9"/>	<input type="text" value="F - Flat"/>	<input type="text" value="2 - Solder"/>	<input type="text" value="Y - 1P OFF-(ON), 1P ON-(OFF)*&lt;br/&gt;T - 1P OFF-ON, 1P ON-OFF&lt;br/&gt;V - 2P OFF-(ON), 2P ON-(OFF)*&lt;br/&gt;U - 2P OFF-ON, 2P ON-OFF"/>	<input type="text" value="0 - 2A, 48VDC"/>	<input type="text" value="N - Nickel Plated&lt;br/&gt;S - Stainless Steel"/>	<input type="text" value="N - Nickel Plated&lt;br/&gt;S - Stainless Steel"/>	<input type="text" value="NONE - Non-Illuminated&lt;br/&gt;2 - Dot Illumination&lt;br/&gt;3 - Ring Illumination"/>	<input type="text" value="NONE - Non-Illuminated&lt;br/&gt;0 - White&lt;br/&gt;1 - Red&lt;br/&gt;2 - Orange&lt;br/&gt;3 - Green&lt;br/&gt;4 - Blue&lt;br/&gt;5 - Yellow&lt;br/&gt;F - Red/Orange&lt;br/&gt;G - Red/Green&lt;br/&gt;H - Red/Blue&lt;br/&gt;J - Red/Yellow&lt;br/&gt;K - Orange/Green&lt;br/&gt;L - Orange/Blue&lt;br/&gt;M - Orange/Yellow"/>	<input type="text" value="NONE - Non-Illuminated&lt;br/&gt;1 - Base Voltage&lt;sup&gt;‡&lt;/sup&gt;&lt;br/&gt;3 - 6V&lt;br/&gt;4 - 12V&lt;br/&gt;5 - 24V&lt;br/&gt;6 - 125V&lt;br/&gt;7 - 250V"/>
<p><b>NOTES:</b>                      * ( ) denotes function is momentary  <sup>‡</sup> Base voltage for LED colors red, yellow, and orange is 1.8V @ 20mA  <sup>‡</sup> Base voltage for LED colors blue, green and white is 2.8V @ 20mA</p>									

*Specifications subject to change without notice*



**E-SWITCH®**

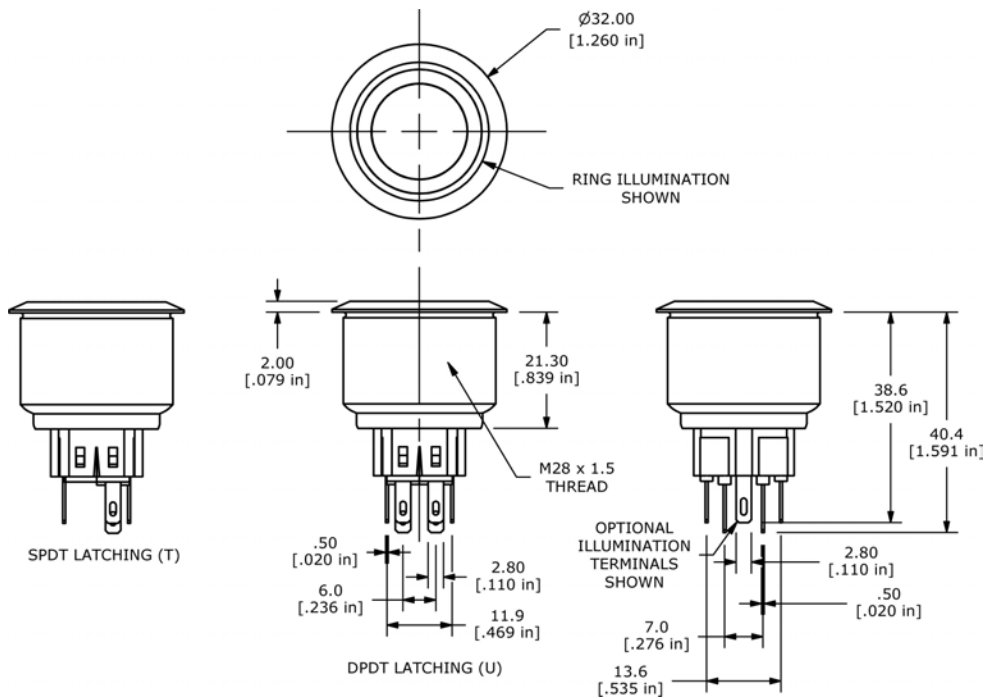
www.e-switch.com

800.867.2717

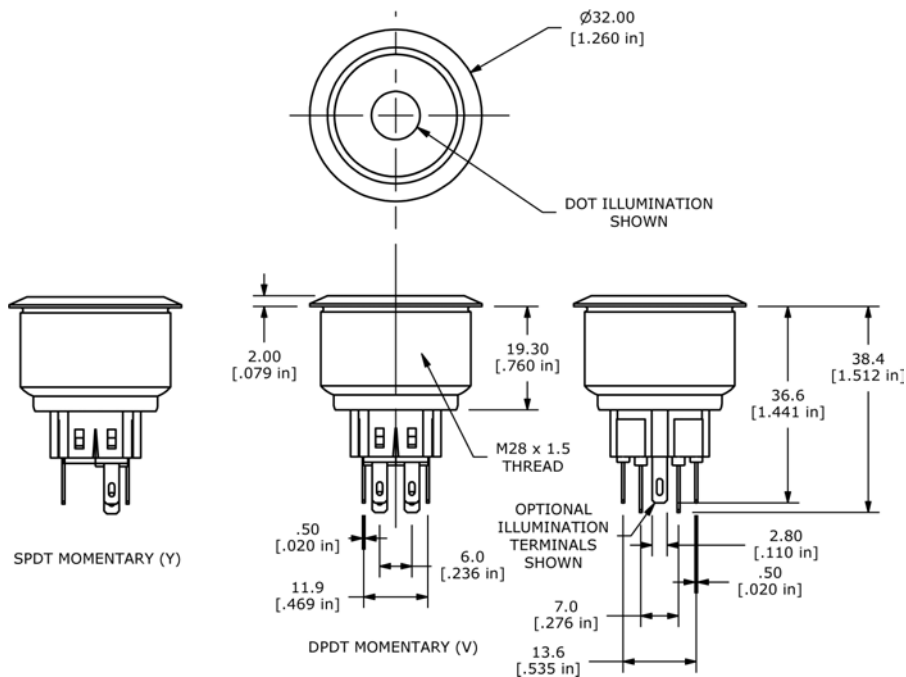
2

# PV9 SERIES ANTI-VANDAL SWITCH

## BODY DIMENSIONS



LATCHING SWITCH DIMENSIONS



MOMENTARY SWITCH DIMENSIONS

ANTI-VANDAL SWITCHES

DETECTOR SWITCHES

DIP SWITCHES

KEYLOCK SWITCHES

NAVIGATION SWITCHES

PUSHBUTTON SWITCHES

ROCKER SWITCHES

ROTARY SWITCHES

SLIDE SWITCHES

SNAP ACTION SWITCHES

TACTILE SWITCHES

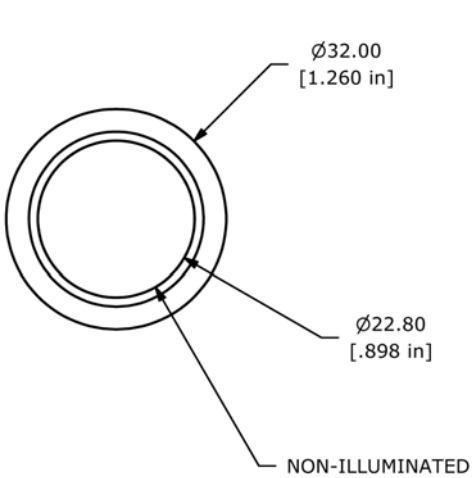
TOGGLE SWITCHES

CAP OPTIONS

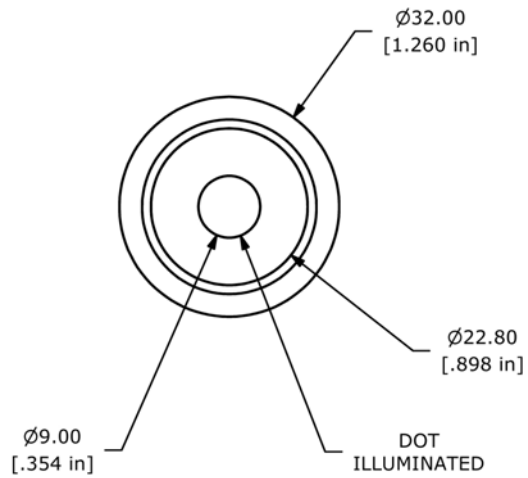


# PV9 SERIES ANTI-VANDAL SWITCH

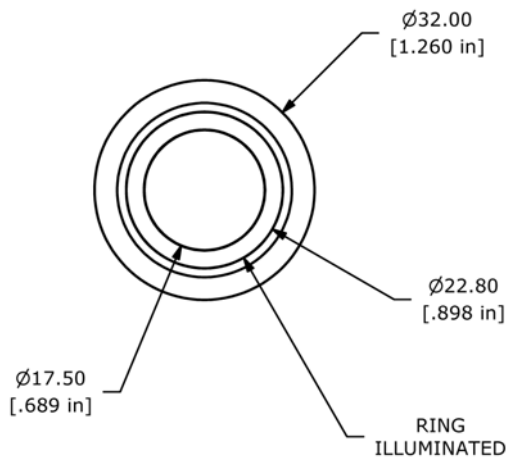
## ACTUATOR OPTIONS



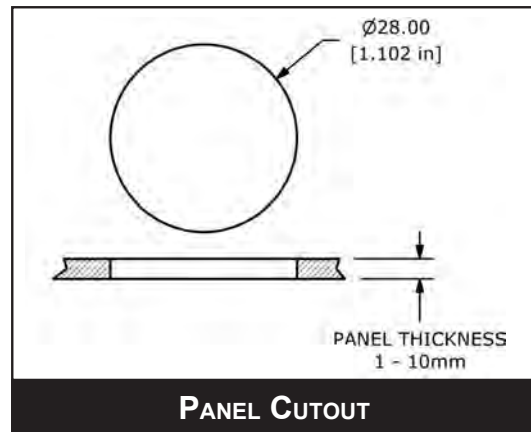
NON-ILLUMINATED



DOT ILLUMINATED



RING ILLUMINATED



## SCHEMATICS

