

AC centrifugal fans - RadiCal®

Series R2E225 RA Ø225 mm



Highlights:

- Backward curved
- 7-blade impeller, single phase motor
- Thermal overload protector (TOP) wired internally
- Mounting position: Any
- Condensate discharge holes: None
- Ingress protection of IP44; dependent on installation and position

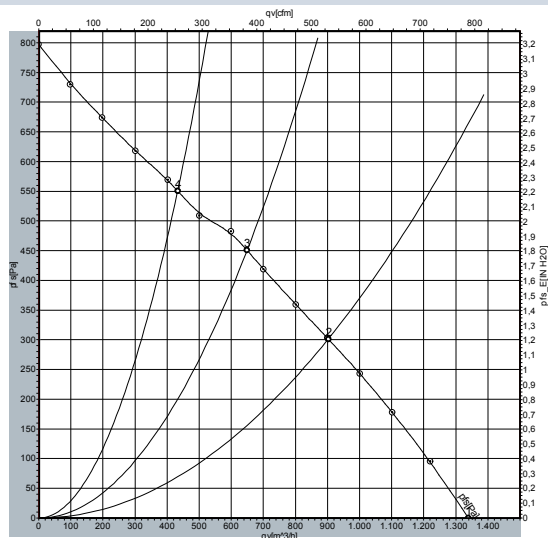
Material: Fiberglass reinforced composite
Impeller: PA

Direction of rotation: Clockwise, seen on rotor

Nominal Data	Air flow	Nominal voltage	Hertz	Ball bearings	Power input	Speed (1)	Temperature range (1)	Mass	Ingress Protection Rating	Capacitor	UL
	CFM	VAC			Watts	RPM	°C	g		µF	
R2E225-RA40-21	788.7	115	50/60	Yes	225	2,700	-25...40	2,300	IP44	14	Yes
R2E225-RA92-20	765.2	230	50/60	Yes	225	2,600	-25...45	2,300	IP44	3.5	Yes

(1) Nominal data at operating point with maximum load.

R2E225-RA40-21 Curves



Measurement: LU-128357

Air performance measured as per: ISO 5801, Installation category A, without protection against accidental contact.

Suction-side noise levels: L_{WA} as per ISO 13347, L_{PA} measured at 1m distance to fan axis.

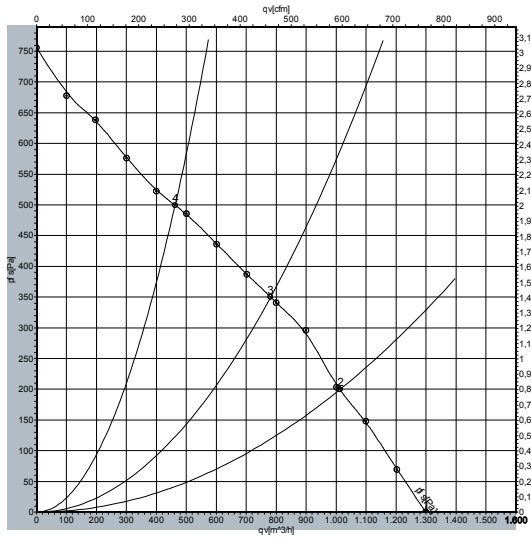
The values given are valid under the measuring conditions mentioned and may vary according to the actual installation situation.

With any deviation to the standard set-up, the specific values have to be checked and reviewed once installed or fitted.

For detailed information on the measuring set-up, please contact ebm-papst.

	n	Pe	I	L _{WA}
	rpm	W	A (115V)	dB(A)
(A) 1	3025	187	1.61	76
(A) 2	2700	225	1.95	70
(A) 3	2765	218	1.89	69
(A) 4	2890	204	1.76	71

R2E225-RA92-20 Curves



Measurement: LU-127148

Air performance measured as per: ISO 5801, Installation category A, without protection against accidental contact.

Suction-side noise levels: L_{WA} as per ISO 13347, L_{PA} measured at 1m distance to fan axis.

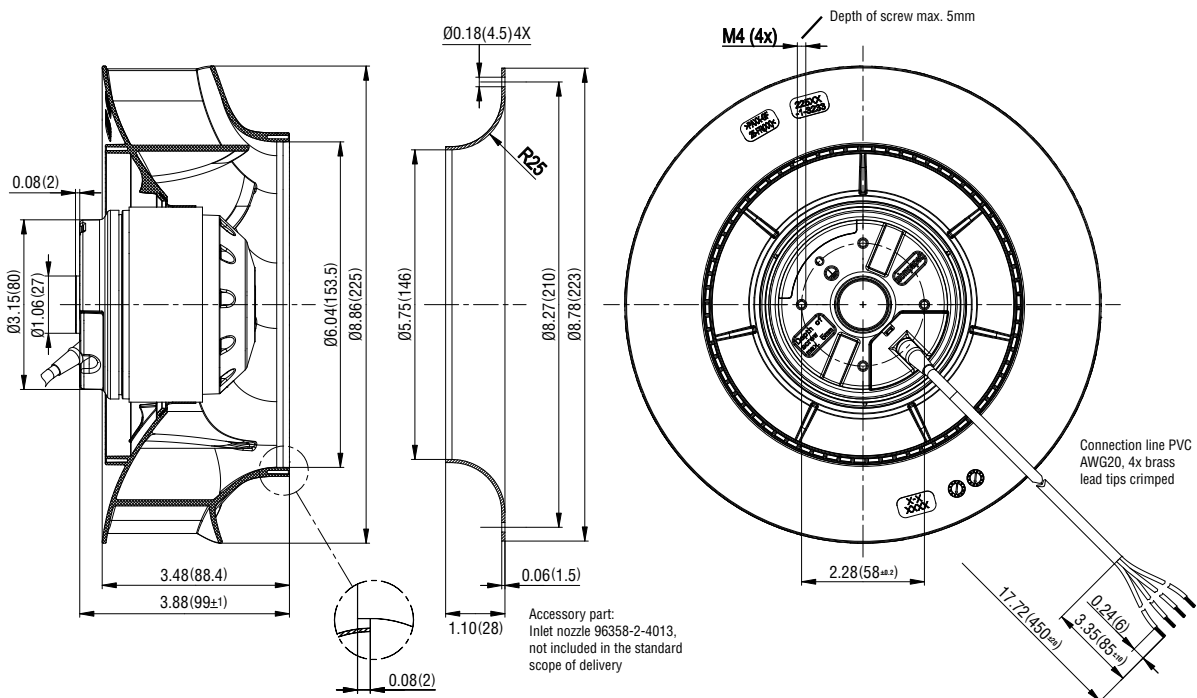
The values given are valid under the measuring conditions mentioned and may vary according to the actual installation situation.

With any deviation to the standard set-up, the specific values have to be checked and reviewed once installed or fitted.

For detailed information on the measuring set-up, please contact ebm-papst.

	n rpm	P _e W	I A (230V)	L _{WA} dB(A)
ⓑ 1	2900	190	0.83	76
ⓑ 2	2700	210	0.92	72
ⓑ 3	2700	207	0.90	68
ⓑ 4	2815	196	0.85	73

R2E225-RAXX-XX



R2E225 Series

Motorized Impeller



Ø 225mm Backward Curved

- Backward curved centrifugal fans feature extremely long blades. These impellers are highly resistant to dirt and dust. Their hydraulic efficiency is very high.
- Impeller completely made of plastic PA 6.6.
- Maintenance-free ball bearings.
- Insulation class "B". Cable exit: variable. Direction of rotation is CW as seen from intake side.
- UL, CSA, VDE approvals on most models, please contact application engineering.
- Recommended inlet ring: 96358-2-4013

Part Number	Curve	CFM @ 0	VAC	Hertz	Power (W)	dBA	Max Amb. Temp. C	Bearing Type	Features	Capacitor (µF)	Wgt. (lbs)
R2E225-BE51-09	1	756	115	60	185	75	70	Ball	Leads	20	6.00
R2E225-BE47-09	1	756	230	60	185	75	45	Ball	Leads	5	6.00
R2E225-BD92-36	2	789	230	60	200	71	60	Ball	Leads	-	6.84

