



# TE Connectivity

Product Change Notification: PCN-23-180454

PCN Date: 07-AUG-23

Customer: TTI, Inc. ( 1305175 )

Location: Maisach-gernlinden

Agreement: TTI001

TE would like to inform you of the following change(s) to the listed TE Connectivity Product. In case of any further questions about this change(s), please contact your TE Connectivity Sales Engineer. Affected part, drawing and/or specification numbers are listed on the attached sheet(s).

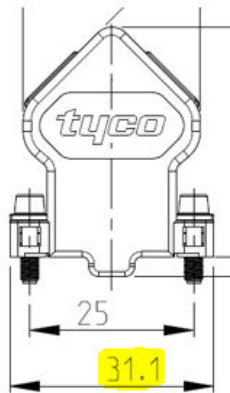
**General Product Description: (Text limited to 120 characters)**

HD20 - COVER KIT (9 POS.) HD20 - KAPPENKIT (9 POL.) WITH CABLE CLAMP / MIT KABELSCHELLE

**Description of Changes**

Please be aware of an upcoming Outer width dimensional tolerance change to the listed part numbers.

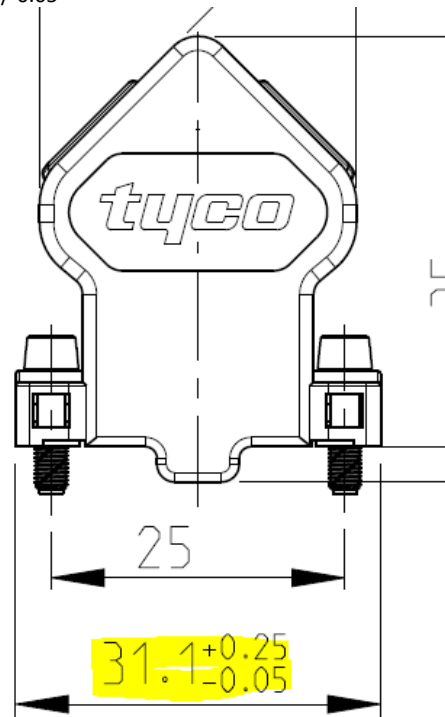
1534805 C drawing, Existing Outer width dimension is 31.1 +0.15/-0.15



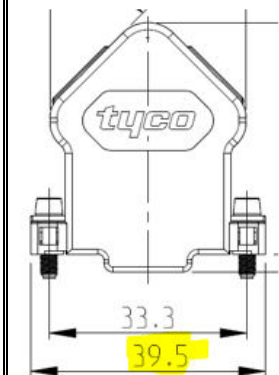
TOLERANCES UNLESS OTHERWISE SPECIFIED: ALLGEMEINTOLERANZEN

- 0 PLC ±0.15
- 1 PLC ±0.15
- 2 PLC ±0.15
- 3 PLC ±

1534805 C drawing, Outer width dimension will be modified as 31.1 +0.25/-0.05



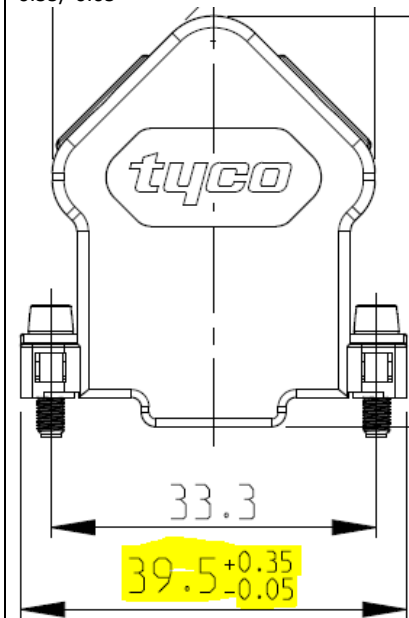
1534807 C drawing, Existing Outer width dimension is 39.5 +0.15/-0.15



TOLERANCES UNLESS OTHERWISE SPECIFIED:  
ALLGEMEINTOLERANZEN

0 PLC	±0.15
1 PLC	±0.15
2 PLC	±0.15
3 PLC	±

1534807 C drawing, Outer width dimension will be modified as 39.5 +0.35/-0.05



**Reason for Changes:**

since this tool is been running for long now and as days pass, given the die casting process, it is a challenge to meet the close tolerance in day to day manufacturing and hence based on the supplies till date, we have arrived that at the revised tolerance that can be maintained going forward

**PCN Attributes:**

<b>Product Category:</b> Connector Kit	<b>Kind of Change:</b> Geometry
<b>Change Feature:</b> Special Design Feature	<b>Potential Customer Impact:</b> No Customer Impact
<b>Remarks:</b>	

**Estimated Dates:**

<b>Last Order Date (Obsolete Parts Only):</b>	<b>First Ship Date of Changed Items (Changed Parts Only):</b> 11-AUG-2023
<b>Last Ship Date of Changed Items (Obsolete Parts Only):</b>	<b>Last Date for Mixed Shipments: (Changed Parts Only):</b> No Mixed Shipments
<b>Effectivity Date:</b>	<b>Date of First Samples:</b>

**Part Number(s) being Modified:**

Part Number	Part Discontinued per PCN	Customer Drawing	Customer Part Number	Alias Part Number(s)	Substitute Part Number	Substitute Alias Part Number(s)	Description Of Difference
<a href="#">1534805-1</a>	NO		TYC1534805-1	"EF4860-000", "AMP-0-1534805-1"			
<a href="#">1534807-1</a>	NO		TYC1534807-1				



# TE Connectivity

Product Change Notification: PCN-23-180454

PCN Date: 07-AUG-23

Customer: TTI, Inc. ( 3057778 )

Location: Maisach-gernlinden

Agreement: Agreement Unknown

TE would like to inform you of the following change(s) to the listed TE Connectivity Product. In case of any further questions about this change(s), please contact your TE Connectivity Sales Engineer. Affected part, drawing and/or specification numbers are listed on the attached sheet(s).

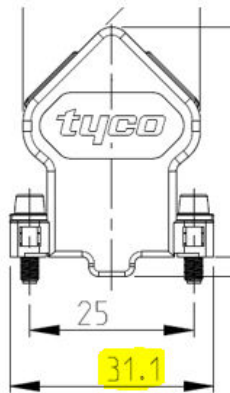
**General Product Description: (Text limited to 120 characters)**

HD20 - COVER KIT (9 POS.) HD20 - KAPPENKIT (9 POL.) WITH CABLE CLAMP / MIT KABELSCHELLE

**Description of Changes**

Please be aware of an upcoming Outer width dimensional tolerance change to the listed part numbers.

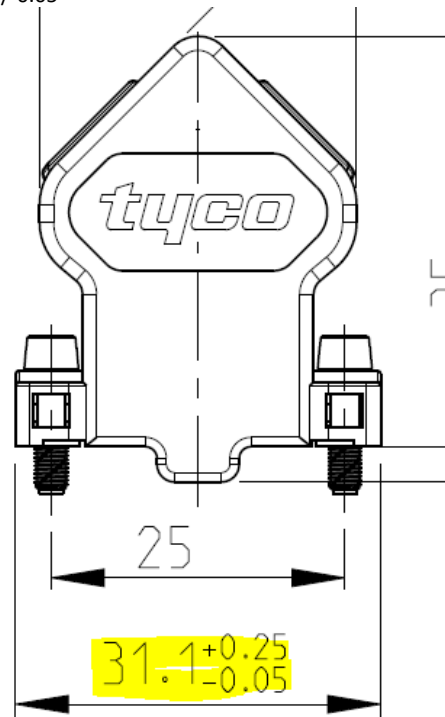
1534805 C drawing, Existing Outer width dimension is 31.1 +0.15/-0.15



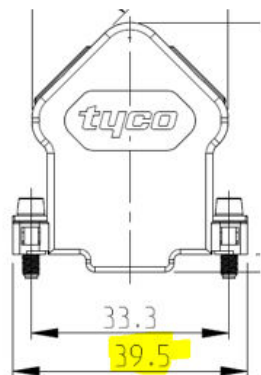
TOLERANCES UNLESS OTHERWISE SPECIFIED: ALLGEMEINTOLERANZEN

0 PLC	±0.15
1 PLC	±0.15
2 PLC	±0.15
3 PLC	±

1534805 C drawing, Outer width dimension will be modified as 31.1 +0.25/-0.05



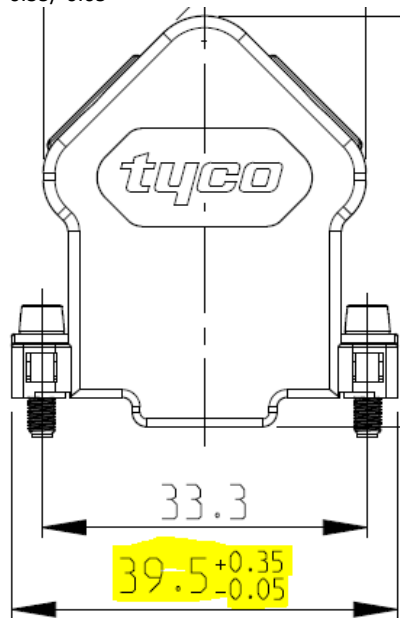
1534807 C drawing, Existing Outer width dimension is 39.5 +0.15/-0.15



TOLERANCES UNLESS OTHERWISE SPECIFIED:  
ALLGEMEINTOLERANZEN

0 PLC	±0.15
1 PLC	±0.15
2 PLC	±0.15
3 PLC	±

1534807 C drawing, Outer width dimension will be modified as 39.5 +0.35/-0.05



**Reason for Changes:**

since this tool is been running for long now and as days pass, given the die casting process, it is a challenge to meet the close tolerance in day to day manufacturing and hence based on the supplies till date, we have arrived that at the revised tolerance that can be maintained going forward

**PCN Attributes:**

<b>Product Category:</b> Connector Kit	<b>Kind of Change:</b> Geometry
<b>Change Feature:</b> Special Design Feature	<b>Potential Customer Impact:</b> No Customer Impact
<b>Remarks:</b>	

**Estimated Dates:**

<b>Last Order Date (Obsolete Parts Only):</b>	<b>First Ship Date of Changed Items (Changed Parts Only):</b> 11-AUG-2023
<b>Last Ship Date of Changed Items (Obsolete Parts Only):</b>	<b>Last Date for Mixed Shipments: (Changed Parts Only):</b> No Mixed Shipments
<b>Effectivity Date:</b>	<b>Date of First Samples:</b>

**Part Number(s) being Modified:**

Part Number	Part Discontinued per PCN	Customer Drawing	Customer Part Number	Alias Part Number(s)	Substitute Part Number	Substitute Alias Part Number(s)	Description Of Difference
<a href="#">1534805-1</a>	NO		TYC1534805-1	"EF4860-000", "AMP-0-1534805-1"			
<a href="#">1534807-1</a>	NO		TYC1534807-1				