



# Product Change Notification

Current Date: 28-Nov-2023

## TE Connectivity

**Product Change Notification:** PCN-23-193248

**PCN Date:** 27-NOV-23

**Customer:** TTI, Inc. ( 1305175 )

**Location:** Maisach-gernlinden

**Agreement:** Agreement Unknown

TE would like to inform you of the following change(s) to the listed TE Connectivity Product. In case of any further questions about this change(s), please contact your TE Connectivity Sales Engineer. Affected part, drawing and/or specification numbers are listed on the attached sheet(s).

**General Product Description:** (Text limited to 120 characters)

The shape of the top area changes due to apply direct gate.

**Description of Changes**

The thickness of the head increases to 1.3mm from 1.0mm and cuts a furrow of the head. This change does not affect product performance.

**Other attachments:**

[Engineering Change Doc](#)

**Reason for Changes:**

Apply direct gate.

**PCN Attributes:**

<b>Product Category:</b>	<b>Kind of Change:</b>
Seals And Cavity Plugs	Geometry
<b>Change Feature:</b>	<b>Potential Customer Impact:</b>
Special Design Feature	No Customer Impact
<b>Remarks:</b>	

**Estimated Dates:**

<b>Last Order Date</b> (Obsolete Parts Only):	<b>First Ship Date of Changed Items</b> (Changed Parts Only):
	27-NOV-2024
<b>Last Ship Date of Changed Items</b> (Obsolete Parts Only):	<b>Last Date for Mixed Shipments:</b> (Changed Parts Only):
	No Mixed Shipments
<b>Effectivity Date:</b>	<b>Date of First Samples:</b>

**Part Number(s) being Modified:**

Part Number	Part Discontinued per PCN	Customer Drawing	Customer Part Number	Alias Part Number(s)	Substitute Part Number	Substitute Alias Part Number(s)	Description Of Difference
<a href="#">936054-1</a>	NO						

The documents listed below are being modified. Related parts that are not explicitly listed on this PCN are not being modified or discontinued as per the PCN. The Last Order Date, Last Ship Date, First Date to Ship Changed Parts and last date for Mixed Shipments apply only to parts explicitly listed on this PCN.

**Customer Drawing(s) Being Modified:**

Drawing Number	Related Part Number	Customer Part Number	Current Revision	New Revision
<a href="#">936054</a>	936054-1	TYC936054-1	B1	



# Product Change Notification

Current Date: 28-Nov-2023

## TE Connectivity

**Product Change Notification:** PCN-23-193248

**PCN Date:** 27-NOV-23

**Customer:** TTI, Inc. ( 3057778 )

**Location:** Maisach-gernlinden

**Agreement:** Agreement Unknown

TE would like to inform you of the following change(s) to the listed TE Connectivity Product. In case of any further questions about this change(s), please contact your TE Connectivity Sales Engineer. Affected part, drawing and/or specification numbers are listed on the attached sheet(s).

**General Product Description:** (Text limited to 120 characters)

The shape of the top area changes due to apply direct gate.

**Description of Changes**

The thickness of the head increases to 1.3mm from 1.0mm and cuts a furrow of the head. This change does not affect product performance.

**Other attachments:**

[Engineering Change Doc](#)

**Reason for Changes:**

Apply direct gate.

**PCN Attributes:**

<b>Product Category:</b>	<b>Kind of Change:</b>
Seals And Cavity Plugs	Geometry
<b>Change Feature:</b>	<b>Potential Customer Impact:</b>
Special Design Feature	No Customer Impact
<b>Remarks:</b>	

**Estimated Dates:**

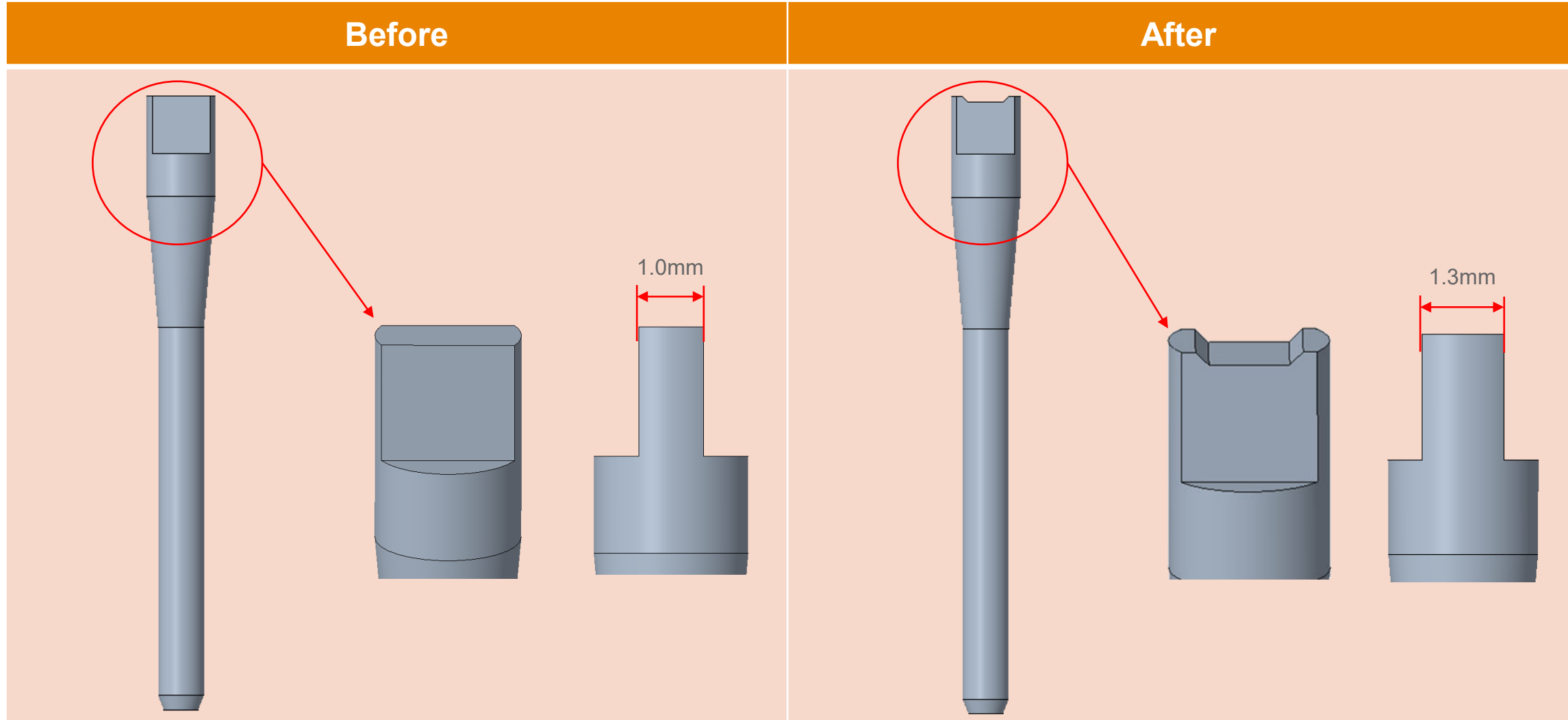
<b>Last Order Date</b> (Obsolete Parts Only):	<b>First Ship Date of Changed Items</b> (Changed Parts Only):
	27-NOV-2024
<b>Last Ship Date of Changed Items</b> (Obsolete Parts Only):	<b>Last Date for Mixed Shipments:</b> (Changed Parts Only):
	No Mixed Shipments
<b>Effectivity Date:</b>	<b>Date of First Samples:</b>

**Part Number(s) being Modified:**

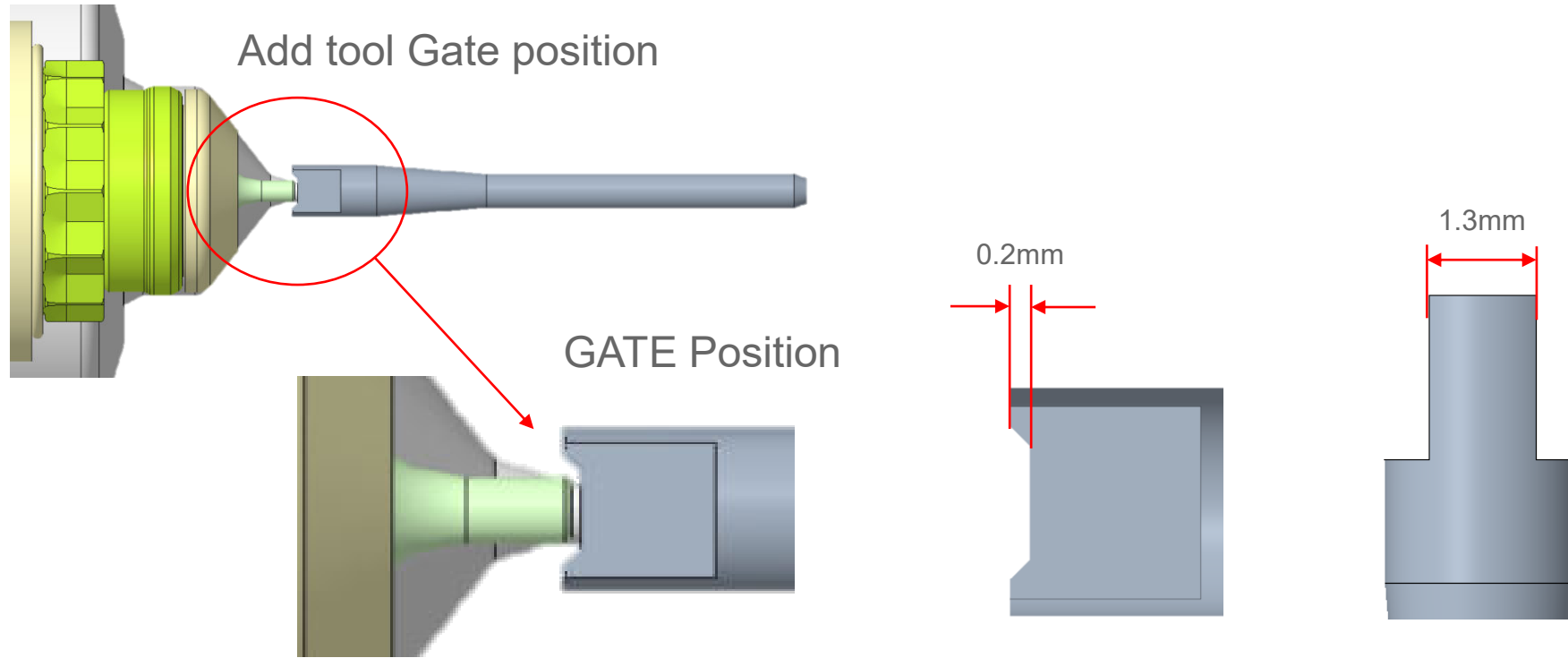
Part Number	Part Discontinued per PCN	Customer Drawing	Customer Part Number	Alias Part Number(s)	Substitute Part Number	Substitute Alias Part Number(s)	Description Of Difference
<a href="#">936054-1</a>	NO		TYC936054-1				

# PCN-23-193248

- P/N : 936054-1
- Change description : The shape of the top area changes due to apply direct gate.



Tool No.	Description	Cav.	Remark	Weight
21-36106	Cavity Plug hsg for 121P ECU Conn.	80		0.07g
21-0036106-00000-A	Cavity Plug hsg for 121P ECU Conn.	32	ADD TOOL	0.07g



Need to 0.2mm cutting due to gate flash  
 Need to 1.3mm size up gate position due to short shot

# Reliability test

Test Contents
Appearance
Connector engage and disengage force
Insulation resistance
Leakage current
High voltage test
Cold temperature test
Cold and hot temperature test
High temperature test
Temperature and humidity cycle test
Waterproof test
Complex environment endurance test

# Schedule

PCN Creation : 27. Nov. 2023

PCN wait period : 365days (27. Nov. 2024)

First ship date of changed parts : End of Nov. 2024