

Phoenix Contact Inc.  
P.O. BOX 4100  
Harrisburg, PA 17111-0100  
Phone: 717-944-1300

## Product Change Notification

### PCN-IFC-8759-2023

Business Unit	Product Line Code	Type of Change	Action	Date of Issue
IFC - Industrial Field Connectivity	BF7	Product Change Notification	Notify Distributors and Field	5/30/2023

*The following Phoenix Contact products have been modified. Existing specifications will be met or exceeded. Please review and acknowledge this document and inform your personnel as needed.*

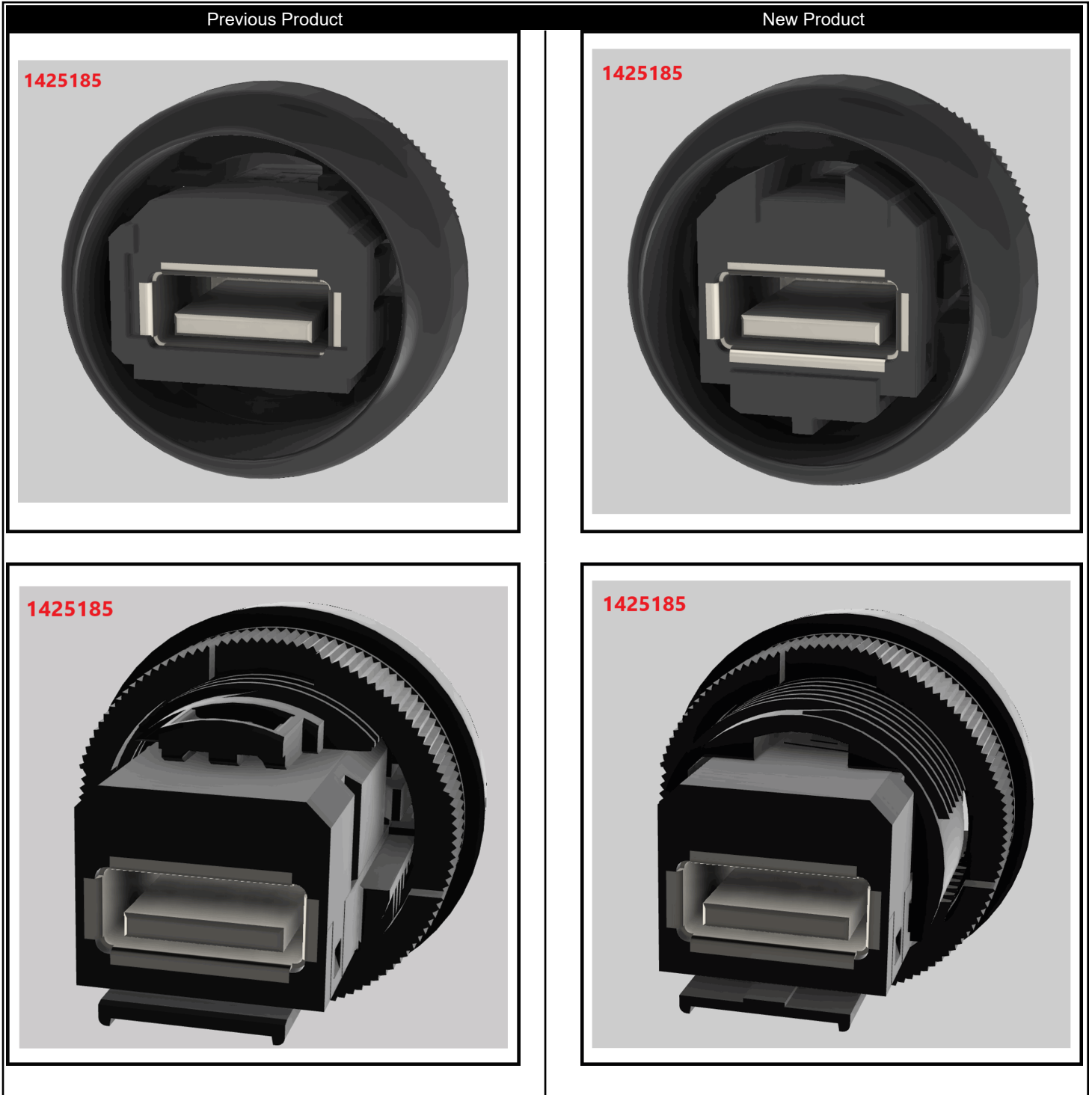
Description for Product Change Notification
In the interest of ongoing improvements the locking clips that retain the connector body within the outer shell will be relocated from the rear side of the socket to the front/mating side of the socket for easy access.

Stock Status
Can existing stock still be used?      Yes
Is mixture of stock acceptable?      No

Transaction Dates
Date modification goes into effect from Germany:      6/12/2023
Expected first shipment (from Phoenix Contact) of the modified products(s):      6/12/2023



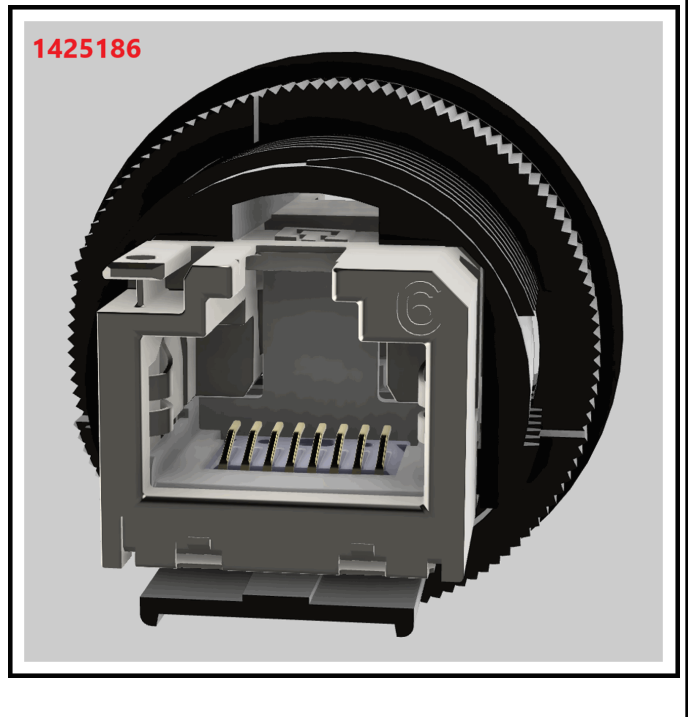
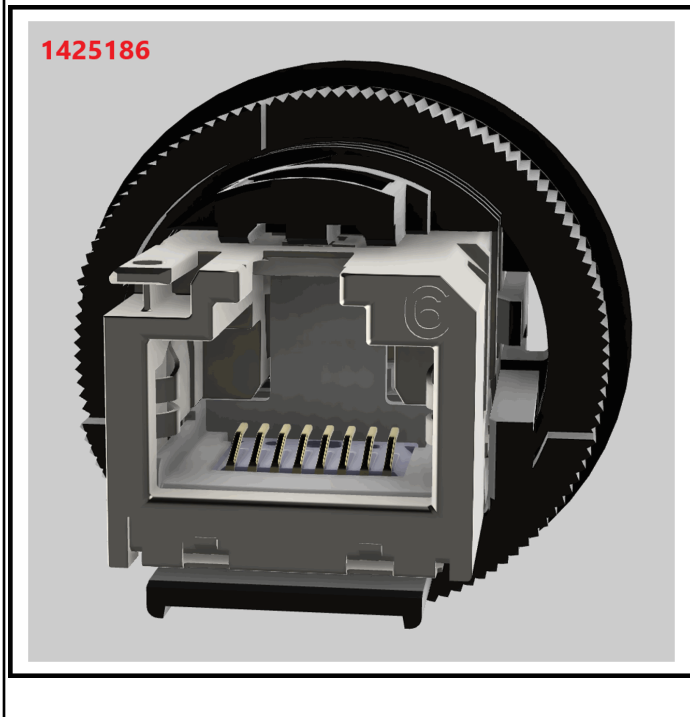
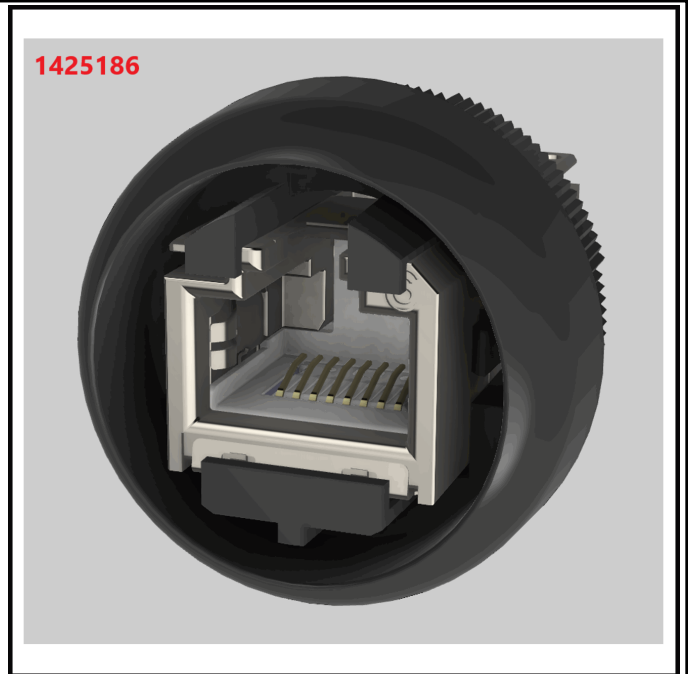
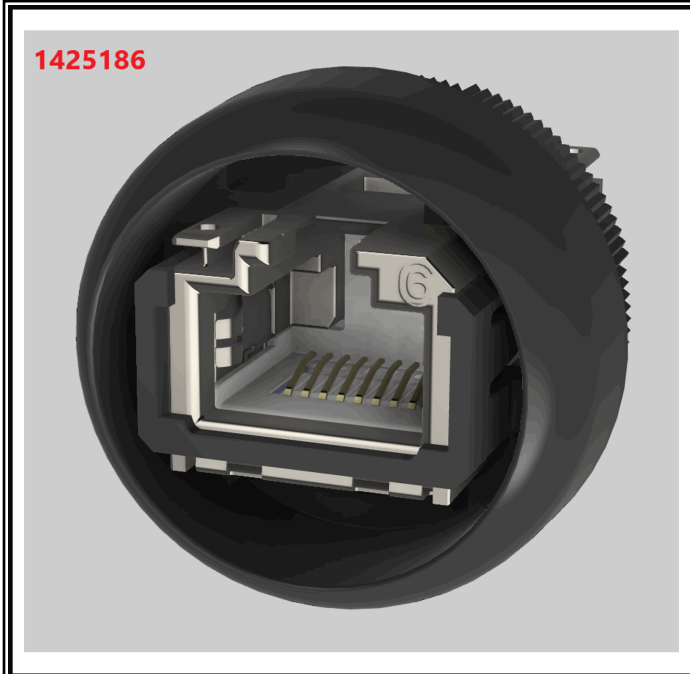
## Product Change Notification





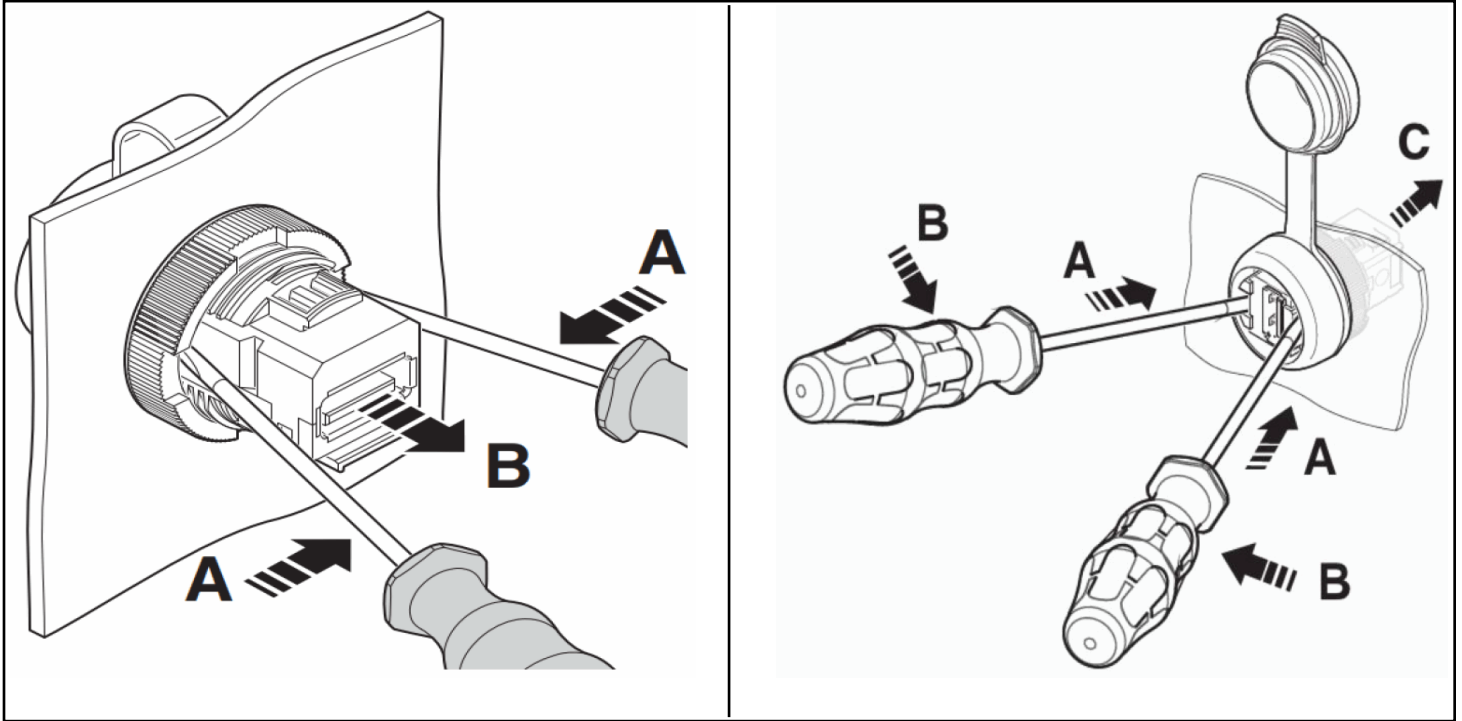
Phoenix Contact Inc.  
P.O. BOX 4100  
Harrisburg, PA 17111-0100  
Phone: 717-944-1300

## Product Change Notification





## Product Change Notification



*Should you have any issues with the timeline or content of this product change, please contact Phoenix Contact using the information below. Customers should acknowledge receipt of the PCN within 30 days of delivery of the PCN; provided, however, that the failure to acknowledge receipt does not affect the product change or the effective date thereof.*

**Contact Info:**  
Dean W Smith  
dwsmith@phoenixcontact.com

Thank you,

---

Jeremy Andrews  
Product Marketing Manager



Phoenix Contact Inc.  
P.O. BOX 4100  
Harrisburg, PA 17111-0100  
Phone: 717-944-1300

## Product Change Notification

Part #	Type Description
1425185	SI-RND-U1A
1425186	SI-RND-R1A