

Product Specification

NHD-1.91-176176B

Graphic Color OLED Display

NHD-	Newhaven Display
1.91-	1.91" Diagonal Size
176176-	176 x 176 Pixels
B-	Model

Table of Contents

Document Revision History.....	2
Mechanical Drawing.....	3
Pin Description.....	4
Interface Selection.....	4
Wiring Diagram.....	5
Electrical Characteristics.....	7
Optical Characteristics.....	7
Controller information.....	7
Table of Commands.....	8
Timing Characteristics.....	14
Example Initialization Sequence.....	18
Quality Information.....	20

Additional Resources

- **Support Forum:** <https://support.newhavendisplay.com/hc/en-us/community/topics>
- **GitHub:** <https://github.com/newhavendisplay>
- **Example Code:** <https://support.newhavendisplay.com/hc/en-us/categories/4409527834135-Example-Code/>
- **Knowledge Center:** https://www.newhavendisplay.com/knowledge_center.html
- **Quality Center:** https://www.newhavendisplay.com/quality_center.html
- **Precautions for using LCDs/LCMs:** <https://www.newhavendisplay.com/specs/precautions.pdf>
- **Warranty / Terms & Conditions:** <https://www.newhavendisplay.com/terms.html>



Document Revision History

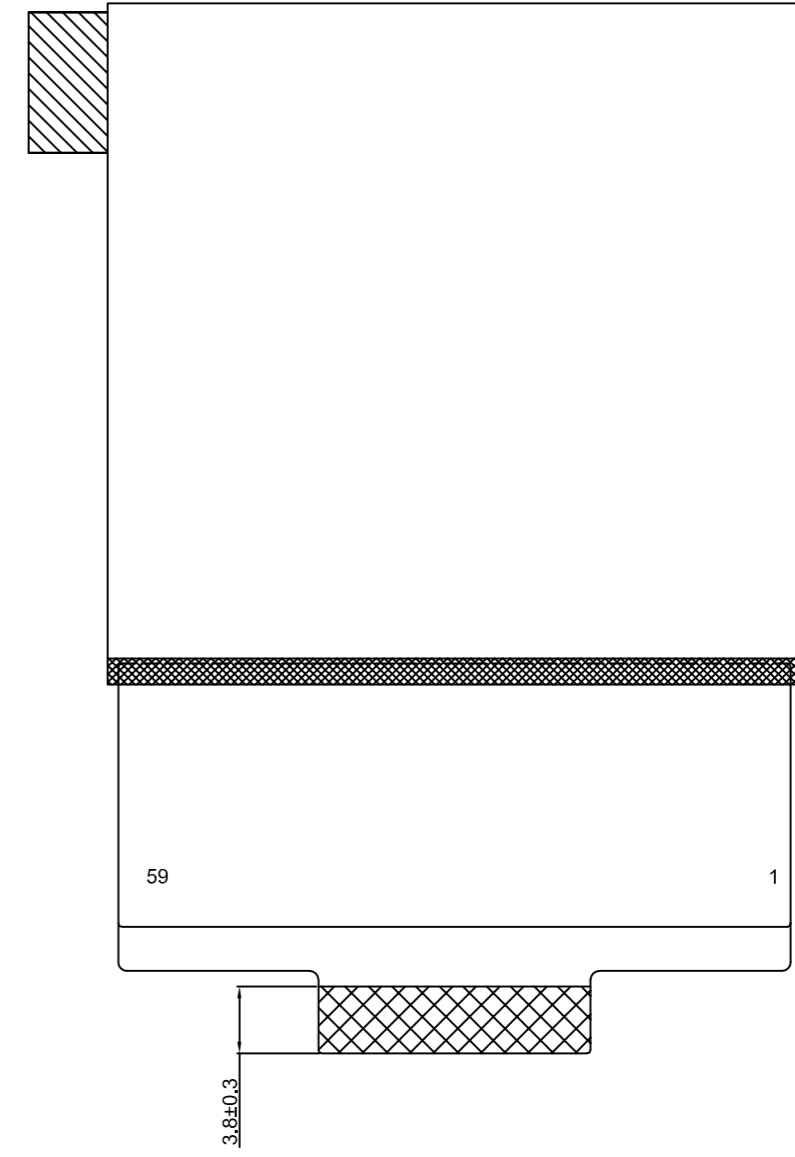
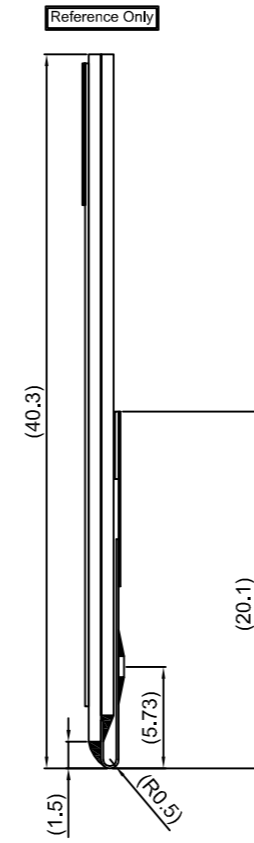
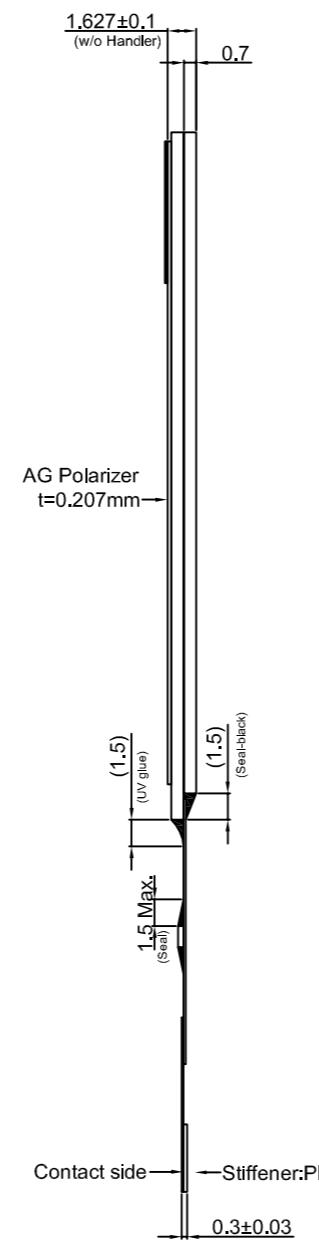
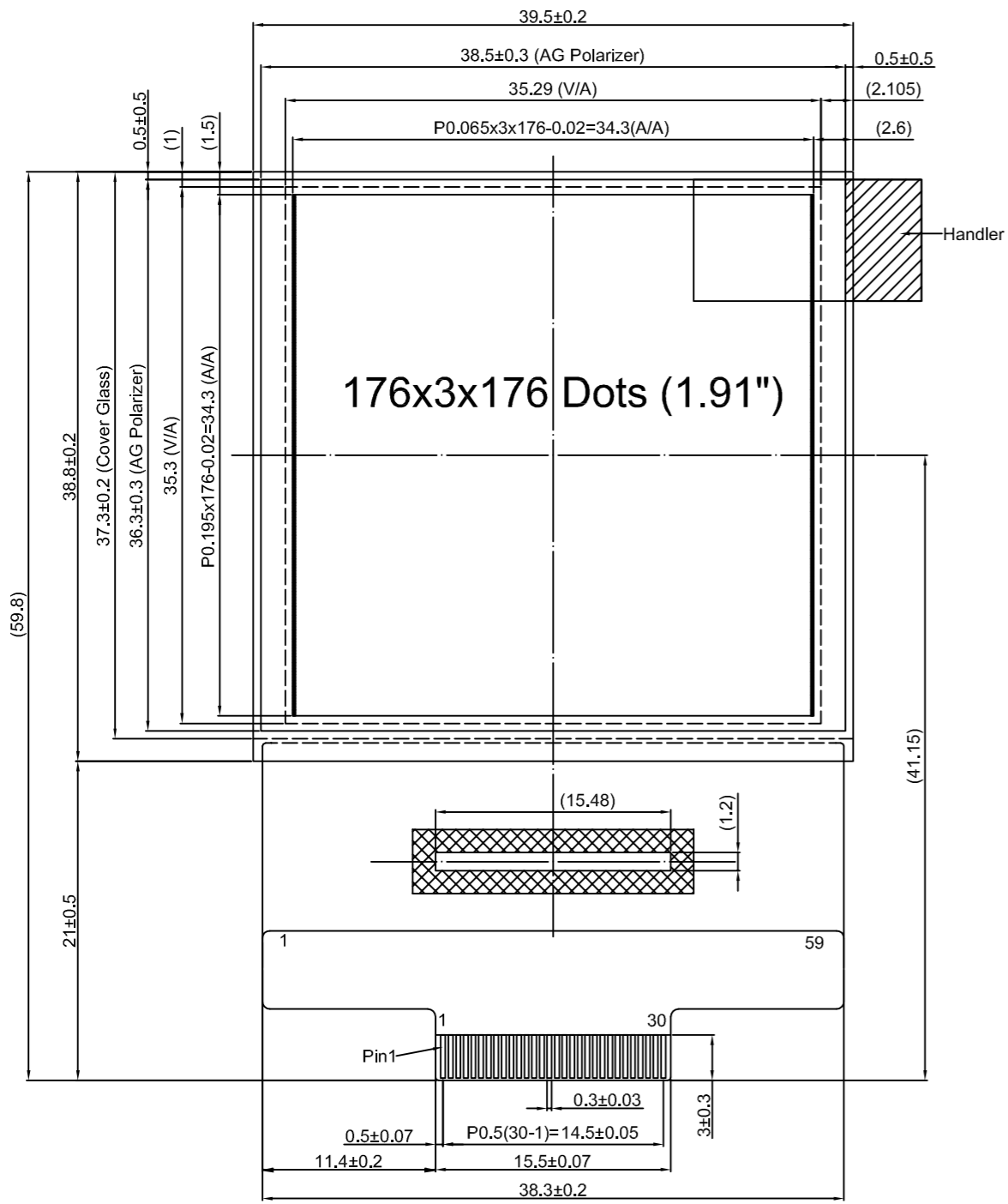
Revision	Date	Description	Changed By
-	04/29/2024	Initial Release	KL

Mechanical Drawing

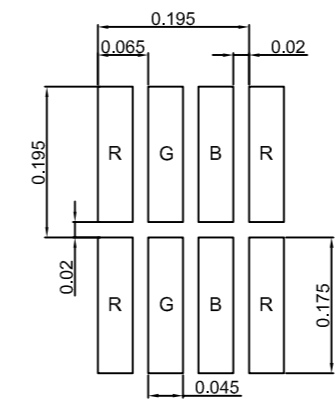
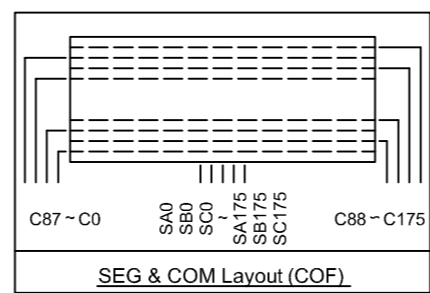
Newhaven Display

NHD-1.91-176176B
Date Code

Part Label (type/format may vary)



Pin Assignment	
NO.	SYMBOL
1	NC
2	VLSS
3	VSL
4	VCOMH
5	VCC
6	D7
7	D6
8	D5
9	D4
10	D3
11	D2
12	D1
13	D0
14	E(RD#)
15	R/W#(WR#)
16	BS1
17	BS2
18	CS#
19	D/C#
20	RES#
21	FR
22	VDD
23	VSS
24	IREF
25	VCC
26	VP
27	VCOMH
28	VSL
29	VLSS
30	NC



- Product Description: 1.91" 176x176 Color OLED**
1. Driver IC: SSD1333
 2. Interface: 8-bit 6800/8080 Parallel, 4-wire SPI, I²C
 3. Power Requirement: 1.8V OLED
 4. Optical Features: Full Color, Full View
 5. Recommended FFC Connector: 30pin 0.5mm pitch; Ex. Molex 54104-3031

Standard Tolerance: (Unless otherwise specified) Linear: ±0.3mm		
	Drawing/Part Number: NHD-1.91-176176B	Revision: 1A
Unless otherwise specified: • Dimensions are in Millimeters • Third Angle Projection	Drawn By: K. Lewis	Approved By: K. Lewis
	Drawn Date: 04/29/2024	Approved Date: 04/29/2024
This drawing is solely the property of Newhaven Display International, Inc. The information it contains is not to be disclosed, reproduced or copied in whole or part without written approval from Newhaven Display.		

Pin Description

Pin No.	Symbol	External Connection	Function Description
1	NC	-	No Connect
2	VLSS	Power Supply	Ground
3	VSL	-	Voltage for Low Level SEG Signal
4	VCOMH	-	Voltage for High Level COM Signal
5	VCC	Power Supply	Supply Voltage for OLED Panel (+14V)
6-13	D7-D0	MPU	Parallel Interface: 8-bit Bi-directional data bus 4-wire SPI Interface: D0 - Serial Clock signal (SCLK) D1 - Serial Data Input signal (SDIN) - connect together with D2 I²C Interface: D0 - Serial Clock signal (SCL) D1 - Serial Data Input signal (SDA _{IN}) D2 - Serial Data Output signal (SDA _{OUT})
14	E (RD#)	MPU	6800 mode: Enable signal. Falling edge triggered 8080 mode: Active LOW Read signal
15	R/W# (WR#)	MPU	6800 mode: Read/Write signal. HIGH: Read, LOW: Write 8080 mode: Active LOW Write signal
16	BS1	MPU	MPU Interface Select signal
17	BS2	MPU	MPU Interface Select signal
18	CS#	MPU	Active LOW Chip Select signal
19	D/C# SA0	MPU	Data/Command Control signal. HIGH: Data, LOW: Command I²C: Slave address selection signal
20	RES#	MPU	Active LOW Reset signal
21	FR	MPU	RAM write synchronization signal (No Connect if not used)
22	VDD	Power Supply	Supply Voltage for Core Logic Circuit (+3V)
23	VSS	Power Supply	Ground
24	IREF	-	Current for SEG Brightness
25	VCC	Power Supply	Supply Voltage for OLED Panel (+14V)
26	VP	-	Voltage for SEG pre-charge
27	VCOMH	-	Voltage for High Level COM signal
28	VSL	-	Voltage for Low Level SEG signal
29	VLSS	Power Supply	Ground
30	NC	-	No Connect

Recommended display connector: 30pin 0.5mm pitch top contact FFC connector (Molex 54104-3031)

Interface Selection

MPU Interface Pin Selections and Assignment Summary

	6800 Parallel	8080 Parallel	4-Wire SPI	I ² C
BS1	0	1	0	1
BS2	1	1	0	0

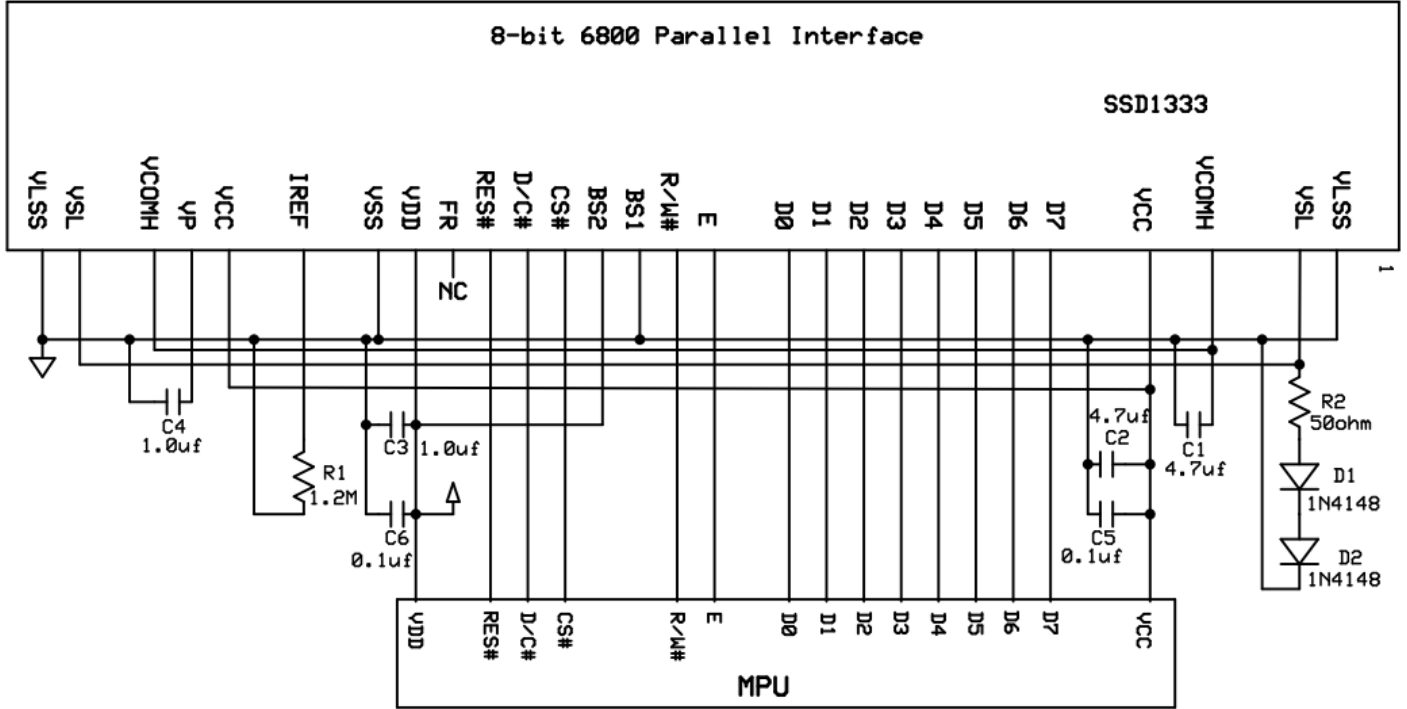
Bus Interface	Data/Command Interface							Control Signals				
	D7	D6	D5	D4	D3	D2	D1	D0	E	R/W#	CS#	D/C#
8-bit 6800	D[7:0]							E	R/W#	CS#	D/C#	RES#
8-bit 8080	D[7:0]							RD#	WR#	CS#	D/C#	RES#
4-Wire SPI	Tie Low					SDIN	SCLK	Tie Low		CS#	D/C#	RES#
I ² C	Tie Low					SDA _{OUT}	SDA _{IN}	SCL	Tie Low		SA0	RES#

I²C Interface: SDA_{IN} and SDA_{OUT} are tied together and serve as SDA. The SDA_{IN} pin must be connected to act as SDA. The SDA_{OUT} pin may be disconnected. When SDA_{OUT} pin is disconnected, the acknowledgement signal will be ignored in the I²C-bus.

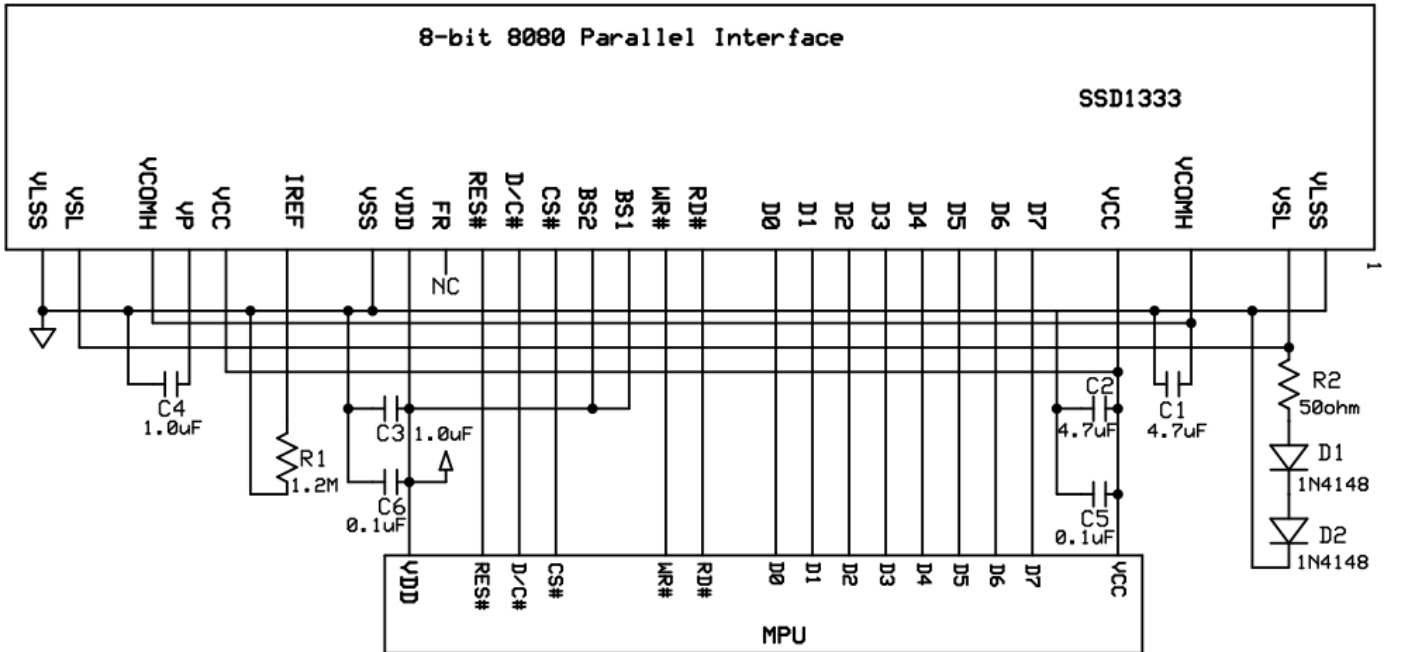


Wiring Diagram

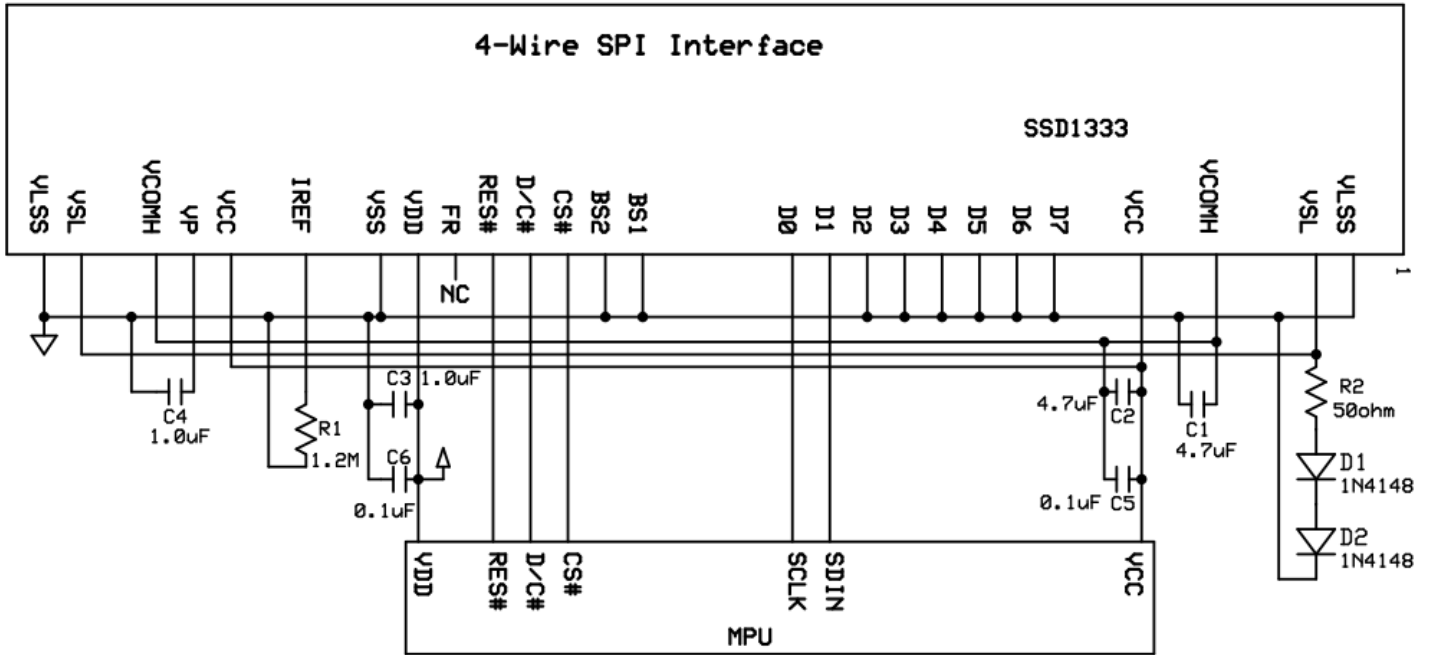
6800 Parallel Interface



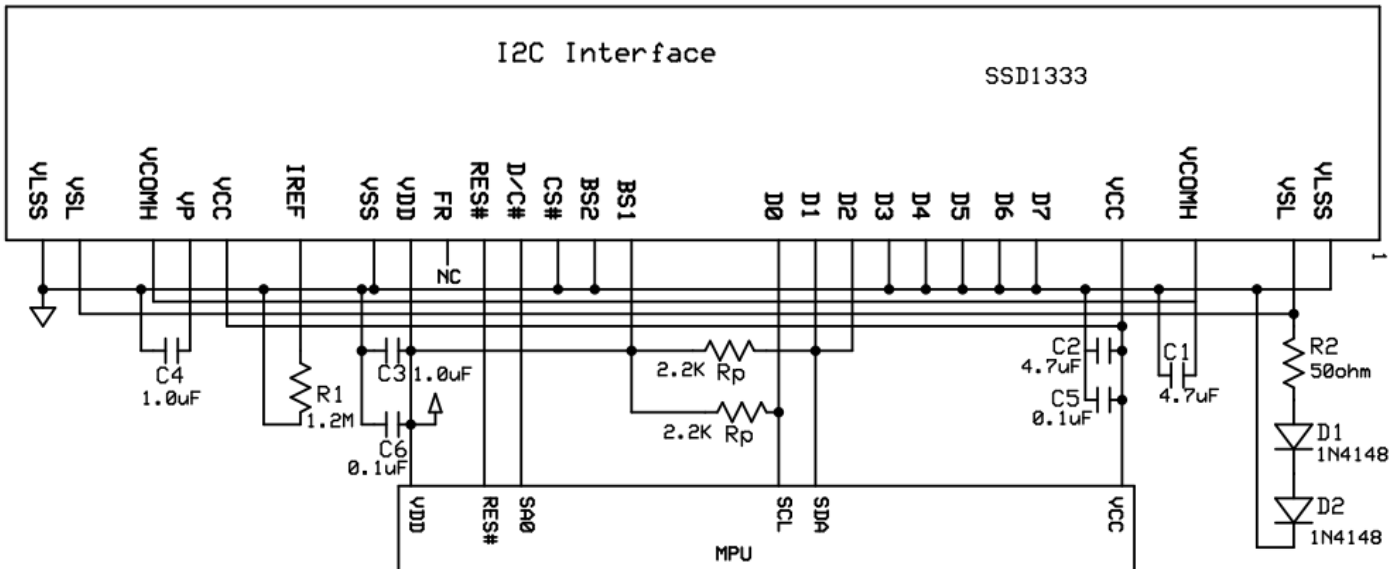
8080 Parallel Interface



4-Wire SPI Interface



I²C Interface



Electrical Characteristics

Item	Symbol	Condition	Min.	Typ.	Max.	Unit
Operating Temperature Range	T _{OP}	Absolute Max	-40	-	+70	°C
Storage Temperature Range	T _{ST}	Absolute Max	-40	-	+85	°C
Supply Voltage for Logic	V _{DD}	-	1.65	1.8	3.5	V
Supply Voltage for Display	V _{CC}	-	16.5	17	17.5	V
Supply Current (Display)	I _{CC}	V _{CC} =17V, 100% ON	-	58	60	mA
Sleep mode Current	I _{CC_SLEEP}	V _{CI} = 1.8V	-	-	10	μA
"H" Level input	V _{IH}	-	0.8*V _{DD}	-	V _{DD}	V
"L" Level input	V _{IL}	-	V _{SS}	-	0.2*V _{DD}	V
"H" Level output	V _{OH}	-	0.9*V _{DD}	-	V _{DD}	V
"L" Level output	V _{OL}	-	V _{SS}	-	0.1*V _{DD}	V

Optical Characteristics

Item	Symbol	Condition	Min.	Typ.	Max.	Unit	
Optimal Viewing Angles	Top	-	-	80	-	°	
	Bottom		φY-	-	80	-	°
	Left		θX-	-	80	-	°
	Right		θX+	-	80	-	°
Contrast Ratio	CR	-	-	>10,000:1	-	-	
Response Time	Rise	-	-	10	-	μs	
	Fall		T _F	-	10	-	μs
Brightness	L _V	-	70	80	-	cd/m ²	
Lifetime	-	80cd/m ² , T _{OP} =25°C, 50% Checkerboard	16,500	-	-	Hrs.	
Chromaticity	Red	X _R	-	0.62	0.66	0.70	-
		Y _R	-	0.29	0.33	0.37	-
	Green	X _G	-	0.26	0.30	0.34	-
		Y _G	-	0.59	0.63	0.67	-
	Blue	X _B	-	0.10	0.14	0.18	-
		Y _B	-	0.14	0.18	0.22	-
	White	X _W	-	0.26	0.30	0.34	-
		Y _W	-	0.29	0.33	0.37	-

Note: Lifetime at typical temperature is based on accelerated high-temperature operation. Lifetime is tested at average 50% pixels on and is rated as Hours until **Half-Brightness**. The Display OFF command can be used to extend the lifetime of the display.

Luminance of active pixels will degrade faster than inactive pixels. Residual (burn-in) images may occur. To avoid this, every pixel should be illuminated uniformly.

Controller information

Built-in SSD1333 Controller: <https://support.newhavendisplay.com/hc/en-us/articles/1125641411767-SSD1333>



Table of Commands

Fundamental Command Table											
D/C#	Hex	D7	D6	D5	D4	D3	D2	D1	D0	Command	Description
0	15	0	0	0	1	0	1	0	1	Set Column Address	A[7:0]: Start Address. [reset=0] B[7:0]: End Address. [reset=175d] Ranges from 0 to 175
1	A[7:0]	A ₇	A ₆	A ₅	A ₄	A ₃	A ₂	A ₁	A ₀		
1	B[7:0]	B ₇	B ₆	B ₅	B ₄	B ₃	B ₂	B ₁	B ₀		
0	75	0	1	1	1	0	1	0	1	Set Row Address	A[7:0]: Start Address. [reset=0] B[7:0]: End Address. [reset=175d] Ranges from 0 to 175
1	A[7:0]	A ₇	A ₆	A ₅	A ₄	A ₃	A ₂	A ₁	A ₀		
1	B[7:0]	B ₇	B ₆	B ₅	B ₄	B ₃	B ₂	B ₁	B ₀		
0	5C	0	1	0	1	1	1	0	0	Write RAM Command	Enable MCU to write Data into RAM
0	5D	0	1	0	1	1	1	0	1	Read RAM Command	Enable MCU to read Data from RAM
0	A0	1	0	1	0	0	0	0	0	Set Re-map / Color Depth (Display RAM to Panel)	A[0]=0b, Horizontal address increment [reset] A[0]=1b, Vertical address increment
1	A[7:0]	A ₇	A ₆	A ₅	A ₄	A ₃	A ₂	A ₁	A ₀		<p>A[1]=0b, Column address 0 is mapped to SEG0 [reset] A[1]=1b, Column address 175 is mapped to SEG0</p> <p>A[2]=0b, Color sequence: A → B → C [reset] A[2]=1b, Color sequence is swapped: C → B → A</p> <p>A[3]=0b, Reserved [reset] A[3]=1b, Reserved</p> <p>A[4]=0b, Scan from COM0 to COM[N-1] [reset] A[4]=1b, Scan from COM[N-1] to COM0. Where N is the Multiplex ratio.</p> <p>A[5]=0b, Disable COM Split Odd Even A[5]=1b, Enable COM Split Odd Even [reset]</p> <p>A[7:6] Set Color Depth, 00b: 256color 01b: 65k color [reset] 10b: 262k color 11b Pseudo 262k color, 16-bit format 2</p> <p>Refer to Product Preview Table 6-7 for details</p>

Fundamental Command Table											
D/C#	Hex	D7	D6	D5	D4	D3	D2	D1	D0	Command	Description
0 1	A1 A[7:0]	1 A ₇	0 A ₆	1 A ₅	0 A ₄	0 A ₃	0 A ₂	0 A ₁	1 A ₀	Set Display Start Line	Set vertical scroll by RAM from 0~175. [reset=00h]
0 1	A2 A[7:0]	1 A ₇	0 A ₆	1 A ₅	0 A ₄	0 A ₃	0 A ₂	1 A ₁	0 A ₀	Set Display Offset	Set vertical scroll by Row from 0-175. [reset=00h]
0	A4~A7	1	0	1	0	0	1	X ₁	X ₀	Set Display Mode	A4h: All OFF A5h: All ON (All pixels have GS63) A6h : Reset to normal display [reset] A7h: Inverse Display (GS0 -> GS63, GS1 -> GS62,)
0	AE~AF	1	0	1	0	1	1	1	X ₀	Set Sleep mode ON/OFF	AEh = Sleep mode On (Display OFF) AFh = Sleep mode OFF (Display ON)
0 1	B1 A[7:0]	1 A ₇	0 A ₆	1 A ₅	1 A ₄	0 A ₃	0 A ₂	0 A ₁	1 A ₀	Set Reset (Phase 1) / Pre-charge (Phase 2) period	A[3:0] Phase 1 period of 2~30 DCLK(s) clocks [reset=0100b] A[3:0]: 0 invalid 1 = 2 DCLKs 2 = 4 DCLKs : 15 = 30DCLKs A[7:4] Phase 2 period of 2~30 DCLK(s) clocks [reset=1000b] A[7:4]: 0 invalid 1 = 2 DCLKs 2 = 4 DCLKs : 15 =30DCLKs Note ⁽¹⁾ 0 DCLK is invalid in phase 1 & phase 2

Fundamental Command Table																																	
D/C#	Hex	D7	D6	D5	D4	D3	D2	D1	D0	Command	Description																						
0	B3	1	0	1	1	0	0	1	1	Front Clock Divider (DivSet)/ Oscillator Frequency	A[3:0] [reset=0000b], divide by DIVSET where <table border="1" style="margin: 10px auto;"> <thead> <tr> <th>A[3:0]</th> <th>DIVSET</th> </tr> </thead> <tbody> <tr><td>0000</td><td>divide by 1</td></tr> <tr><td>0001</td><td>divide by 2</td></tr> <tr><td>0010</td><td>divide by 4</td></tr> <tr><td>0011</td><td>divide by 8</td></tr> <tr><td>0100</td><td>divide by 16</td></tr> <tr><td>0101</td><td>divide by 32</td></tr> <tr><td>0110</td><td>divide by 64</td></tr> <tr><td>0111</td><td>divide by 128</td></tr> <tr><td>1000</td><td>divide by 256</td></tr> <tr><td>>=1001</td><td>invalid</td></tr> </tbody> </table>	A[3:0]	DIVSET	0000	divide by 1	0001	divide by 2	0010	divide by 4	0011	divide by 8	0100	divide by 16	0101	divide by 32	0110	divide by 64	0111	divide by 128	1000	divide by 256	>=1001	invalid
A[3:0]	DIVSET																																
0000	divide by 1																																
0001	divide by 2																																
0010	divide by 4																																
0011	divide by 8																																
0100	divide by 16																																
0101	divide by 32																																
0110	divide by 64																																
0111	divide by 128																																
1000	divide by 256																																
>=1001	invalid																																
1	A[7:0]	A ₇	A ₆	A ₅	A ₄	A ₃	A ₂	A ₁	A ₀	A[7:4] Oscillator frequency, frequency increases as level increases [reset=1001b]																							
0	B6	1	0	1	1	0	1	0	0	Set Second Pre-charge Period	A[3:0] Set Second Pre-charge Period 0000b invalid 0001b 1 DCLKS 0010b 2 DCLKS 1000 8 DCLKS [reset] 1111 15 DCLKS																						
1	A[3:0]	0	0	0	0	A ₃	A ₂	A ₁	A ₀																								
0	B8	1	0	1	1	1	0	0	0	Master Look Up Table for Gray Scale Pulse width (Color A,B,C) Note (1) 0 ≤ Setting of GS1 < Setting of GS2 < Setting of GS3..... < Setting of GS62 < Setting of GS63 (2) GS0 does not has pre-charge and current drive stages. (3) GS1 can be set as only pre-charge but no current drive stage by input gamma setting for GS1 equals 0. (4) When command B8h is input only, color A, B, C will follow the master LUT. (5) When command BCh is input, it selects individual LUT for color A, GS1~31A; When command BDh is input, it selects individual LUT for color C, GS1~31C (6) To select individual LUT for color B, A and C, command B8h should be input before command BCh and BDh,																							
1	A1[7:0]	A1 ₇	A1 ₆	A1 ₅	A1 ₄	A1 ₃	A1 ₂	A1 ₁	A1 ₀		The next 63 data bytes define Gray Scale (GS) Table by setting the gray scale pulse width in unit of DCLK's (ranges from 0d ~ 180d).																						
1	A2[7:0]	A2 ₇	A2 ₆	A2 ₅	A2 ₄	A2 ₃	A2 ₂	A2 ₁	A2 ₀		A1[7:0]: Gamma Setting for GS1, A2[7:0]: Gamma Setting for GS2,																						
1																						
1																						
1																						
1	A62[7:0]	A62 ₇	A62 ₆	A62 ₅	A62 ₄	A62 ₃	A62 ₂	A62 ₁	A62 ₀		A62[7:0]: Gamma Setting for GS62, A63[7:0]: Gamma Setting for GS63																						
1	A63[7:0]	A63 ₇	A63 ₆	A63 ₅	A63 ₄	A63 ₃	A63 ₂	A63 ₁	A63 ₀																								
1																						
1																						

Fundamental Command Table																																																																																																																																																																																																			
D/C#	Hex	D7	D6	D5	D4	D3	D2	D1	D0	Command	Description																																																																																																																																																																																								
0	B9	1	0	1	1	1	0	0	1	Use Built-in Linear LUT [reset= linear]	Reset to default Look Up Table:																																																																																																																																																																																								
											<table border="1"> <thead> <tr> <th>Color A</th> <th>Color B</th> <th>Color C</th> </tr> </thead> <tbody> <tr> <td>GS1A = 0 DCLK</td> <td>GS1B = 0 DCLK</td> <td>GS1C = 0 DCLK</td> </tr> <tr> <td>GS2A = 4 DCLK</td> <td>GS2B = 2 DCLK</td> <td>GS2C = 4 DCLK</td> </tr> <tr> <td>GS3A = 8 DCLK</td> <td>GS3B = 4 DCLK</td> <td>GS3C = 8 DCLK</td> </tr> <tr> <td>...</td> <td>...</td> <td>...</td> </tr> <tr> <td>GS31A = 120 DCLK</td> <td>GS62B = 122 DCLK</td> <td>GS31C = 120 DCLK</td> </tr> <tr> <td></td> <td></td> <td></td> <td></td> <td></td> <td></td> <td></td> <td></td> <td></td> <td></td> <td></td> <td></td> </tr> <tr> <td>0</td> <td>BB</td> <td>1</td> <td>0</td> <td>1</td> <td>1</td> <td>1</td> <td>0</td> <td>1</td> <td>1</td> <td rowspan="2">Set Pre-charge voltage</td> <td rowspan="2">Set pre-charge voltage level. [reset = 01111b]</td> </tr> <tr> <td>1</td> <td>A[4:0]</td> <td>0</td> <td>0</td> <td>0</td> <td>A₄</td> <td>A₃</td> <td>A₂</td> <td>A₁</td> <td>A₀</td> <td> <table border="1"> <thead> <tr> <th>A[4:0]</th> <th>Hex code</th> <th>pre-charge voltage</th> </tr> </thead> <tbody> <tr> <td>00000</td> <td>00h</td> <td>0.10 x V_{CC}</td> </tr> <tr> <td>:</td> <td>:</td> <td>:</td> </tr> <tr> <td>10111</td> <td>17h</td> <td>0.40 x V_{CC} [reset]</td> </tr> <tr> <td>:</td> <td>:</td> <td>:</td> </tr> <tr> <td>11111</td> <td>1Fh</td> <td>0.5133 x V_{CC}</td> </tr> </tbody> </table> </td> </tr> <tr> <td></td> <td></td> <td></td> <td></td> <td></td> <td></td> <td></td> <td></td> <td></td> <td></td> <td></td> <td> <p>Note</p> <p>⁽¹⁾Pre-charge voltage level must be smaller than COM deselect voltage level</p> </td> </tr> <tr> <td>0</td> <td>BC</td> <td>1</td> <td>0</td> <td>1</td> <td>1</td> <td>1</td> <td>1</td> <td>0</td> <td>0</td> <td rowspan="10">Individual Look Up Table for Gray Scale Pulse width (Color A)</td> <td rowspan="10">The next 31 data bytes define Gray Scale (GS) Table by setting the gray scale pulse width in unit of DCLK's (ranges from 0d ~ 180d) for color A.</td> </tr> <tr> <td>1</td> <td>A1[7:0]</td> <td>A1₇</td> <td>A1₆</td> <td>A1₅</td> <td>A1₄</td> <td>A1₃</td> <td>A1₂</td> <td>A1₁</td> <td>A1₀</td> <td>A1[7:0]: Gamma Setting for GS1A,</td> </tr> <tr> <td>1</td> <td>A2[7:0]</td> <td>A2₇</td> <td>A2₆</td> <td>A2₅</td> <td>A2₄</td> <td>A2₃</td> <td>A2₂</td> <td>A2₁</td> <td>A2₀</td> <td>A2[7:0]: Gamma Setting for GS2A,</td> </tr> <tr> <td>1</td> <td>.</td> <td>.</td> <td>.</td> <td>.</td> <td>.</td> <td>.</td> <td>.</td> <td>.</td> <td>.</td> <td>:</td> </tr> <tr> <td>1</td> <td>.</td> <td>.</td> <td>.</td> <td>.</td> <td>.</td> <td>.</td> <td>.</td> <td>.</td> <td>.</td> <td>.</td> </tr> <tr> <td>1</td> <td>.</td> <td>.</td> <td>.</td> <td>.</td> <td>.</td> <td>.</td> <td>.</td> <td>.</td> <td>.</td> <td>.</td> </tr> <tr> <td>1</td> <td>A30[7:0]</td> <td>A30₇</td> <td>A30₆</td> <td>A30₅</td> <td>A30₄</td> <td>A30₃</td> <td>A30₂</td> <td>A30₁</td> <td>A30₀</td> <td>A30[7:0]: Gamma Setting for GS30A,</td> </tr> <tr> <td>1</td> <td>A31[7:0]</td> <td>A31₇</td> <td>A31₆</td> <td>A31₅</td> <td>A31₄</td> <td>A31₃</td> <td>A31₂</td> <td>A31₁</td> <td>A31₀</td> <td>A31[7:0]: Gamma Setting for GS31A</td> </tr> <tr> <td></td> <td></td> <td></td> <td></td> <td></td> <td></td> <td></td> <td></td> <td></td> <td></td> <td></td> <td> <p>Note</p> <p>⁽¹⁾ 0 ≤ Setting of GS1 < Setting of GS2 < Setting of GS3..... < Setting of GS30 < Setting of GS31</p> <p>⁽²⁾ GS0 does not has pre-charge and current drive stages.</p> <p>⁽³⁾ GS1 can be set as only pre-charge but no current drive stage by input gamma setting for GS1 equals 0.</p> <p>⁽⁴⁾ When command B8h is input, it selects one LUT for color A, B and C. i.e. GS1~31A, GS1~63B and GS1~31C are updated.</p> <p>⁽⁵⁾ Command B8h should be input before command BCh and BDh to select individual LUT for color B, A and C.</p> </td> </tr> </tbody> </table>	Color A	Color B	Color C	GS1A = 0 DCLK	GS1B = 0 DCLK	GS1C = 0 DCLK	GS2A = 4 DCLK	GS2B = 2 DCLK	GS2C = 4 DCLK	GS3A = 8 DCLK	GS3B = 4 DCLK	GS3C = 8 DCLK	GS31A = 120 DCLK	GS62B = 122 DCLK	GS31C = 120 DCLK													0	BB	1	0	1	1	1	0	1	1	Set Pre-charge voltage	Set pre-charge voltage level. [reset = 01111b]	1	A[4:0]	0	0	0	A ₄	A ₃	A ₂	A ₁	A ₀	<table border="1"> <thead> <tr> <th>A[4:0]</th> <th>Hex code</th> <th>pre-charge voltage</th> </tr> </thead> <tbody> <tr> <td>00000</td> <td>00h</td> <td>0.10 x V_{CC}</td> </tr> <tr> <td>:</td> <td>:</td> <td>:</td> </tr> <tr> <td>10111</td> <td>17h</td> <td>0.40 x V_{CC} [reset]</td> </tr> <tr> <td>:</td> <td>:</td> <td>:</td> </tr> <tr> <td>11111</td> <td>1Fh</td> <td>0.5133 x V_{CC}</td> </tr> </tbody> </table>	A[4:0]	Hex code	pre-charge voltage	00000	00h	0.10 x V _{CC}	:	:	:	10111	17h	0.40 x V _{CC} [reset]	:	:	:	11111	1Fh	0.5133 x V _{CC}												<p>Note</p> <p>⁽¹⁾Pre-charge voltage level must be smaller than COM deselect voltage level</p>	0	BC	1	0	1	1	1	1	0	0	Individual Look Up Table for Gray Scale Pulse width (Color A)	The next 31 data bytes define Gray Scale (GS) Table by setting the gray scale pulse width in unit of DCLK's (ranges from 0d ~ 180d) for color A.	1	A1[7:0]	A1 ₇	A1 ₆	A1 ₅	A1 ₄	A1 ₃	A1 ₂	A1 ₁	A1 ₀	A1[7:0]: Gamma Setting for GS1A,	1	A2[7:0]	A2 ₇	A2 ₆	A2 ₅	A2 ₄	A2 ₃	A2 ₂	A2 ₁	A2 ₀	A2[7:0]: Gamma Setting for GS2A,	1	:	1	1	1	A30[7:0]	A30 ₇	A30 ₆	A30 ₅	A30 ₄	A30 ₃	A30 ₂	A30 ₁	A30 ₀	A30[7:0]: Gamma Setting for GS30A,	1	A31[7:0]	A31 ₇	A31 ₆	A31 ₅	A31 ₄	A31 ₃	A31 ₂	A31 ₁	A31 ₀	A31[7:0]: Gamma Setting for GS31A												<p>Note</p> <p>⁽¹⁾ 0 ≤ Setting of GS1 < Setting of GS2 < Setting of GS3..... < Setting of GS30 < Setting of GS31</p> <p>⁽²⁾ GS0 does not has pre-charge and current drive stages.</p> <p>⁽³⁾ GS1 can be set as only pre-charge but no current drive stage by input gamma setting for GS1 equals 0.</p> <p>⁽⁴⁾ When command B8h is input, it selects one LUT for color A, B and C. i.e. GS1~31A, GS1~63B and GS1~31C are updated.</p> <p>⁽⁵⁾ Command B8h should be input before command BCh and BDh to select individual LUT for color B, A and C.</p>
Color A	Color B	Color C																																																																																																																																																																																																	
GS1A = 0 DCLK	GS1B = 0 DCLK	GS1C = 0 DCLK																																																																																																																																																																																																	
GS2A = 4 DCLK	GS2B = 2 DCLK	GS2C = 4 DCLK																																																																																																																																																																																																	
GS3A = 8 DCLK	GS3B = 4 DCLK	GS3C = 8 DCLK																																																																																																																																																																																																	
...																																																																																																																																																																																																	
GS31A = 120 DCLK	GS62B = 122 DCLK	GS31C = 120 DCLK																																																																																																																																																																																																	
0	BB	1	0	1	1	1	0	1	1	Set Pre-charge voltage	Set pre-charge voltage level. [reset = 01111b]																																																																																																																																																																																								
1	A[4:0]	0	0	0	A ₄	A ₃	A ₂	A ₁	A ₀			<table border="1"> <thead> <tr> <th>A[4:0]</th> <th>Hex code</th> <th>pre-charge voltage</th> </tr> </thead> <tbody> <tr> <td>00000</td> <td>00h</td> <td>0.10 x V_{CC}</td> </tr> <tr> <td>:</td> <td>:</td> <td>:</td> </tr> <tr> <td>10111</td> <td>17h</td> <td>0.40 x V_{CC} [reset]</td> </tr> <tr> <td>:</td> <td>:</td> <td>:</td> </tr> <tr> <td>11111</td> <td>1Fh</td> <td>0.5133 x V_{CC}</td> </tr> </tbody> </table>	A[4:0]	Hex code	pre-charge voltage	00000	00h	0.10 x V _{CC}	:	:	:	10111	17h	0.40 x V _{CC} [reset]	:	:	:	11111	1Fh	0.5133 x V _{CC}																																																																																																																																																																					
A[4:0]	Hex code	pre-charge voltage																																																																																																																																																																																																	
00000	00h	0.10 x V _{CC}																																																																																																																																																																																																	
:	:	:																																																																																																																																																																																																	
10111	17h	0.40 x V _{CC} [reset]																																																																																																																																																																																																	
:	:	:																																																																																																																																																																																																	
11111	1Fh	0.5133 x V _{CC}																																																																																																																																																																																																	
											<p>Note</p> <p>⁽¹⁾Pre-charge voltage level must be smaller than COM deselect voltage level</p>																																																																																																																																																																																								
0	BC	1	0	1	1	1	1	0	0	Individual Look Up Table for Gray Scale Pulse width (Color A)	The next 31 data bytes define Gray Scale (GS) Table by setting the gray scale pulse width in unit of DCLK's (ranges from 0d ~ 180d) for color A.																																																																																																																																																																																								
1	A1[7:0]	A1 ₇	A1 ₆	A1 ₅	A1 ₄	A1 ₃	A1 ₂	A1 ₁	A1 ₀			A1[7:0]: Gamma Setting for GS1A,																																																																																																																																																																																							
1	A2[7:0]	A2 ₇	A2 ₆	A2 ₅	A2 ₄	A2 ₃	A2 ₂	A2 ₁	A2 ₀			A2[7:0]: Gamma Setting for GS2A,																																																																																																																																																																																							
1			:																																																																																																																																																																																							
1																																																																																																																																																																																							
1																																																																																																																																																																																							
1	A30[7:0]	A30 ₇	A30 ₆	A30 ₅	A30 ₄	A30 ₃	A30 ₂	A30 ₁	A30 ₀			A30[7:0]: Gamma Setting for GS30A,																																																																																																																																																																																							
1	A31[7:0]	A31 ₇	A31 ₆	A31 ₅	A31 ₄	A31 ₃	A31 ₂	A31 ₁	A31 ₀			A31[7:0]: Gamma Setting for GS31A																																																																																																																																																																																							
													<p>Note</p> <p>⁽¹⁾ 0 ≤ Setting of GS1 < Setting of GS2 < Setting of GS3..... < Setting of GS30 < Setting of GS31</p> <p>⁽²⁾ GS0 does not has pre-charge and current drive stages.</p> <p>⁽³⁾ GS1 can be set as only pre-charge but no current drive stage by input gamma setting for GS1 equals 0.</p> <p>⁽⁴⁾ When command B8h is input, it selects one LUT for color A, B and C. i.e. GS1~31A, GS1~63B and GS1~31C are updated.</p> <p>⁽⁵⁾ Command B8h should be input before command BCh and BDh to select individual LUT for color B, A and C.</p>																																																																																																																																																																																						

Fundamental Command Table

D/C#	Hex	D7	D6	D5	D4	D3	D2	D1	D0	Command	Description																		
0	BD	1	0	1	1	1	1	0	1	Individual Look Up Table for Gray Scale Pulse width (Color C)	The next 31 data bytes define Gray Scale (GS) Table by setting the gray scale pulse width in unit of DCLK's (ranges from 0d ~ 180d) for color C. A1[7:0]: Gamma Setting for GS1C, A2[7:0]: Gamma Setting for GS2C, : A30[7:0]: Gamma Setting for GS30C, A31[7:0]: Gamma Setting for GS31C Note (1) $0 \leq \text{Setting of GS1} < \text{Setting of GS2} < \text{Setting of GS3} \dots < \text{Setting of GS30} < \text{Setting of GS31}$ (2) GS0 does not has pre-charge and current drive stages. (3) GS1 can be set as only pre-charge but no current drive stage by input gamma setting for GS1 equals 0. (4) When command B8h is input, it selects one LUT for color A, B and C. i.e. GS1~31A, GS1~63B and GS1~31C are updated. (5) Command B8h should be input before command BCh and BDh to select individual LUT for color B, A and C.																		
1	A1[7:0]	A1 ₇	A1 ₆	A1 ₅	A1 ₄	A1 ₃	A1 ₂	A1 ₁	A1 ₀																				
1	A2[7:0]	A2 ₇	A2 ₆	A2 ₅	A2 ₄	A2 ₃	A2 ₂	A2 ₁	A2 ₀																				
1																				
1																				
1																				
1	A30[7:0]	A30 ₇	A30 ₆	A30 ₅	A30 ₄	A30 ₃	A30 ₂	A30 ₁	A30 ₀																				
1	A31[7:0]	A31 ₇	A31 ₆	A31 ₅	A31 ₄	A31 ₃	A31 ₂	A31 ₁	A31 ₀																				
0	BE	1	0	1	1	1	1	1	0			Set V _{COMH} Voltage	Set COM deselect voltage level [reset = 05h]																
1	A[2:0]	0	0	0	0	0	A ₂	A ₁	A ₀																				
											<table border="1"> <thead> <tr> <th>A[2:0]</th> <th>Hex code</th> <th>V_{COMH}</th> </tr> </thead> <tbody> <tr> <td>000</td> <td>00h</td> <td>0.72 x V_{CC}</td> </tr> <tr> <td>:</td> <td>:</td> <td>:</td> </tr> <tr> <td>101</td> <td>05h</td> <td>0.82 x V_{CC} [reset]</td> </tr> <tr> <td>:</td> <td>:</td> <td>:</td> </tr> <tr> <td>111</td> <td>07h</td> <td>0.86 x V_{CC}</td> </tr> </tbody> </table>	A[2:0]	Hex code	V _{COMH}	000	00h	0.72 x V _{CC}	:	:	:	101	05h	0.82 x V _{CC} [reset]	:	:	:	111	07h	0.86 x V _{CC}
A[2:0]	Hex code	V _{COMH}																											
000	00h	0.72 x V _{CC}																											
:	:	:																											
101	05h	0.82 x V _{CC} [reset]																											
:	:	:																											
111	07h	0.86 x V _{CC}																											
0	C1	1	1	0	0	0	0	0	1	Set Contrast Current for Color A,B,C	A[7:0] Contrast Value Color A [reset=7Fh]																		
1	A[7:0]	A ₇	A ₆	A ₅	A ₄	A ₃	A ₂	A ₁	A ₀		B[7:0] Contrast Value Color B [reset=7Fh]																		
1	B[7:0]	B ₇	B ₆	B ₅	B ₄	B ₃	B ₂	B ₁	B ₀		C[7:0] Contrast Value Color C [reset=7Fh]																		
1	C[7:0]	C ₇	C ₆	C ₅	C ₄	C ₃	C ₂	C ₁	C ₀																				
0	C7	1	1	0	0	0	1	1	1	Master Contrast Current Control	A[3:0] :																		
1	A[3:0]	0	0	0	0	A ₃	A ₂	A ₁	A ₀		0000b reduce output currents for all colors to 1/16 0001b reduce output currents for all colors to 2/16 1110b reduce output currents for all colors to 15/16 1111b no change [reset]																		
0	CA	1	1	0	0	1	0	1	0	Set MUX Ratio	A[6:0] MUX ratio 4MUX ~ 176MUX, [reset=175]																		
1	A[7:0]	A ₇	A ₆	A ₅	A ₄	A ₃	A ₂	A ₁	A ₀		(Ranges from 3 to 175)																		
0	E3	1	1	1	0	0	0	1	1	NOP	Command for No Operation																		

Fundamental Command Table											
D/C#	Hex	D7	D6	D5	D4	D3	D2	D1	D0	Command	Description
0	FD	1	1	1	1	1	1	0	1		A[7:0]: MCU protection status [reset = 12h]
1	A[7:0]	A ₇	A ₆	A ₅	A ₄	A ₃	A ₂	A ₁	A ₀	Set Command Lock	A[7:0] = 12h, Unlock OLED driver IC MCU interface from entering command [reset] A[7:0] = 16h, Lock OLED driver IC MCU interface from entering command Note ⁽¹⁾ The locked OLED driver IC MCU interface prohibits all commands and memory access except the FDh command.

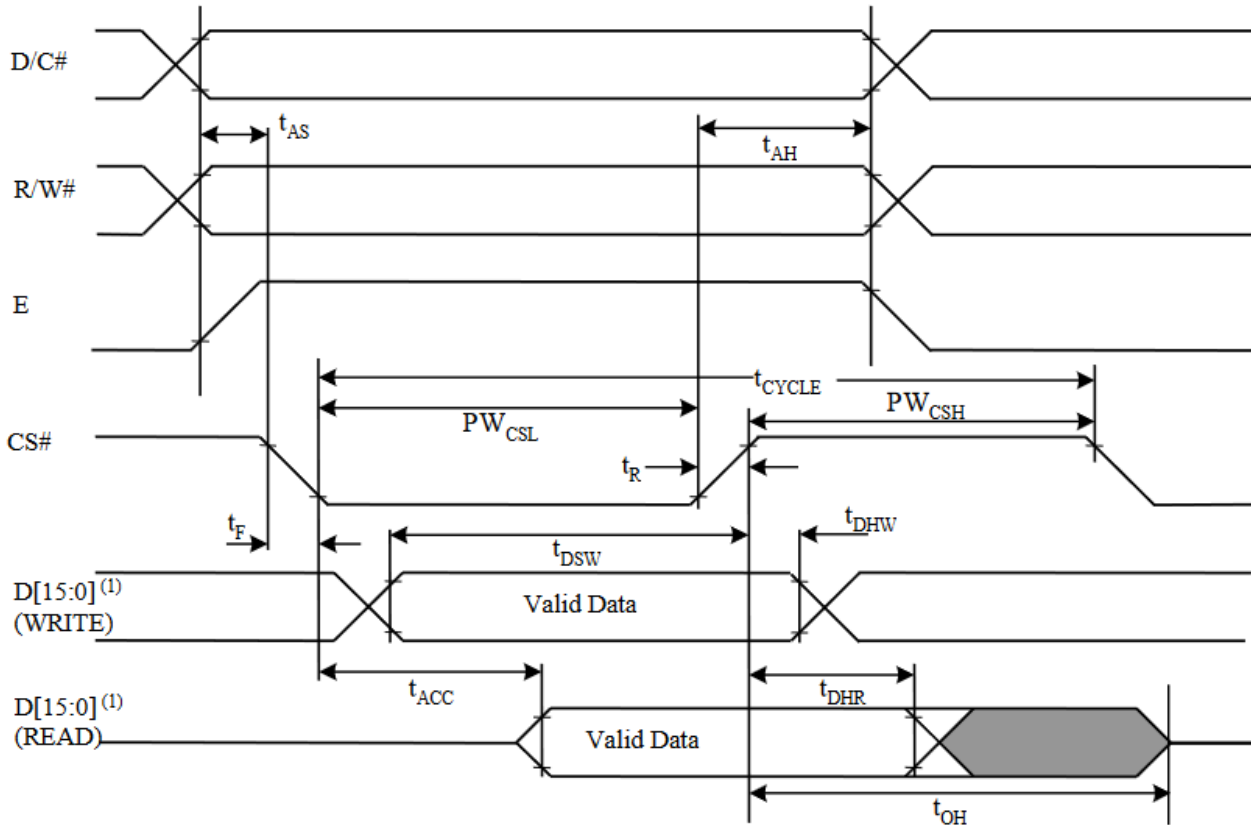
Note

⁽¹⁾ “*” stands for “Don’t care”.

Timing Characteristics

6800-Series MCU Parallel Interface:

Symbol	Parameter	Min	Typ	Max	Unit
t_{CYCLE}	Clock Cycle Time (write)	300	-	-	ns
t_{AS}	Address Setup Time	24	-	-	ns
t_{AH}	Address Hold Time	0	-	-	ns
t_{DSW}	Write Data Setup Time	40	-	-	ns
t_{DHW}	Write Data Hold Time	20	-	-	ns
t_{DHR}	Read Data Hold Time	20	-	-	ns
t_{OH}	Output Disable Time	-	-	70	ns
t_{ACC}	Access Time	-	-	180	ns
PW_{CSL}	Chip Select Low Pulse Width (read) Chip Select Low Pulse Width (write)	160 60	-	-	ns
PW_{CSH}	Chip Select High Pulse Width (read) Chip Select High Pulse Width (write)	60 60	-	-	ns
t_R	Rise Time	-	-	15	ns
t_F	Fall Time	-	-	15	ns

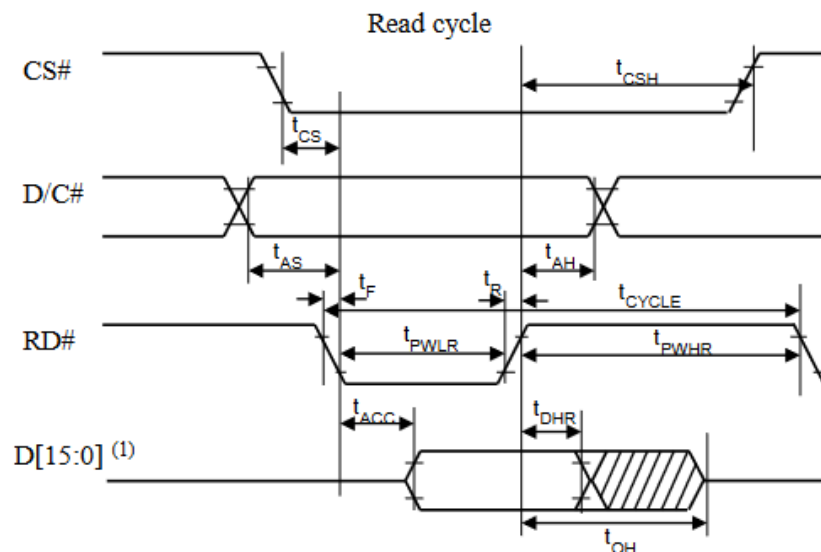
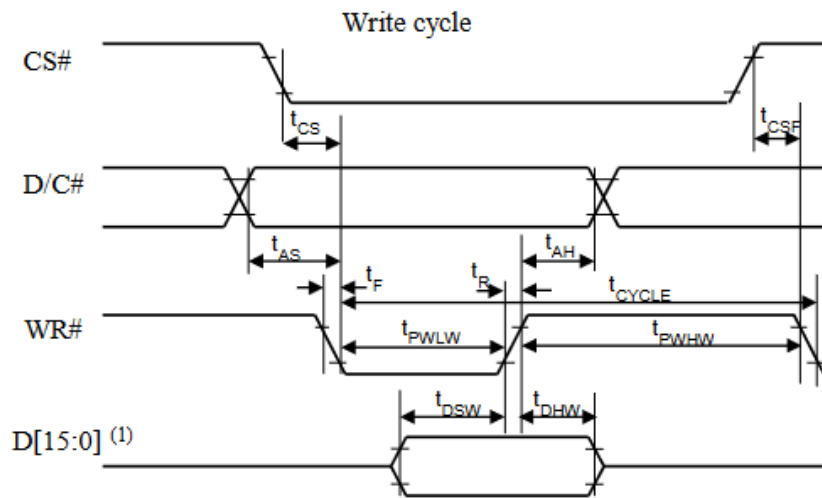


Note

⁽¹⁾ when 8 bit used: D[7:0] instead; when 16 bit used: D[15:0] instead.

8080-Series MCU Parallel Interface:

Symbol	Parameter	Min	Typ	Max	Unit
t_{CYCLE}	Clock Cycle Time (write)	300	-	-	ns
t_{AS}	Address Setup Time	10	-	-	ns
t_{AH}	Address Hold Time	0	-	-	ns
t_{DSW}	Write Data Setup Time	40	-	-	ns
t_{DHW}	Write Data Hold Time	20	-	-	ns
t_{DHR}	Read Data Hold Time	20	-	-	ns
t_{OH}	Output Disable Time	-	-	46	ns
t_{ACC}	Access Time	-	-	180	ns
t_{PWLW}	Read Low Time	160	-	-	ns
t_{PWLW}	Write Low Time	60	-	-	ns
t_{PWHW}	Read High Time	60	-	-	ns
t_{PWHW}	Write High Time	60	-	-	ns
t_R	Rise Time	-	-	15	ns
t_F	Fall Time	-	-	15	ns
t_{CS}	Chip select setup time	0	-	-	ns
t_{CSH}	Chip select hold time to read signal	0	-	-	ns
t_{CSF}	Chip select hold time	20	-	-	ns

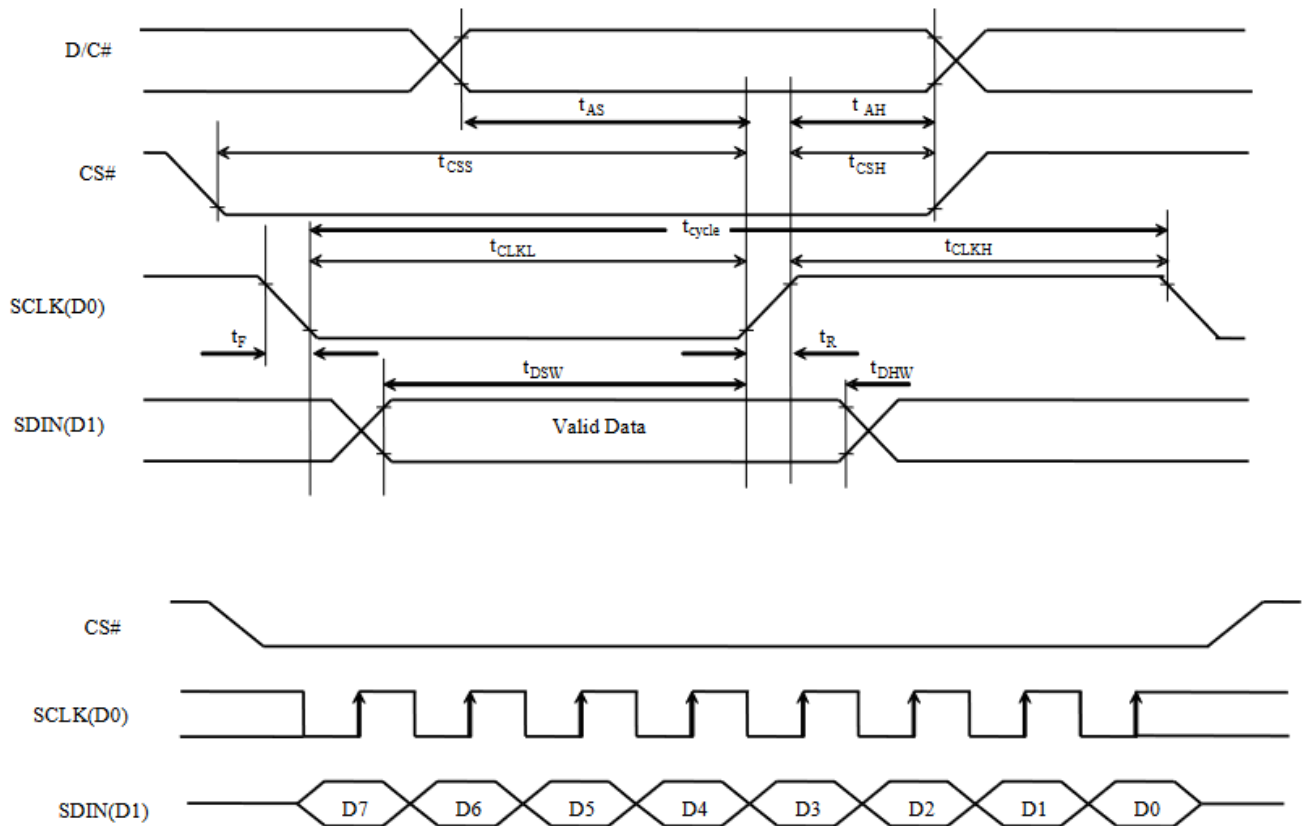

Note

⁽¹⁾ when 8 bit used: D[7:0] instead; when 16 bit used: [15:0] instead.



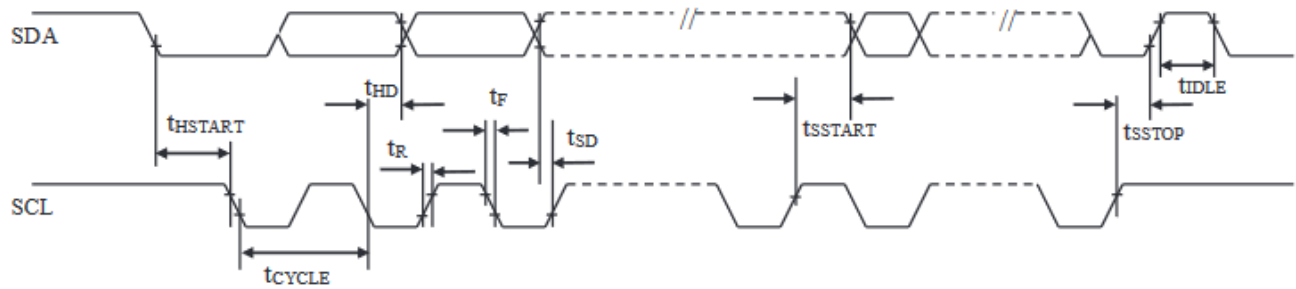
4-wire SPI:

Symbol	Parameter	Min	Typ	Max	Unit
t_{cycle}	Clock Cycle Time	100	-	-	ns
t_{AS}	Address Setup Time	15	-	-	ns
t_{AH}	Address Hold Time	42	-	-	ns
t_{CSS}	Chip Select Setup Time	20	-	-	ns
t_{CSH}	Chip Select Hold Time	20	-	-	ns
t_{DSW}	Write Data Setup Time	15	-	-	ns
t_{DHW}	Write Data Hold Time	25	-	-	ns
t_{CLKL}	Clock Low Time	30	-	-	ns
t_{CLKH}	Clock High Time	30	-	-	ns
t_{R}	Rise Time	-	-	15	ns
t_{F}	Fall Time	-	-	15	ns



I2C:

Symbol	Parameter	Min	Typ	Max	Unit
t_{cycle}	Clock Cycle Time	2.5	-	-	us
t_{HSTART}	Start condition Hold Time	0.6	-	-	us
t_{HD}	Data Hold Time (for "SDA _{OUT} " pin)	0	-	-	ns
	Data Hold Time (for "SDA _{IN} " pin)	300	-	-	ns
t_{SD}	Data Setup Time	100	-	-	ns
t_{SSTART}	Start condition Setup Time (Only relevant for a repeated Start condition)	0.6	-	-	us
t_{SSTOP}	Stop condition Setup Time	0.6	-	-	us
t_{R}	Rise Time for data and clock pin	-	-	300	ns
t_{F}	Fall Time for data and clock pin	-	-	300	ns
t_{IDLE}	Idle Time before a new transmission can start	1.3	-	-	us

Figure 9-5 : I²C interface Timing characteristics


Example Initialization Sequence

```

void Init_OLED(void)
{
    digitalWrite(P16,LOW);          //RES
    delay(10);
    digitalWrite(P16,HIGH);        //RES
    Set_Command_Lock(0x12);        // Unlock Driver IC
    Set_Display_On_Off(0xAE);      // Display Off
    Set_Remap_Format(0x64);        // Set Horizontal Address Increment
    Set_Start_Line(0x00);         // Set Mapping RAM Display Start Line
    Set_Display_Offset(0x00);     // Shift Mapping RAM Counter
    Set_Display_Mode(0xA6);        // Normal Display Mode
    Set_Phase_Length(0x24);
    Set_Display_Clock(0x80);
    Set_Precharge_Period(0x0F);   // Set Second Pre-Charge Period
    Set_Precharge_Voltage(0x1F);  // Set Pre-Charge Voltage Level as 0.40*VCC
    Set_VCOMH(0x05);              // Set Common Pins Deselect Voltage Level as
0.82*VCC
    Set_Contrast_Color(0x3C,0x39,0x43); // Set Contrast of Color A
    Set_Master_Current(0x0F);     // Set Scale Factor of Segment Output Current
Control
    Set_Multiplex_Ratio(0xAF);     // 1/128 Duty (Max_Row)
    command(0xB8);                 //Gamma Look-Up Table
    data(0x00); //1
    data(0x02); //2
    data(0x04); //3
    data(0x06); //4
    data(0x07); //5
    data(0x08); //6
    data(0x09); //7
    data(0x0a); //8
    data(0x0b); //9
    data(0x0c); //10
    data(0x0d); //11
    data(0x0e); //12
    data(0x10); //13
    data(0x11); //14
    data(0x12); //15
    data(0x14); //16
    data(0x15); //17
    data(0x16); //18
    data(0x18); //19
    data(0x1a); //20
    data(0x1b); //21
    data(0x1d); //22
    data(0x1f); //23
    data(0x20); //24
    data(0x22); //25
    data(0x24); //26
    data(0x26); //27
    data(0x27); //28
    data(0x29); //29
    data(0x2b); //30
    data(0x2d); //31
    data(0x2f); //32
    data(0x31); //33
    data(0x33); //34
    data(0x35); //35
    data(0x37); //36
    data(0x39); //37

```

```
data(0x3b); //38
data(0x3d); //39
data(0x3f); //40
data(0x42); //41
data(0x44); //42
data(0x46); //43
data(0x48); //44
data(0x4b); //45
data(0x4d); //46
data(0x50); //47
data(0x52); //48
data(0x55); //49
data(0x57); //50
data(0x5a); //51
data(0x5b); //52
data(0x5f); //53
data(0x62); //54
data(0x65); //55
data(0x67); //56
data(0x6a); //57
data(0x6d); //58
data(0x70); //59
data(0x73); //60
data(0x76); //61
data(0x79); //62
data(0x7c); //63
Set_Display_On_Off(0xAF);           // Display On
}
```

Quality Information

Test Item	Content of Test	Test Condition	Note
High Temperature storage	Test the endurance of the display at high storage temperature.	+85°C, 240hrs	2
Low Temperature storage	Test the endurance of the display at low storage temperature.	-40°C, 240hrs	1,2
High Temperature Operation	Test the endurance of the display by applying electric stress (voltage & current) at high temperature.	+70°C, 240hrs	2
Low Temperature Operation	Test the endurance of the display by applying electric stress (voltage & current) at low temperature.	-40°C, 240hrs	1,2
High Temperature / Humidity Operation	Test the endurance of the display by applying electric stress (voltage & current) at high temperature with high humidity.	+65°C, 90% RH, 96hrs	1,2
Thermal Shock resistance	Test the endurance of the display by applying electric stress (voltage & current) during a cycle of low and high temperatures.	-40°C, 30min-> 85°C,30min = 1 cycle 20 cycles	
Vibration test	Test the endurance of the display by applying vibration to simulate transportation and use.	5-50Hz, 0.5G 2hrs in each of 3 directions X,Y,Z	3
Static electricity test	Test the endurance of the display by applying electric static discharge.	Air discharge ±8kV 10 times	

Note 1: No condensation to be observed.

Note 2: Conducted after 2 hours of storage at 25°C, 0%RH.

Note 3: Test performed on product itself, not inside a container.

Product Specification

NHD- 1.91-176176UBC3

Full Color Graphic OLED Display Module

NHD-	Newhaven Display
1.91-	1.91" Diagonal Size
176176-	176 x 176 Pixels
UB-	Model
C-	Full Color
3-	3V Power Supply

Table of Contents

Document Revision History.....	2
Mechanical Drawing	3
Pin Description	4
Interface Selection.....	5
Wiring Diagram	5
Electrical Characteristics	6
Optical Characteristics	6
Controller information.....	6
Table of Commands.....	7
Timing Characteristics.....	13
Example Initialization Sequence.....	17
Quality Information.....	19

Additional Resources

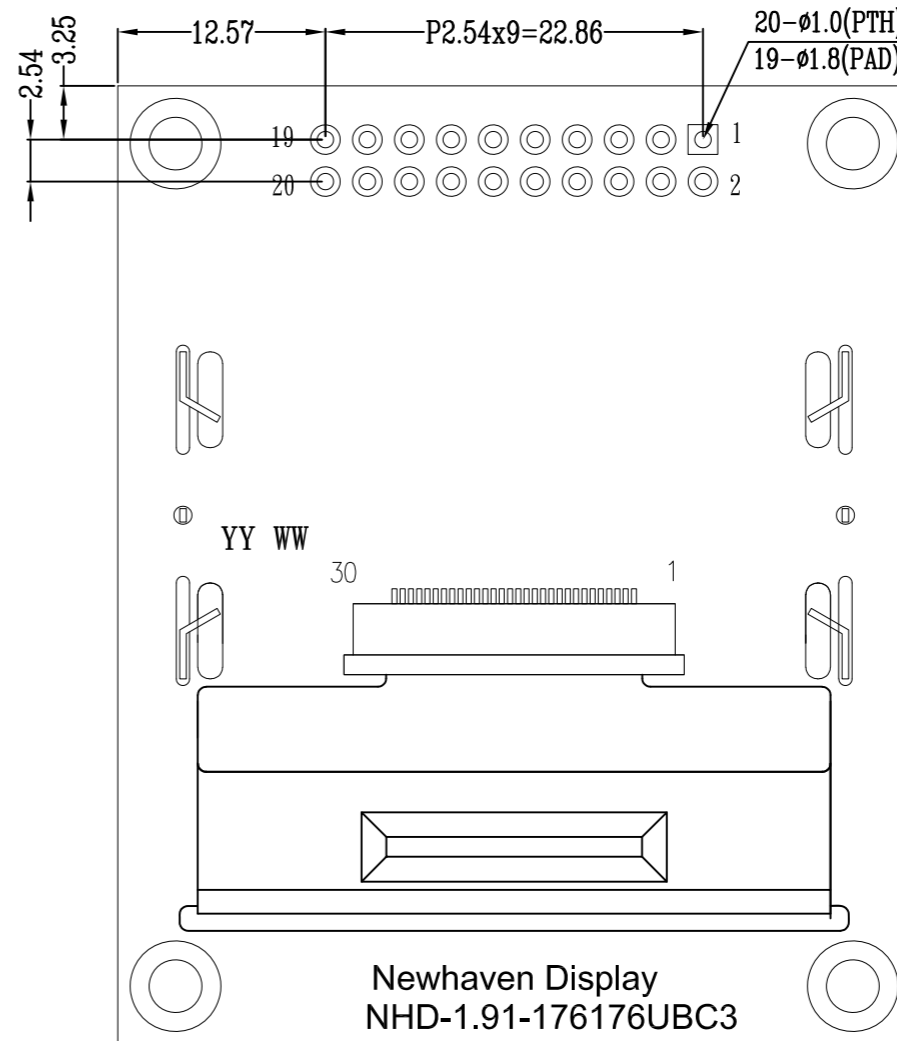
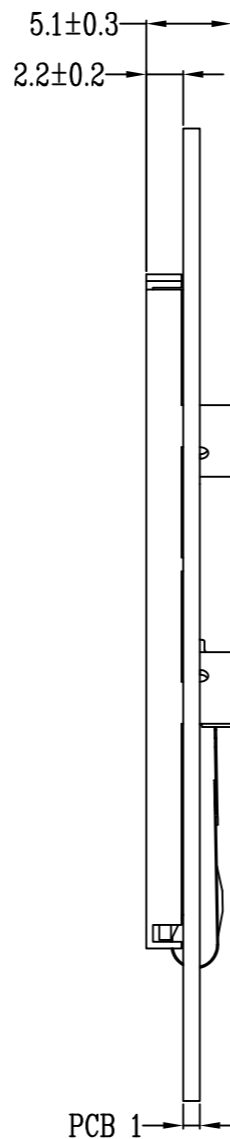
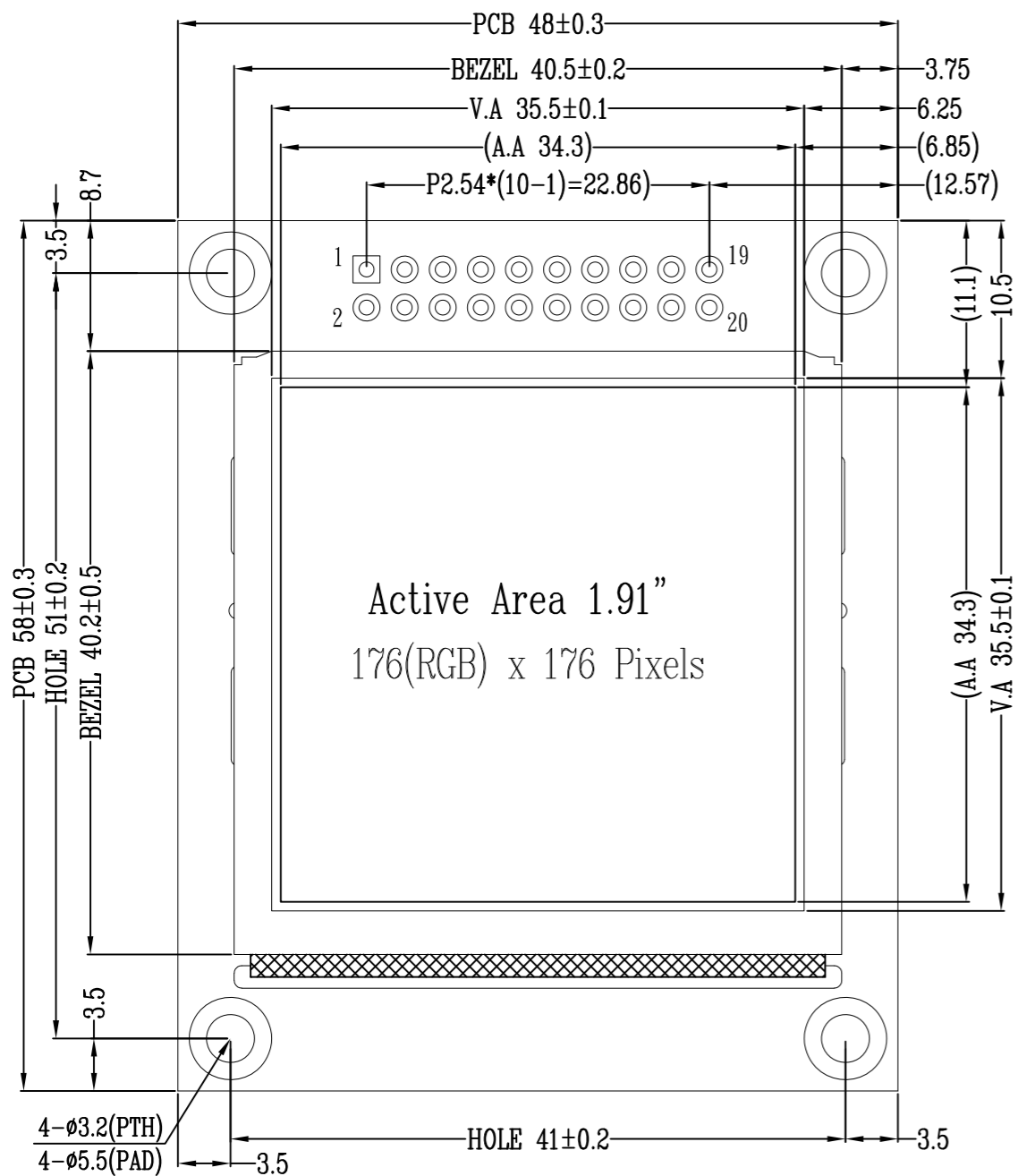
- **Support Forum:** <https://support.newhavendisplay.com/hc/en-us/community/topics>
- **GitHub:** <https://github.com/newhavendisplay>
- **Example Code:** <https://support.newhavendisplay.com/hc/en-us/categories/4409527834135-Example-Code/>
- **Knowledge Center:** https://www.newhavendisplay.com/knowledge_center.html
- **Quality Center:** https://www.newhavendisplay.com/quality_center.html
- **Precautions for using LCDs/LCMs:** <https://www.newhavendisplay.com/specs/precautions.pdf>
- **Warranty / Terms & Conditions:** <https://www.newhavendisplay.com/terms.html>



Document Revision History

Revision	Date	Description	Changed By
-	04/29/2024	Initial Release	KL

Mechanical Drawing



Pin Assignment	
NO.	SYMBOL
1	GND
2	VDD
3	NC
4	D/C#
5	R/W#
6	E
7	DB0
8	DB1
9	DB2
10	DB3
11	DB4
12	DB5
13	DB6
14	DB7
15	GND
16	RES#
17	CS#
18	GND
19	BS1
20	BS2

Product Description: 1.91" 176x176 Color OLED

1. Driver IC: SSD1333
2. Interface: 8-bit 6800/8080 Parallel, 4-wire SPI, I²C
3. Power Requirement: 3.3V OLED
4. Optical Features: Full Color, Full View
5. Recommended Pin Header: 2x10pin 2.54mm pitch

Standard Tolerance: (Unless otherwise specified) Linear: ±0.3mm		
	Drawing/Part Number: NHD-1.91-176176UBC3	Revision: -
Unless otherwise specified: • Dimensions are in Millimeters • Third Angle Projection	Drawn By: K. Lewis	Approved By: K. Lewis
	Drawn Date: 04/29/2024	Approved Date: 04/29/2024
This drawing is solely the property of Newhaven Display International, Inc. The information it contains is not to be disclosed, reproduced or copied in whole or part without written approval from Newhaven Display.		

Pin Description

Parallel Interface:

Pin No.	Symbol	External Connection	Function Description
1	GND	Power Supply	Ground
2	V _{DD}	Power Supply	Supply Voltage for OLED and logic.
3	NC	-	No Connect
4	D/C#	MPU	Register select signal. D/C=0: Command, D/C=1: Data
5	R/W# WR#	MPU	6800-interface: Read/Write select signal, R/W=1: Read R/W=0: Write 8080-interface: Active LOW Write signal.
6	E RD#	MPU	6800-interface: Operation enable signal. Falling edge triggered. 8080-interface: Active LOW Read signal.
7-14	DB0 – DB7	MPU	8-bit Bi-directional data bus lines.
15	GND	Power Supply	Ground
16	RES#	MPU	Active LOW Reset signal.
17	CS#	MPU	Active LOW Chip Select signal.
18	GND	Power Supply	Ground
19	BS1	MPU	Interface Select Signal
20	BS2	MPU	Interface Select Signal

4-wire SPI Interface:

Pin No.	Symbol	External Connection	Function Description
1	GND	Power Supply	Ground
2	V _{DD}	Power Supply	Supply Voltage for OLED and logic.
3	NC	-	No Connect
4	D/C#	MPU	Register select signal. D/C=0: Command, D/C=1: Data
5-6	GND	Power Supply	Ground
7	SCLK	MPU	Serial Clock signal.
8	SDIN	MPU	Serial Data Input signal.
9-15	GND	Power Supply	Ground
16	RES#	MPU	Active LOW Reset signal.
17	CS#	MPU	Active LOW Chip Select signal.
18	GND	Power Supply	Ground
19	BS1	MPU	Interface Select Signal
20	BS2	MPU	Interface Select Signal

I²C Interface:

Pin No.	Symbol	External Connection	Function Description
1	GND	Power Supply	Ground
2	V _{DD}	Power Supply	Supply Voltage for OLED and logic.
3	NC	-	No Connect
4	SA0	MPU	Slave Address Selection signal
5-6	GND	Power Supply	Ground
7	SCL	MPU	Serial Clock signal.
8	SDA _{IN}	MPU	Serial Data Input signal
9	SDA _{OUT}	MPU	Serial Data Output signal
10-15	GND	Power Supply	Ground
16	RES#	MPU	Active LOW Reset signal.
17-18	GND	Power Supply	Ground
19	BS1	MPU	Interface Select Signal
20	BS2	MPU	Interface Select Signal

Recommended display connector: 2x10pin 2.54mm pitch



Interface Selection

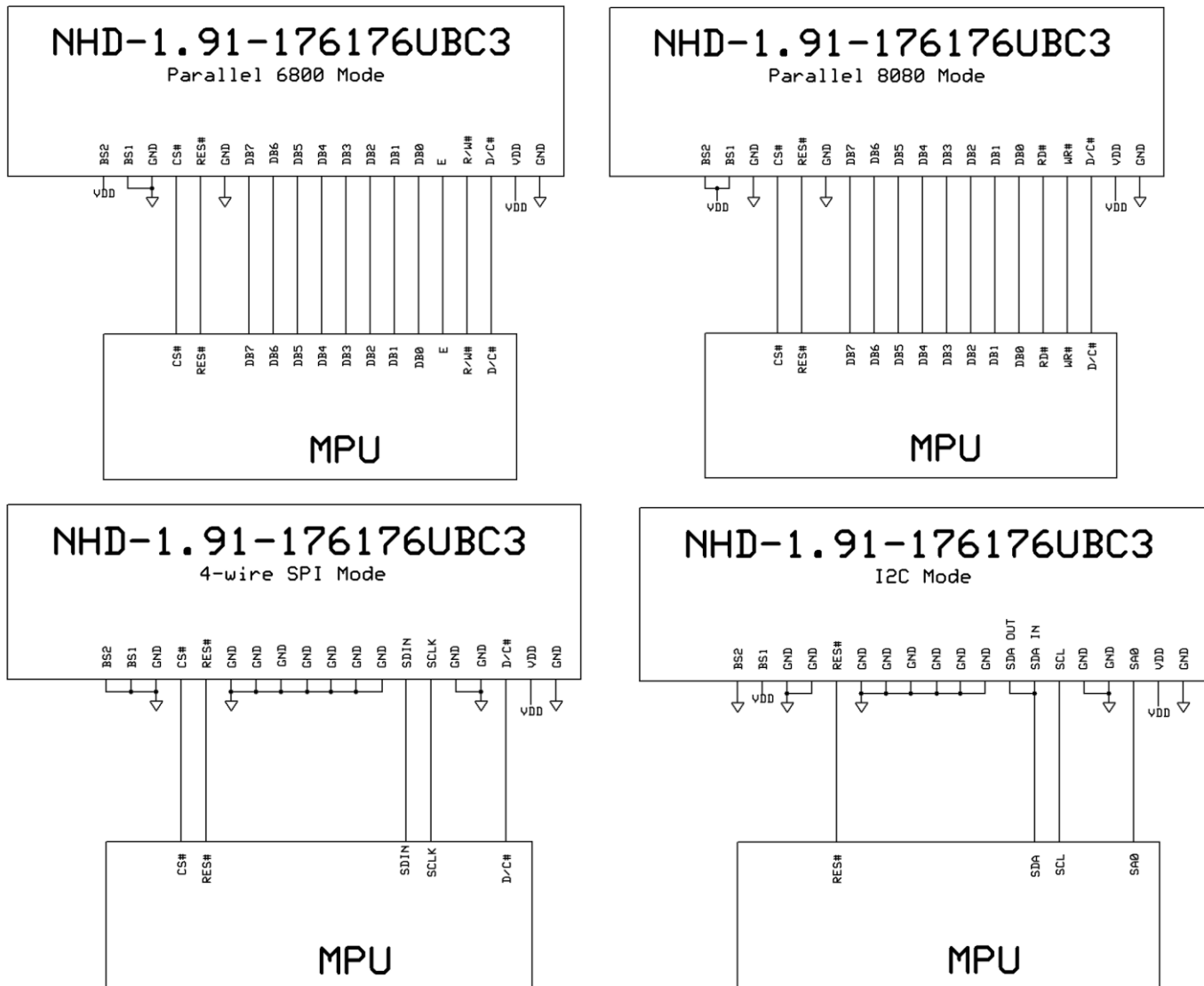
MPU Interface Pin Selections and Assignment Summary

	6800 Parallel	8080 Parallel	4-Wire SPI	I ² C
BS1	0	1	0	1
BS2	1	1	0	0

Bus Interface	Data/Command Interface								Control Signals				
	D7	D6	D5	D4	D3	D2	D1	D0	E	R/W#	CS#	D/C#	RES#
8-bit 6800	D[7:0]								E	R/W#	CS#	D/C#	RES#
8-bit 8080	D[7:0]								RD#	WR#	CS#	D/C#	RES#
4-Wire SPI	Tie Low						SDIN	SCLK	Tie Low		CS#	D/C#	RES#
I ² C	Tie Low					SDA _{OUT}	SDA _{IN}	SCL	Tie Low			SA0	RES#

I²C Interface: SDA_{IN} and SDA_{OUT} are tied together and serve as SDA. The SDA_{IN} pin must be connected to act as SDA. The SDA_{OUT} pin may be disconnected. When SDA_{OUT} pin is disconnected, the acknowledgement signal will be ignored in the I²C-bus.

Wiring Diagram



Electrical Characteristics

Item	Symbol	Condition	Min.	Typ.	Max.	Unit
Operating Temperature Range	T _{OP}	Absolute Max	-40	-	+70	°C
Storage Temperature Range	T _{ST}	Absolute Max	-40	-	+85	°C
Supply Voltage for Logic	V _{DD}	-	2.7	3.3	3.5	V
Supply Current	I _{DD}	V _{DD} =3.3V, 100% ON	-	285	310	mA
Sleep mode Current	I _{DD_SLEEP}	V _{DD} = 3.3V	-	2	10	μA
"H" Level input	V _{IH}	-	0.8*V _{DD}	-	V _{DD}	V
"L" Level input	V _{IL}	-	V _{SS}	-	0.2*V _{DD}	V
"H" Level output	V _{OH}	-	0.9*V _{DD}	-	V _{DD}	V
"L" Level output	V _{OL}	-	V _{SS}	-	0.1*V _{DD}	V

Optical Characteristics

Item	Symbol	Condition	Min.	Typ.	Max.	Unit	
Optimal Viewing Angles	Top	-	-	80	-	°	
	Bottom		-	80	-	°	
	Left		-	80	-	°	
	Right		-	80	-	°	
Contrast Ratio	CR	-	-	>10,000:1	-	-	
Response Time	Rise	-	-	10	-	μs	
	Fall		-	10	-	μs	
Brightness	L _V	-	70	80	-	cd/m ²	
Lifetime	-	80cd/m ² , T _{OP} =25°C, 50% Checkerboard	16,500	-	-	Hrs.	
Chromaticity	Red	X _R	-	0.62	0.66	0.70	-
		Y _R	-	0.29	0.33	0.37	-
	Green	X _G	-	0.26	0.30	0.34	-
		Y _G	-	0.59	0.63	0.67	-
	Blue	X _B	-	0.10	0.14	0.18	-
		Y _B	-	0.14	0.18	0.22	-
	White	X _W	-	0.26	0.30	0.34	-
		Y _W	-	0.29	0.33	0.37	-

Note: Lifetime at typical temperature is based on accelerated high-temperature operation. Lifetime is tested at average 50% pixels on and is rated as Hours until **Half-Brightness**. The Display OFF command can be used to extend the lifetime of the display.

Luminance of active pixels will degrade faster than inactive pixels. Residual (burn-in) images may occur. To avoid this, every pixel should be illuminated uniformly.

Controller information

Built-in SSD1333 Controller: <https://support.newhavendisplay.com/hc/en-us/articles/11256414111767-SSD1333>



Table of Commands

Fundamental Command Table											
D/C#	Hex	D7	D6	D5	D4	D3	D2	D1	D0	Command	Description
0	15	0	0	0	1	0	1	0	1	Set Column Address	A[7:0]: Start Address. [reset=0] B[7:0]: End Address. [reset=175d] Ranges from 0 to 175
1	A[7:0]	A ₇	A ₆	A ₅	A ₄	A ₃	A ₂	A ₁	A ₀		
1	B[7:0]	B ₇	B ₆	B ₅	B ₄	B ₃	B ₂	B ₁	B ₀		
0	75	0	1	1	1	0	1	0	1	Set Row Address	A[7:0]: Start Address. [reset=0] B[7:0]: End Address. [reset=175d] Ranges from 0 to 175
1	A[7:0]	A ₇	A ₆	A ₅	A ₄	A ₃	A ₂	A ₁	A ₀		
1	B[7:0]	B ₇	B ₆	B ₅	B ₄	B ₃	B ₂	B ₁	B ₀		
0	5C	0	1	0	1	1	1	0	0	Write RAM Command	Enable MCU to write Data into RAM
0	5D	0	1	0	1	1	1	0	1	Read RAM Command	Enable MCU to read Data from RAM
0	A0	1	0	1	0	0	0	0	0	Set Re-map / Color Depth (Display RAM to Panel)	A[0]=0b, Horizontal address increment [reset] A[0]=1b, Vertical address increment
1	A[7:0]	A ₇	A ₆	A ₅	A ₄	A ₃	A ₂	A ₁	A ₀		<p>A[1]=0b, Column address 0 is mapped to SEG0 [reset] A[1]=1b, Column address 175 is mapped to SEG0</p> <p>A[2]=0b, Color sequence: A → B → C [reset] A[2]=1b, Color sequence is swapped: C → B → A</p> <p>A[3]=0b, Reserved [reset] A[3]=1b, Reserved</p> <p>A[4]=0b, Scan from COM0 to COM[N-1] [reset] A[4]=1b, Scan from COM[N-1] to COM0. Where N is the Multiplex ratio.</p> <p>A[5]=0b, Disable COM Split Odd Even A[5]=1b, Enable COM Split Odd Even [reset]</p> <p>A[7:6] Set Color Depth, 00b: 256color 01b: 65k color [reset] 10b: 262k color 11b Pseudo 262k color, 16-bit format 2</p> <p>Refer to Product Preview Table 6-7 for details</p>

Fundamental Command Table											
D/C#	Hex	D7	D6	D5	D4	D3	D2	D1	D0	Command	Description
0 1	A1 A[7:0]	1 A ₇	0 A ₆	1 A ₅	0 A ₄	0 A ₃	0 A ₂	0 A ₁	1 A ₀	Set Display Start Line	Set vertical scroll by RAM from 0~175. [reset=00h]
0 1	A2 A[7:0]	1 A ₇	0 A ₆	1 A ₅	0 A ₄	0 A ₃	0 A ₂	1 A ₁	0 A ₀	Set Display Offset	Set vertical scroll by Row from 0-175. [reset=00h]
0	A4~A7	1	0	1	0	0	1	X ₁	X ₀	Set Display Mode	A4h: All OFF A5h: All ON (All pixels have GS63) A6h : Reset to normal display [reset] A7h: Inverse Display (GS0 -> GS63, GS1 -> GS62,)
0	AE~AF	1	0	1	0	1	1	1	X ₀	Set Sleep mode ON/OFF	A Eh = Sleep mode On (Display OFF) A Fh = Sleep mode OFF (Display ON)
0 1	B1 A[7:0]	1 A ₇	0 A ₆	1 A ₅	1 A ₄	0 A ₃	0 A ₂	0 A ₁	1 A ₀	Set Reset (Phase 1) / Pre-charge (Phase 2) period	A[3:0] Phase 1 period of 2~30 DCLK(s) clocks [reset=0100b] A[3:0]: 0 invalid 1 = 2 DCLKs 2 = 4 DCLKs : 15 = 30DCLKs A[7:4] Phase 2 period of 2~30 DCLK(s) clocks [reset=1000b] A[7:4]: 0 invalid 1 = 2 DCLKs 2 = 4 DCLKs : 15 =30DCLKs Note (1) 0 DCLK is invalid in phase 1 & phase 2

Fundamental Command Table

D/C#	Hex	D7	D6	D5	D4	D3	D2	D1	D0	Command	Description																						
0 1	B3 A[7:0]	1 A ₇	0 A ₆	1 A ₅	1 A ₄	0 A ₃	0 A ₂	1 A ₁	1 A ₀	Front Clock Divider (DivSet)/ Oscillator Frequency	A[3:0] [reset=0000b], divide by DIVSET where <table border="1" style="margin-left: 20px;"> <thead> <tr> <th>A[3:0]</th> <th>DIVSET</th> </tr> </thead> <tbody> <tr><td>0000</td><td>divide by 1</td></tr> <tr><td>0001</td><td>divide by 2</td></tr> <tr><td>0010</td><td>divide by 4</td></tr> <tr><td>0011</td><td>divide by 8</td></tr> <tr><td>0100</td><td>divide by 16</td></tr> <tr><td>0101</td><td>divide by 32</td></tr> <tr><td>0110</td><td>divide by 64</td></tr> <tr><td>0111</td><td>divide by 128</td></tr> <tr><td>1000</td><td>divide by 256</td></tr> <tr><td>>=1001</td><td>invalid</td></tr> </tbody> </table> A[7:4] Oscillator frequency, frequency increases as level increases [reset=1001b]	A[3:0]	DIVSET	0000	divide by 1	0001	divide by 2	0010	divide by 4	0011	divide by 8	0100	divide by 16	0101	divide by 32	0110	divide by 64	0111	divide by 128	1000	divide by 256	>=1001	invalid
A[3:0]	DIVSET																																
0000	divide by 1																																
0001	divide by 2																																
0010	divide by 4																																
0011	divide by 8																																
0100	divide by 16																																
0101	divide by 32																																
0110	divide by 64																																
0111	divide by 128																																
1000	divide by 256																																
>=1001	invalid																																
0 1	B6 A[3:0]	1 0	0 0	1 0	1 0	0 A ₃	1 A ₂	0 A ₁	0 A ₀	Set Second Pre-charge Period	A[3:0] Set Second Pre-charge Period 0000b invalid 0001b 1 DCLKS 0010b 2 DCLKS 1000 8 DCLKS [reset] 1111 15 DCLKS																						
0 1 1 1 1 1 1	B8 A1[7:0] A2[7:0] . . . A62[7:0] A63[7:0]	1 A1 ₇ A2 ₇ . . . A62 ₇ A63 ₇	0 A1 ₆ A2 ₆ . . . A62 ₆ A63 ₆	1 A1 ₅ A2 ₅ . . . A62 ₅ A63 ₅	1 A1 ₄ A2 ₄ . . . A62 ₄ A63 ₄	1 A1 ₃ A2 ₃ . . . A62 ₃ A63 ₃	0 A1 ₂ A2 ₂ . . . A62 ₂ A63 ₂	0 A1 ₁ A2 ₁ . . . A62 ₁ A63 ₁	0 A1 ₀ A2 ₀ . . . A62 ₀ A63 ₀	Master Look Up Table for Gray Scale Pulse width (Color A,B,C) Note (¹) 0 ≤ Setting of GS1 < Setting of GS2 < Setting of GS3..... < Setting of GS62 < Setting of GS63 (²) GS0 does not has pre-charge and current drive stages. (³) GS1 can be set as only pre-charge but no current drive stage by input gamma setting for GS1 equals 0. (⁴) When command B8h is input only, color A, B, C will follow the master LUT. (⁵) When command BCh is input, it selects individual LUT for color A, GS1~31A; When command BDh is input, it selects individual LUT for color C, GS1~31C (⁶) To select individual LUT for color B, A and C, command B8h should be input before command BCh and BDh,																							



Fundamental Command Table																															
D/C#	Hex	D7	D6	D5	D4	D3	D2	D1	D0	Command	Description																				
0	B9	1	0	1	1	1	0	0	1	Use Built-in Linear LUT [reset= linear]	Reset to default Look Up Table:																				
											<table border="1"> <thead> <tr> <th>Color A</th> <th>Color B</th> <th>Color C</th> </tr> </thead> <tbody> <tr> <td>GS1A = 0 DCLK</td> <td>GS1B = 0 DCLK</td> <td>GS1C = 0 DCLK</td> </tr> <tr> <td>GS2A = 4 DCLK</td> <td>GS2B = 2 DCLK</td> <td>GS2C = 4 DCLK</td> </tr> <tr> <td>GS3A = 8 DCLK</td> <td>GS3B = 4 DCLK</td> <td>GS3C = 8 DCLK</td> </tr> <tr> <td>...</td> <td>...</td> <td>...</td> </tr> <tr> <td>GS31A = 120 DCLK</td> <td>GS62B = 122 DCLK</td> <td>GS31C = 120 DCLK</td> </tr> <tr> <td></td> <td>GS63B = 124 DCLK</td> <td></td> </tr> </tbody> </table>	Color A	Color B	Color C	GS1A = 0 DCLK	GS1B = 0 DCLK	GS1C = 0 DCLK	GS2A = 4 DCLK	GS2B = 2 DCLK	GS2C = 4 DCLK	GS3A = 8 DCLK	GS3B = 4 DCLK	GS3C = 8 DCLK	GS31A = 120 DCLK	GS62B = 122 DCLK	GS31C = 120 DCLK		GS63B = 124 DCLK
Color A	Color B	Color C																													
GS1A = 0 DCLK	GS1B = 0 DCLK	GS1C = 0 DCLK																													
GS2A = 4 DCLK	GS2B = 2 DCLK	GS2C = 4 DCLK																													
GS3A = 8 DCLK	GS3B = 4 DCLK	GS3C = 8 DCLK																													
...																													
GS31A = 120 DCLK	GS62B = 122 DCLK	GS31C = 120 DCLK																													
	GS63B = 124 DCLK																														
0 1	BB A[4:0]	1 0	0 0	1 0	1 A ₄	1 A ₃	0 A ₂	1 A ₁	1 A ₀	Set Pre-charge voltage	Set pre-charge voltage level. [reset = 01111b]																				
											<table border="1"> <thead> <tr> <th>A[4:0]</th> <th>Hex code</th> <th>pre-charge voltage</th> </tr> </thead> <tbody> <tr> <td>00000</td> <td>00h</td> <td>0.10 x V_{CC}</td> </tr> <tr> <td>:</td> <td>:</td> <td>:</td> </tr> <tr> <td>10111</td> <td>17h</td> <td>0.40 x V_{CC} [reset]</td> </tr> <tr> <td>:</td> <td>:</td> <td>:</td> </tr> <tr> <td>11111</td> <td>1Fh</td> <td>0.5133 x V_{CC}</td> </tr> </tbody> </table> <p>Note ⁽¹⁾Pre-charge voltage level must be smaller than COM deselect voltage level</p>	A[4:0]	Hex code	pre-charge voltage	00000	00h	0.10 x V _{CC}	:	:	:	10111	17h	0.40 x V _{CC} [reset]	:	:	:	11111	1Fh	0.5133 x V _{CC}		
A[4:0]	Hex code	pre-charge voltage																													
00000	00h	0.10 x V _{CC}																													
:	:	:																													
10111	17h	0.40 x V _{CC} [reset]																													
:	:	:																													
11111	1Fh	0.5133 x V _{CC}																													
0 1 1 1 1 1 1 1	BC A1[7:0] A2[7:0] . . . A30[7:0] A31[7:0]	1 A ₁₇ A ₂₇ . . . A ₃₀₇ A ₃₁₇	0 A ₁₆ A ₂₆ . . . A ₃₀₆ A ₃₁₆	1 A ₁₅ A ₂₅ . . . A ₃₀₅ A ₃₁₅	1 A ₁₄ A ₂₄ . . . A ₃₀₄ A ₃₁₄	1 A ₁₃ A ₂₃ . . . A ₃₀₃ A ₃₁₃	1 A ₁₂ A ₂₂ . . . A ₃₀₂ A ₃₁₂	0 A ₁₁ A ₂₁ . . . A ₃₀₁ A ₃₁₁	0 A ₁₀ A ₂₀ . . . A ₃₀₀ A ₃₁₀	Individual Look Up Table for Gray Scale Pulse width (Color A)	The next 31 data bytes define Gray Scale (GS) Table by setting the gray scale pulse width in unit of DCLK's (ranges from 0d ~ 180d) for color A.																				
											<p>A1[7:0]: Gamma Setting for GS1A, A2[7:0]: Gamma Setting for GS2A, : A30[7:0]: Gamma Setting for GS30A, A31[7:0]: Gamma Setting for GS31A</p> <p>Note ⁽¹⁾ 0 ≤ Setting of GS1 < Setting of GS2 < Setting of GS3..... < Setting of GS30 < Setting of GS31 ⁽²⁾ GS0 does not has pre-charge and current drive stages. ⁽³⁾ GS1 can be set as only pre-charge but no current drive stage by input gamma setting for GS1 equals 0. ⁽⁴⁾ When command B8h is input, it selects one LUT for color A, B and C. i.e. GS1~31A, GS1~63B and GS1~31C are updated. ⁽⁵⁾ Command B8h should be input before command BCh and BDh to select individual LUT for color B, A and C.</p>																				

Fundamental Command Table

D/C#	Hex	D7	D6	D5	D4	D3	D2	D1	D0	Command	Description																			
0	BD	1	0	1	1	1	1	0	1	Individual Look Up Table for Gray Scale Pulse width (Color C)	The next 31 data bytes define Gray Scale (GS) Table by setting the gray scale pulse width in unit of DCLK's (ranges from 0d ~ 180d) for color C. A1[7:0]: Gamma Setting for GS1C, A2[7:0]: Gamma Setting for GS2C, : A30[7:0]: Gamma Setting for GS30C, A31[7:0]: Gamma Setting for GS31C Note (1) 0 ≤ Setting of GS1 < Setting of GS2 < Setting of GS3..... < Setting of GS30 < Setting of GS31 (2) GS0 does not has pre-charge and current drive stages. (3) GS1 can be set as only pre-charge but no current drive stage by input gamma setting for GS1 equals 0. (4) When command B8h is input, it selects one LUT for color A, B and C. i.e. GS1~31A, GS1~63B and GS1~31C are updated. (5) Command B8h should be input before command BCh and BDh to select individual LUT for color B, A and C.																			
1	A1[7:0]	A1 ₇	A1 ₆	A1 ₅	A1 ₄	A1 ₃	A1 ₂	A1 ₁	A1 ₀																					
1	A2[7:0]	A2 ₇	A2 ₆	A2 ₅	A2 ₄	A2 ₃	A2 ₂	A2 ₁	A2 ₀																					
1																					
1																					
1																					
1	A30[7:0]	A30 ₇	A30 ₆	A30 ₅	A30 ₄	A30 ₃	A30 ₂	A30 ₁	A30 ₀																					
1	A31[7:0]	A31 ₇	A31 ₆	A31 ₅	A31 ₄	A31 ₃	A31 ₂	A31 ₁	A31 ₀																					
0	BE	1	0	1	1	1	1	1	0	Set V _{COMB} Voltage	Set COM deselect voltage level [reset = 05h]																			
1	A[2:0]	0	0	0	0	0	A ₂	A ₁	A ₀																					
		<table border="1"> <thead> <tr> <th>A[2:0]</th> <th>Hex code</th> <th>V_{COMB}</th> </tr> </thead> <tbody> <tr> <td>000</td> <td>00h</td> <td>0.72 x V_{CC}</td> </tr> <tr> <td>:</td> <td>:</td> <td>:</td> </tr> <tr> <td>101</td> <td>05h</td> <td>0.82 x V_{CC} [reset]</td> </tr> <tr> <td>:</td> <td>:</td> <td>:</td> </tr> <tr> <td>111</td> <td>07h</td> <td>0.86 x V_{CC}</td> </tr> </tbody> </table>			A[2:0]	Hex code	V _{COMB}	000	00h	0.72 x V _{CC}	:	:	:	101	05h	0.82 x V _{CC} [reset]	:	:	:	111	07h	0.86 x V _{CC}								
A[2:0]	Hex code	V _{COMB}																												
000	00h	0.72 x V _{CC}																												
:	:	:																												
101	05h	0.82 x V _{CC} [reset]																												
:	:	:																												
111	07h	0.86 x V _{CC}																												
0	C1	1	1	0	0	0	0	0	1	Set Contrast Current for Color A,B,C	A[7:0] Contrast Value Color A [reset=7Fh] B[7:0] Contrast Value Color B [reset=7Fh] C[7:0] Contrast Value Color C [reset=7Fh]																			
1	A[7:0]	A ₇	A ₆	A ₅	A ₄	A ₃	A ₂	A ₁	A ₀																					
1	B[7:0]	B ₇	B ₆	B ₅	B ₄	B ₃	B ₂	B ₁	B ₀																					
1	C[7:0]	C ₇	C ₆	C ₅	C ₄	C ₃	C ₂	C ₁	C ₀																					
0	C7	1	1	0	0	0	1	1	1	Master Contrast Current Control	A[3:0] : 0000b reduce output currents for all colors to 1/16 0001b reduce output currents for all colors to 2/16 1110b reduce output currents for all colors to 15/16 1111b no change [reset]																			
1	A[3:0]	0	0	0	0	A ₃	A ₂	A ₁	A ₀																					
0	CA	1	1	0	0	1	0	1	0	Set MUX Ratio	A[6:0] MUX ratio 4MUX ~ 176MUX, [reset=175] (Ranges from 3 to 175)																			
1	A[7:0]	A ₇	A ₆	A ₅	A ₄	A ₃	A ₂	A ₁	A ₀																					
0	E3	1	1	1	0	0	0	1	1	NOP	Command for No Operation																			

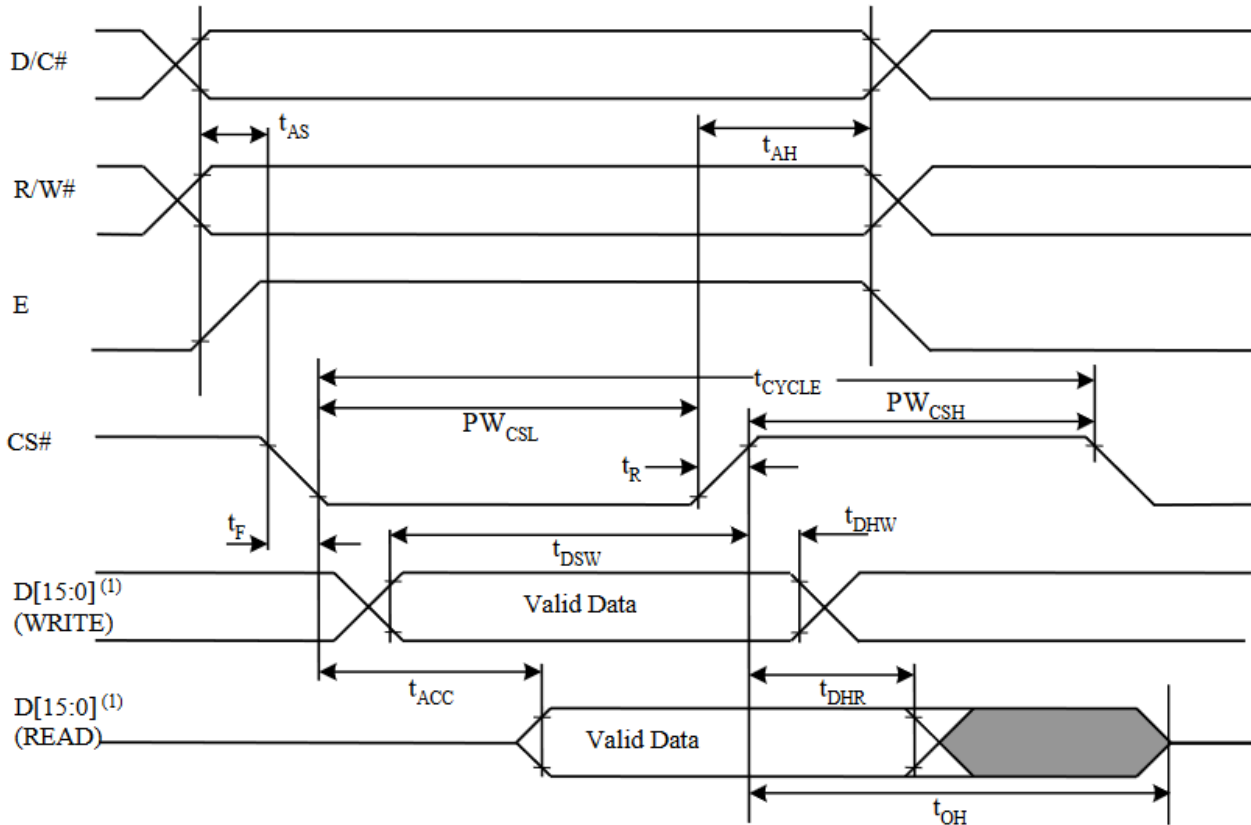
Fundamental Command Table											
D/C#	Hex	D7	D6	D5	D4	D3	D2	D1	D0	Command	Description
0	FD	1	1	1	1	1	1	0	1	Set Command Lock	A[7:0]: MCU protection status [reset = 12h]
1	A[7:0]	A ₇	A ₆	A ₅	A ₄	A ₃	A ₂	A ₁	A ₀		A[7:0] = 12h, Unlock OLED driver IC MCU interface from entering command [reset] A[7:0] = 16h, Lock OLED driver IC MCU interface from entering command
											Note ⁽¹⁾ The locked OLED driver IC MCU interface prohibits all commands and memory access except the FDh command.

Note
⁽¹⁾ “*” stands for “Don’t care”.

Timing Characteristics

6800-Series MCU Parallel Interface:

Symbol	Parameter	Min	Typ	Max	Unit
t_{CYCLE}	Clock Cycle Time (write)	300	-	-	ns
t_{AS}	Address Setup Time	24	-	-	ns
t_{AH}	Address Hold Time	0	-	-	ns
t_{DSW}	Write Data Setup Time	40	-	-	ns
t_{DHW}	Write Data Hold Time	20	-	-	ns
t_{DHR}	Read Data Hold Time	20	-	-	ns
t_{OH}	Output Disable Time	-	-	70	ns
t_{ACC}	Access Time	-	-	180	ns
PW_{CSL}	Chip Select Low Pulse Width (read) Chip Select Low Pulse Width (write)	160 60	-	-	ns
PW_{CSH}	Chip Select High Pulse Width (read) Chip Select High Pulse Width (write)	60 60	-	-	ns
t_R	Rise Time	-	-	15	ns
t_F	Fall Time	-	-	15	ns

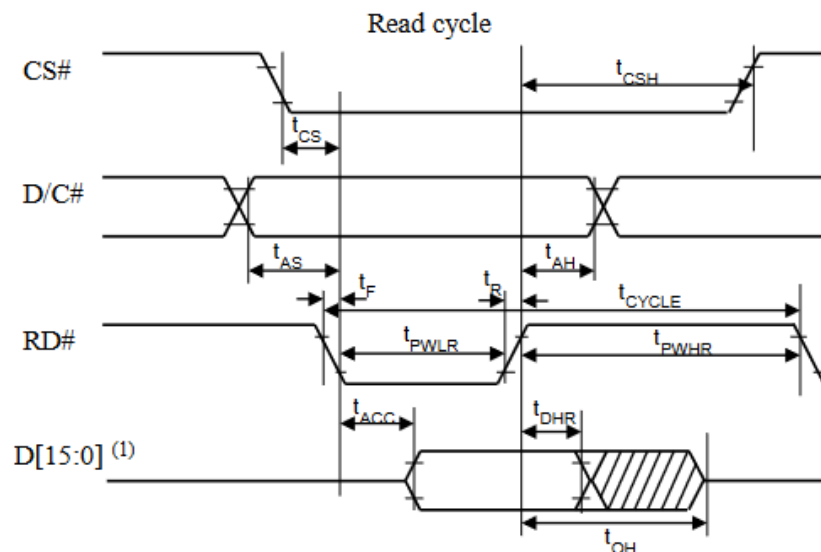
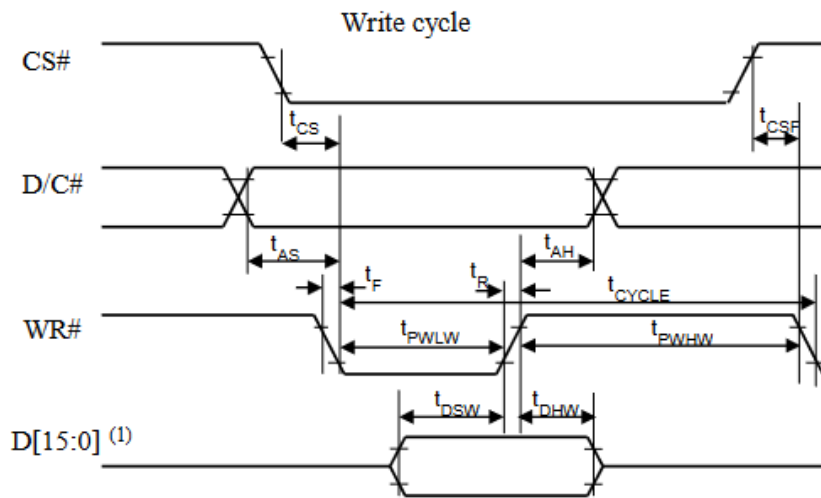


Note

⁽¹⁾ when 8 bit used: D[7:0] instead; when 16 bit used: D[15:0] instead.

8080-Series MCU Parallel Interface:

Symbol	Parameter	Min	Typ	Max	Unit
t_{CYCLE}	Clock Cycle Time (write)	300	-	-	ns
t_{AS}	Address Setup Time	10	-	-	ns
t_{AH}	Address Hold Time	0	-	-	ns
t_{DSW}	Write Data Setup Time	40	-	-	ns
t_{DHW}	Write Data Hold Time	20	-	-	ns
t_{DHR}	Read Data Hold Time	20	-	-	ns
t_{OH}	Output Disable Time	-	-	46	ns
t_{ACC}	Access Time	-	-	180	ns
t_{PWLW}	Read Low Time	160	-	-	ns
t_{PWLW}	Write Low Time	60	-	-	ns
t_{PWHW}	Read High Time	60	-	-	ns
t_{PWHW}	Write High Time	60	-	-	ns
t_R	Rise Time	-	-	15	ns
t_F	Fall Time	-	-	15	ns
t_{CS}	Chip select setup time	0	-	-	ns
t_{CSH}	Chip select hold time to read signal	0	-	-	ns
t_{CSF}	Chip select hold time	20	-	-	ns

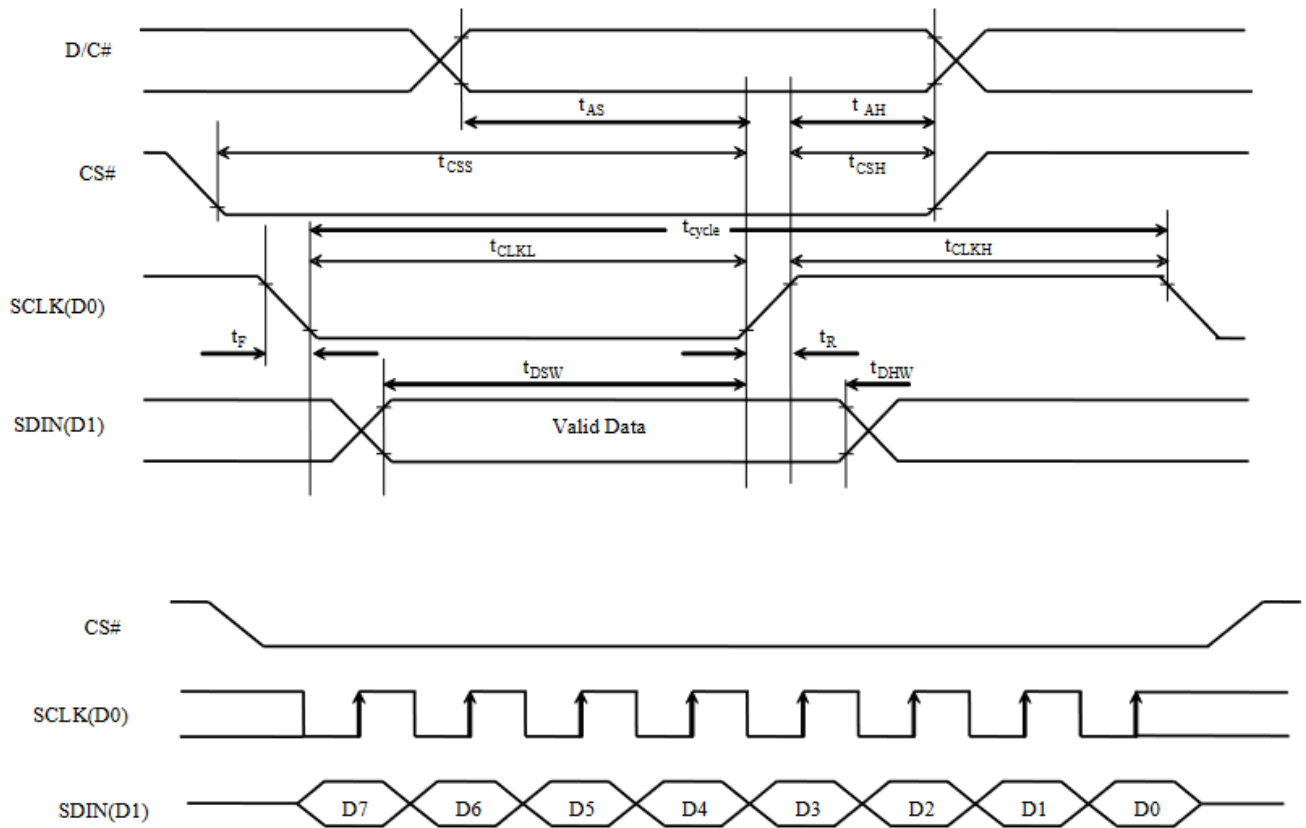

Note

⁽¹⁾ when 8 bit used: D[7:0] instead; when 16 bit used: [15:0] instead.



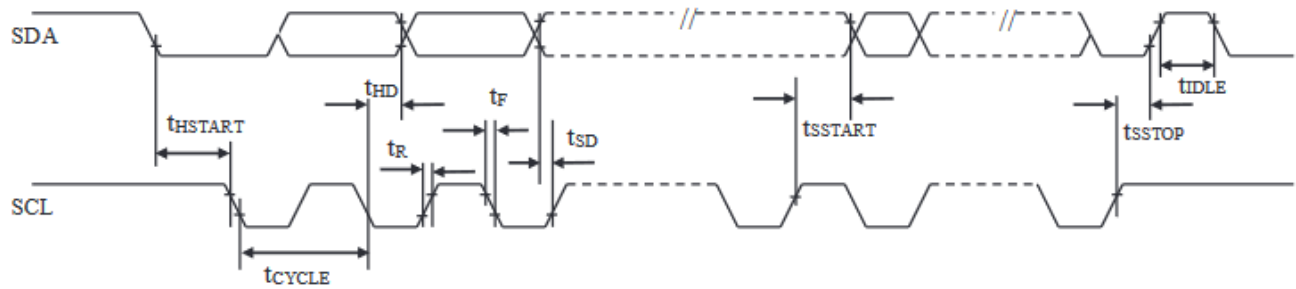
4-wire SPI:

Symbol	Parameter	Min	Typ	Max	Unit
t_{cycle}	Clock Cycle Time	100	-	-	ns
t_{AS}	Address Setup Time	15	-	-	ns
t_{AH}	Address Hold Time	42	-	-	ns
t_{CSS}	Chip Select Setup Time	20	-	-	ns
t_{CSH}	Chip Select Hold Time	20	-	-	ns
t_{DSW}	Write Data Setup Time	15	-	-	ns
t_{DHW}	Write Data Hold Time	25	-	-	ns
t_{CLKL}	Clock Low Time	30	-	-	ns
t_{CLKH}	Clock High Time	30	-	-	ns
t_{R}	Rise Time	-	-	15	ns
t_{F}	Fall Time	-	-	15	ns



I2C:

Symbol	Parameter	Min	Typ	Max	Unit
t_{cycle}	Clock Cycle Time	2.5	-	-	us
t_{HSTART}	Start condition Hold Time	0.6	-	-	us
t_{HD}	Data Hold Time (for "SDA _{OUT} " pin)	0	-	-	ns
	Data Hold Time (for "SDA _{IN} " pin)	300	-	-	ns
t_{SD}	Data Setup Time	100	-	-	ns
t_{SSTART}	Start condition Setup Time (Only relevant for a repeated Start condition)	0.6	-	-	us
t_{SSTOP}	Stop condition Setup Time	0.6	-	-	us
t_{R}	Rise Time for data and clock pin	-	-	300	ns
t_{F}	Fall Time for data and clock pin	-	-	300	ns
t_{IDLE}	Idle Time before a new transmission can start	1.3	-	-	us

Figure 9-5 : I²C interface Timing characteristics


Example Initialization Sequence

```

void Init_OLED(void)
{
    digitalWrite(P16,LOW);          //RES
    delay(10);
    digitalWrite(P16,HIGH);        //RES
    Set_Command_Lock(0x12);        // Unlock Driver IC
    Set_Display_On_Off(0xAE);      // Display Off
    Set_Remap_Format(0x64);        // Set Horizontal Address Increment
    Set_Start_Line(0x00);          // Set Mapping RAM Display Start Line
    Set_Display_Offset(0x00);      // Shift Mapping RAM Counter
    Set_Display_Mode(0xA6);        // Normal Display Mode
    Set_Phase_Length(0x24);
    Set_Display_Clock(0x80);
    Set_Precharge_Period(0x0F);    // Set Second Pre-Charge Period
    Set_Precharge_Voltage(0x1F);   // Set Pre-Charge Voltage Level as 0.40*VCC
    Set_VCOMH(0x05);              // Set Common Pins Deselect Voltage Level as
0.82*VCC
    Set_Contrast_Color(0x3C,0x39,0x43); // Set Contrast of Color A
    Set_Master_Current(0x0F);      // Set Scale Factor of Segment Output Current
Control
    Set_Multiplex_Ratio(0xAF);      // 1/128 Duty (Max_Row)
    command(0xB8);                 //Gamma Look-Up Table
    data(0x00); //1
    data(0x02); //2
    data(0x04); //3
    data(0x06); //4
    data(0x07); //5
    data(0x08); //6
    data(0x09); //7
    data(0x0a); //8
    data(0x0b); //9
    data(0x0c); //10
    data(0x0d); //11
    data(0x0e); //12
    data(0x10); //13
    data(0x11); //14
    data(0x12); //15
    data(0x14); //16
    data(0x15); //17
    data(0x16); //18
    data(0x18); //19
    data(0x1a); //20
    data(0x1b); //21
    data(0x1d); //22
    data(0x1f); //23
    data(0x20); //24
    data(0x22); //25
    data(0x24); //26
    data(0x26); //27
    data(0x27); //28
    data(0x29); //29
    data(0x2b); //30
    data(0x2d); //31
    data(0x2f); //32
    data(0x31); //33
    data(0x33); //34
    data(0x35); //35
    data(0x37); //36
    data(0x39); //37

```



```
data(0x3b); //38
data(0x3d); //39
data(0x3f); //40
data(0x42); //41
data(0x44); //42
data(0x46); //43
data(0x48); //44
data(0x4b); //45
data(0x4d); //46
data(0x50); //47
data(0x52); //48
data(0x55); //49
data(0x57); //50
data(0x5a); //51
data(0x5b); //52
data(0x5f); //53
data(0x62); //54
data(0x65); //55
data(0x67); //56
data(0x6a); //57
data(0x6d); //58
data(0x70); //59
data(0x73); //60
data(0x76); //61
data(0x79); //62
data(0x7c); //63
Set_Display_On_Off(0xAF);           // Display On
}
```


Quality Information

Test Item	Content of Test	Test Condition	Note
High Temperature storage	Test the endurance of the display at high storage temperature.	+85°C, 240hrs	2
Low Temperature storage	Test the endurance of the display at low storage temperature.	-40°C, 240hrs	1,2
High Temperature Operation	Test the endurance of the display by applying electric stress (voltage & current) at high temperature.	+70°C, 240hrs	2
Low Temperature Operation	Test the endurance of the display by applying electric stress (voltage & current) at low temperature.	-40°C, 240hrs	1,2
High Temperature / Humidity Operation	Test the endurance of the display by applying electric stress (voltage & current) at high temperature with high humidity.	+65°C, 90% RH, 96hrs	1,2
Thermal Shock resistance	Test the endurance of the display by applying electric stress (voltage & current) during a cycle of low and high temperatures.	-40°C, 30min-> 85°C,30min = 1 cycle 20 cycles	
Vibration test	Test the endurance of the display by applying vibration to simulate transportation and use.	5-50Hz, 0.5G 2hrs in each of 3 directions X,Y,Z	3
Static electricity test	Test the endurance of the display by applying electric static discharge.	Air discharge ±8kV 10 times	

Note 1: No condensation to be observed.

Note 2: Conducted after 2 hours of storage at 25°C, 0%RH.

Note 3: Test performed on product itself, not inside a container.